



This drawing must not be scaled. The contractor shall verify all dimensions and other data on site prior to commencement of work. Discrepancies, errors, and omissions are to be reported to Public City Architecture Inc. prior to proceeding with the Work.
Drawings and specifications as instruments of service are the property of Public City Architecture Inc. the copyright in the same being reserved.
No reproduction or revision to these drawings may be made without the permission of Public City Architecture Inc. and when made, must bear their name. All prints to be returned to Public City Architecture Inc. upon request.

Project
St. John's Library Renovation

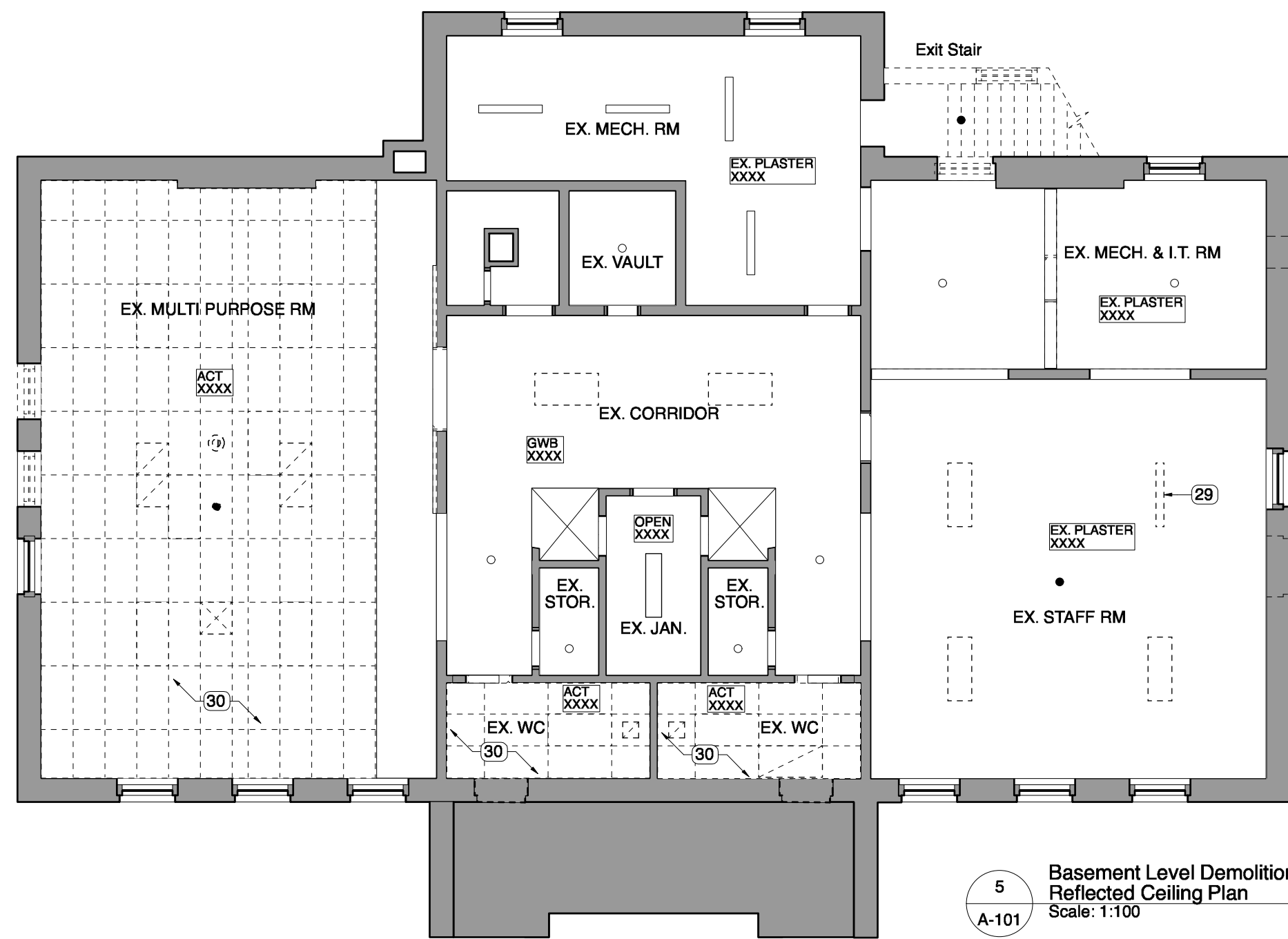
Drawing
Demolition Plans

Drawn By
TH
Scale
As Noted

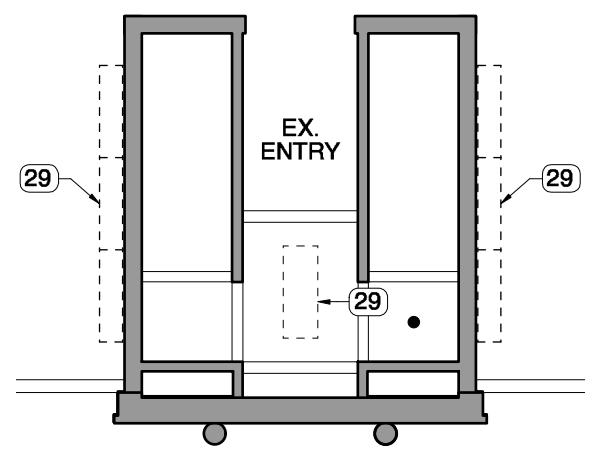
Reviewed By
PS
Drawing No.
A-101

Date
2016.07.18

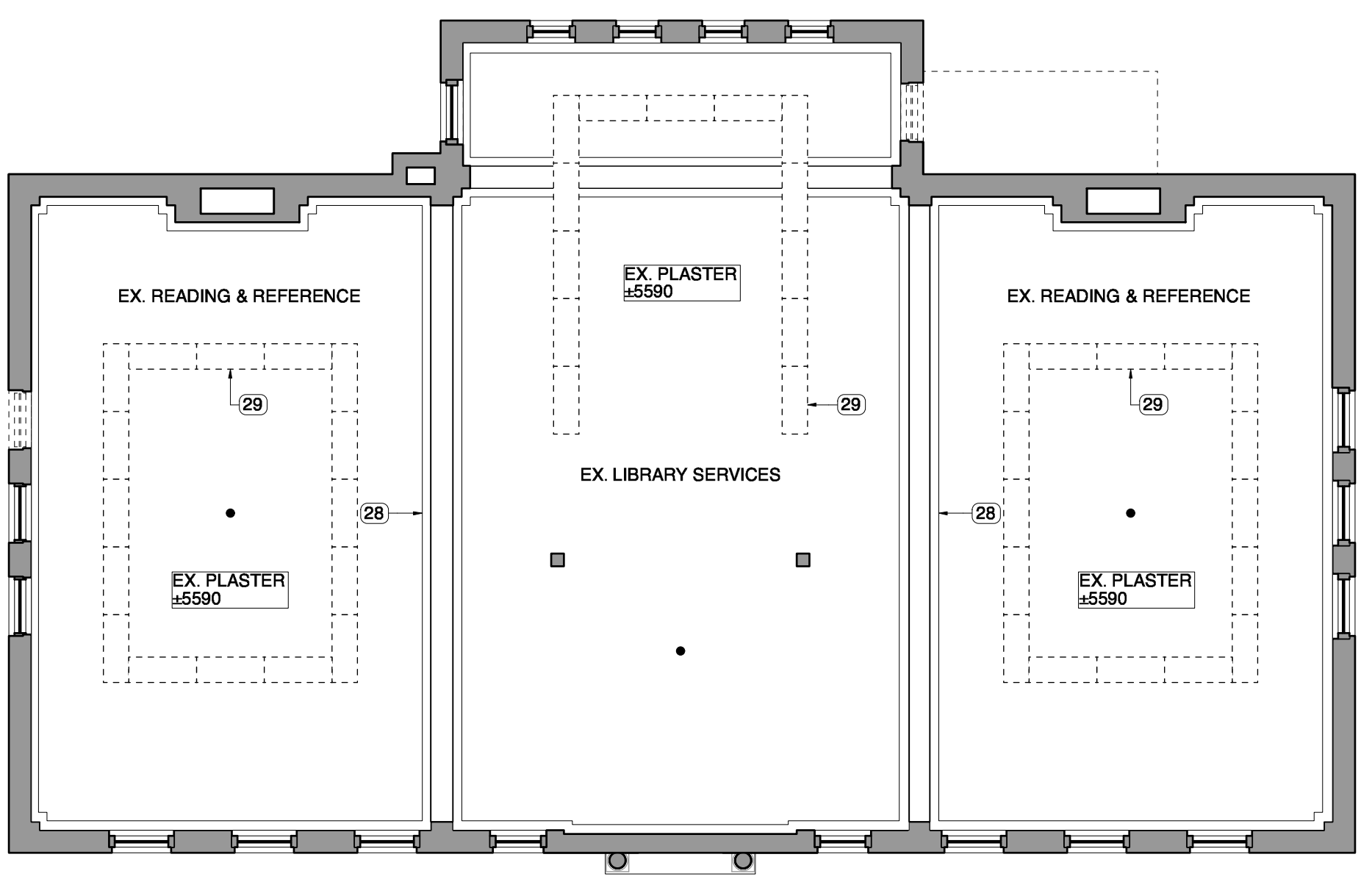
Project No.
1503b



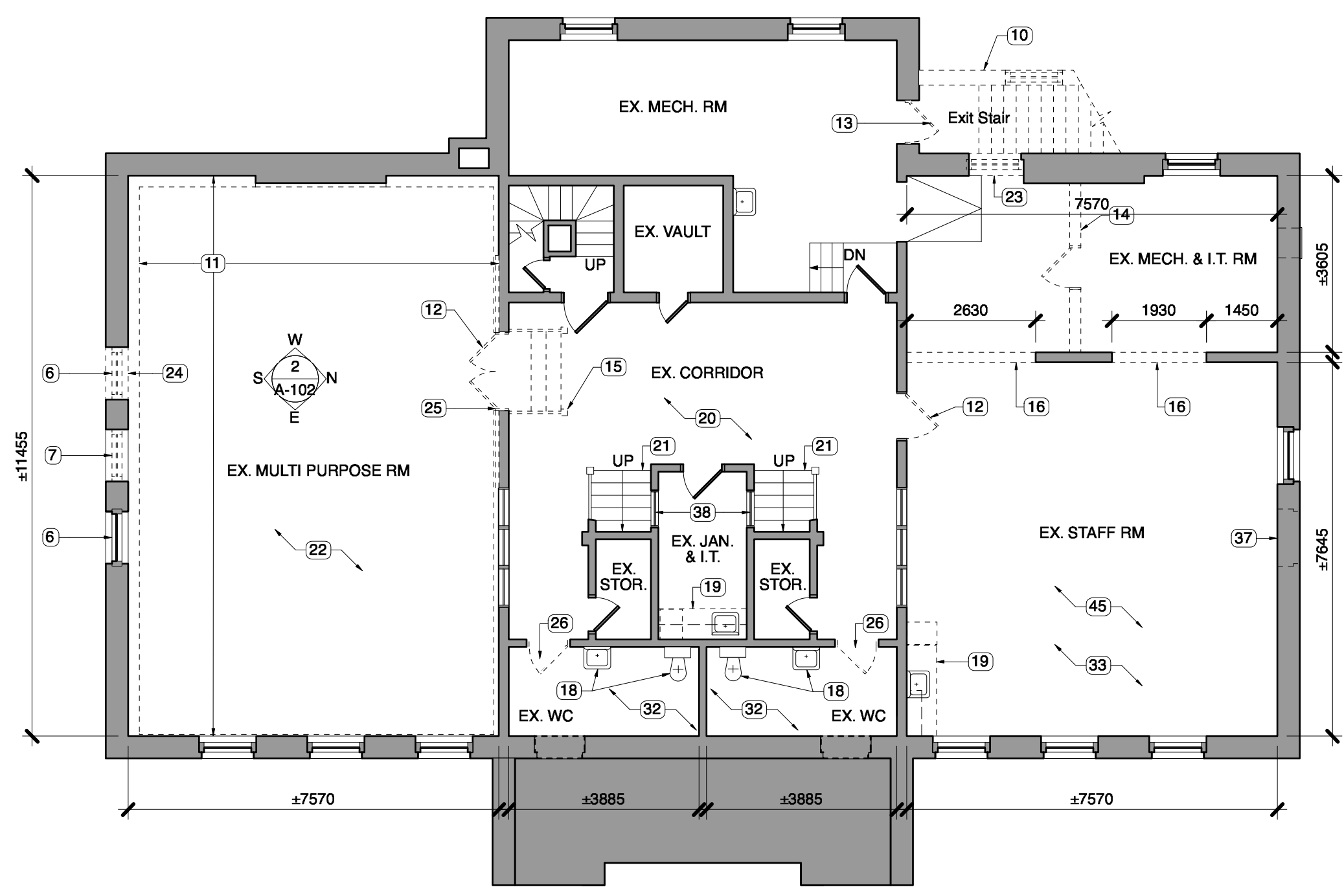
5 Basement Level Demolition Reflected Ceiling Plan Scale: 1:100 A-101



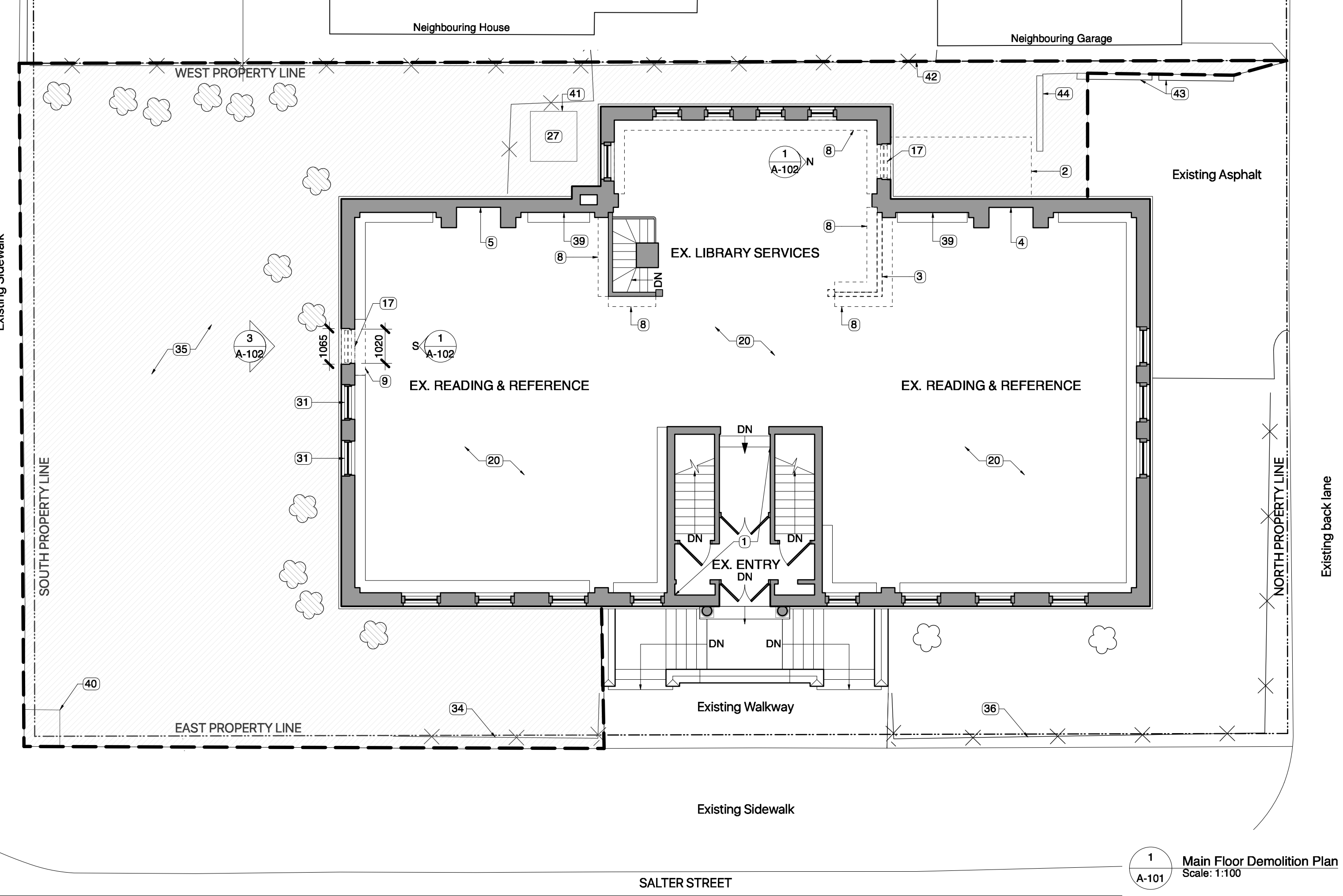
4 Entry Level Demolition Reflected Ceiling Plan Scale: 1:100 A-101



3 Main Level Demolition Reflected Ceiling Plan Scale: 1:100 A-101



2 Basement Level Demolition Plan Scale: 1:100 A-101



1 Main Floor Demolition Plan Scale: 1:100 A-101

DEMOLITION PLAN KEYNOTES

1. Existing ceramic floor tile at entry to remain.
2. Existing stair enclosure to be demolished.
3. Existing partial height wall to be demolished. Patch and make good affected surfaces to match existing. Salvage wood trim and paneling for reuse.
4. Existing electric fireplace to be removed and replaced with new electric new fireplace. Coordinate with Electrical.
5. Existing opening to be prepared to receive new electric new fireplace. Coordinate with Electrical.
6. Existing window, wrought iron screen and wood trim to be removed and salvaged.
7. Existing window and mechanical unit to be removed. Prepare rough opening to receive new interior glazing. Coordinate with Mechanical.
8. Existing bookshelves shown dashed to be removed. Patch and make good surfaces to remain to match existing. Salvage all removed wood for reuse.
9. Existing bookshelf module in front of window to be removed. Salvage for reuse. Patch and make good exposed ends of existing shelves to remain.
10. Existing concrete exit stair shown dashed to be demolished.
11. Existing plaster/GWB and furring to be demolished including existing half wall and wood ledge shown dashed. Salvage all removed trim for reuse.
12. Existing door and hardware to be removed and turned over to Owner.
13. Existing door and frame to be removed, including exit hardware and associated electrical. Prepare opening for new infill wall.
14. Existing wall to be demolished.
15. Existing stairs and handrails to be removed.
16. New opening in existing wall. Score and remove painted plaster with hand tools. Dispose of debris with bulk of demolition waste. Coordinate removal and relocation of existing surface piping with Mechanical. Refer to Structural for intel requirements.
17. Existing window, including wall, to be removed down to top of structural floor. Salvage all interior trim for use elsewhere.
18. Existing plumbing fixtures to be demolished. Coordinate with Mechanical.
19. Existing upper and lower cabinets, including sink, to be demolished. Coordinate with Mechanical.
20. Existing carpet and underlying vinyl tile to be removed. Refer to Demolition Notes for areas with asbestos containing materials. Prepare surfaces to receive new finishes. Refer to Room Finish Schedule.
21. Existing carpet on stairs to be removed.
22. Refer to Structural for work to existing floor slab.
23. Existing window to be removed and salvaged. Saw cut wall down to new floor height.
24. Existing window opening to be saw cut to create new door opening. Coordinate with Structural.
25. Existing casework around entire door to be removed and salvaged for reinstallation to suit new floor height. Enlarge opening to suit new floor height. Refer to Structural for new intel requirements.
26. Existing door and casework to be removed and salvaged for reinstallation in existing opening with flipped door swing.
27. Existing A/C unit to be removed. Coordinate with Mechanical and Electrical.
28. Existing air transfer grille including relief duct in attic to be removed. Patch and make good roof and interior surfaces affected to match existing. Coordinate with Mechanical.
29. Existing light fixtures shown dashed to be replaced. Patch and make good ceilings to remain exposed. Coordinate with Electrical. Typical.
30. Existing ACT, including fixtures, to be demolished. Coordinate with Mechanical and Electrical for removal and replacement of fixtures and devices.

GENERAL DEMOLITION NOTES

1. All existing wood trim and casing is noted as protected in the Heritage Building Report. All affected trim to remain is to be patched and made good to match existing. All removed trim to be salvaged and turned over to Owner unless otherwise noted.
2. Asbestos containing materials (ACMs) are suspected in the following locations affected by demolition and construction:
 - .1 Vinyl floor tiles - present under carpet in the main floor library area and under carpet on the stairs to the basement.
3. Lead based paint is present in the following locations affected by demolition and construction:
 - .1 Basement - Walls of existing staff room.
4. All existing surface mounted telecommunications wiring to be removed and rerouted in a concealed manner, either through bulkheads or new walls. Coordinate with Contract Administrator.
5. All existing bubble mirrors, artwork, posters, clocks, bulletin boards, banners, etc. to be removed and securely stored prior to demolition.
6. Existing blinds to be removed from all windows.
7. Salvage and store all removed brick and tyndall/limestone masonry for re-use in this project.
8. If power equipment is to be used for excavation on this project the contractor must:
 - a) notify all utilities of the proposed location of excavation.
 - b) take precaution to avoid damage to all utilities.
9. Confirmation of existence and exact location of all services must be obtained from the individual utilities before proceeding with construction.
10. Contractor to confirm all existing conditions, dimensions and materials on site and report any discrepancies to the contract administrator prior to construction.
11. Construction access to be limited to the routes specified on drawing.
12. Contractor to layout extents of Work for approval prior to construction.
13. Dispose of removed materials, except where specified otherwise, in accordance with authority having jurisdiction.
14. All existing trees, shrubs, sidewalks, curbs, sod, utilities and paving to be protected (unless otherwise noted) during construction to City of Winnipeg standards. Contractor to make good all area damaged during construction both on and off site to City of Winnipeg standards at the contractor's cost.
15. Existing grades, building locations and layouts are given as information only and should be verified on site. report any discrepancies to contract administrator prior to construction.

LEGEND

