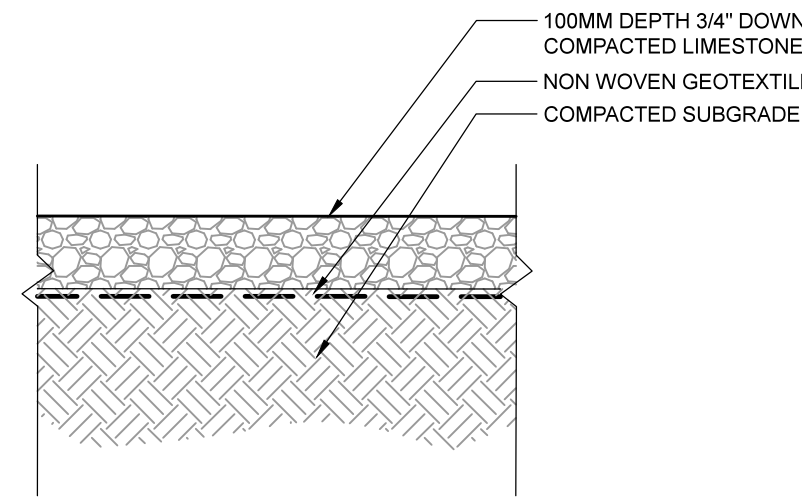
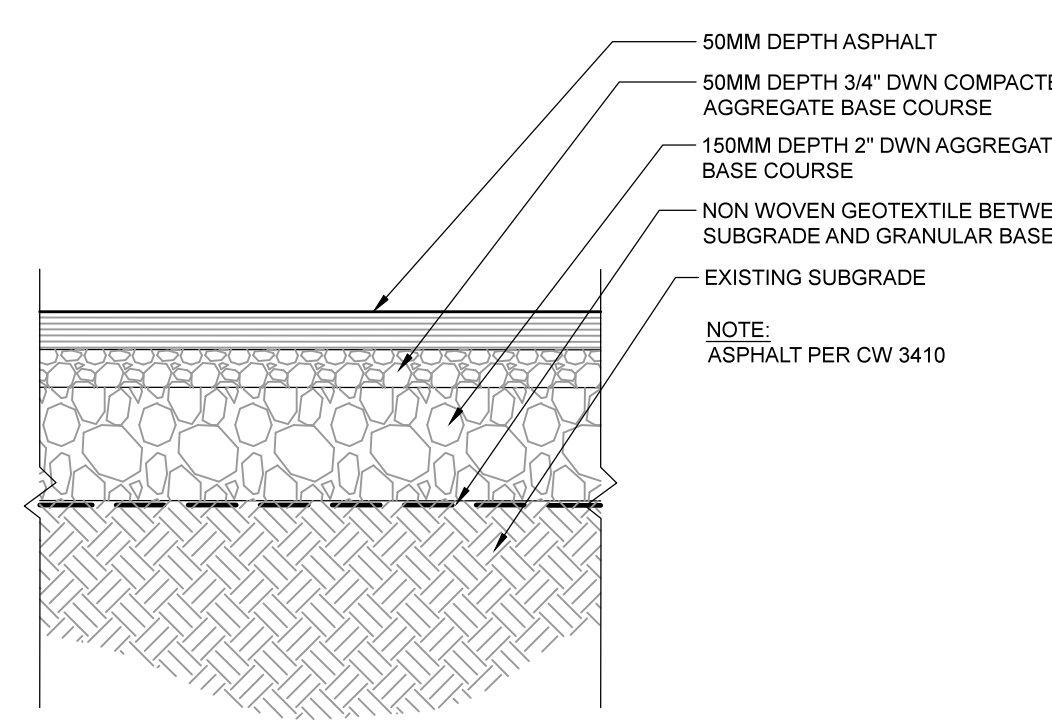


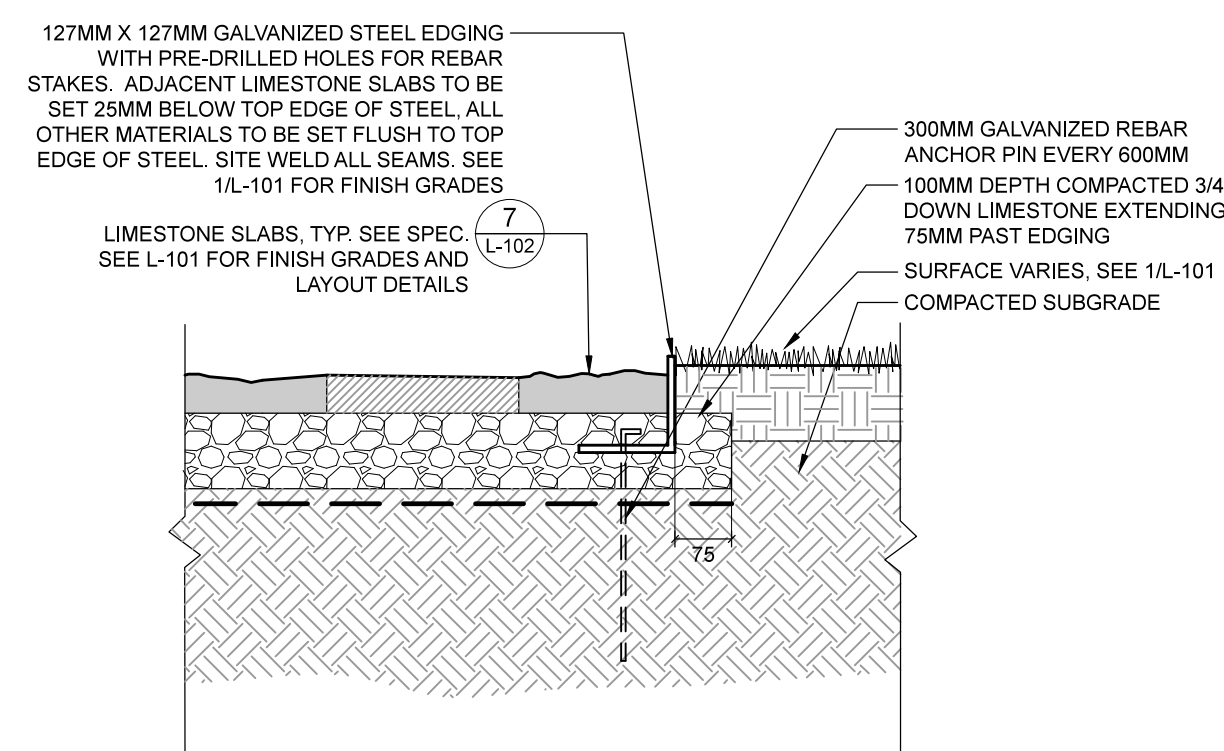
**1 CIP CONCRETE SURFACING, TYP.**  
 SCALE 1:10 (@ 24 X 36)



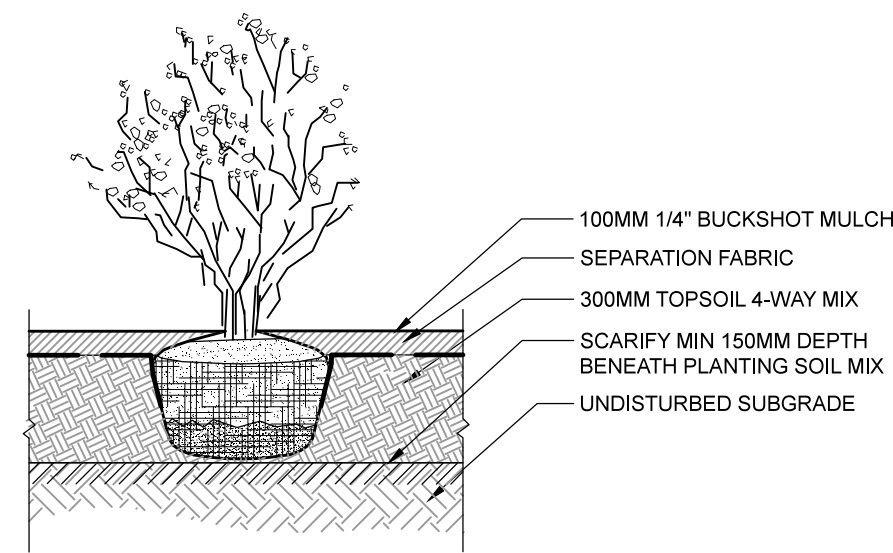
**2 COMPACTED LIMESTONE SURFACING, TYP.**  
 SCALE 1:10 (@ 24 X 36)



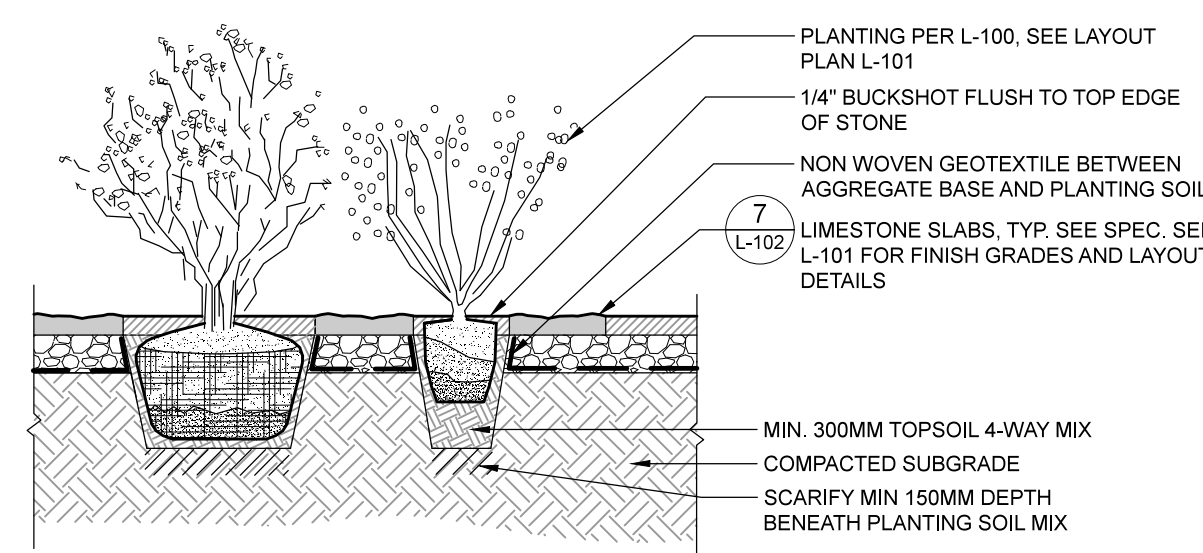
**3 NEW ASPHALT PAVING, TYP.**  
 SCALE 1:10 (@ 24 X 36)



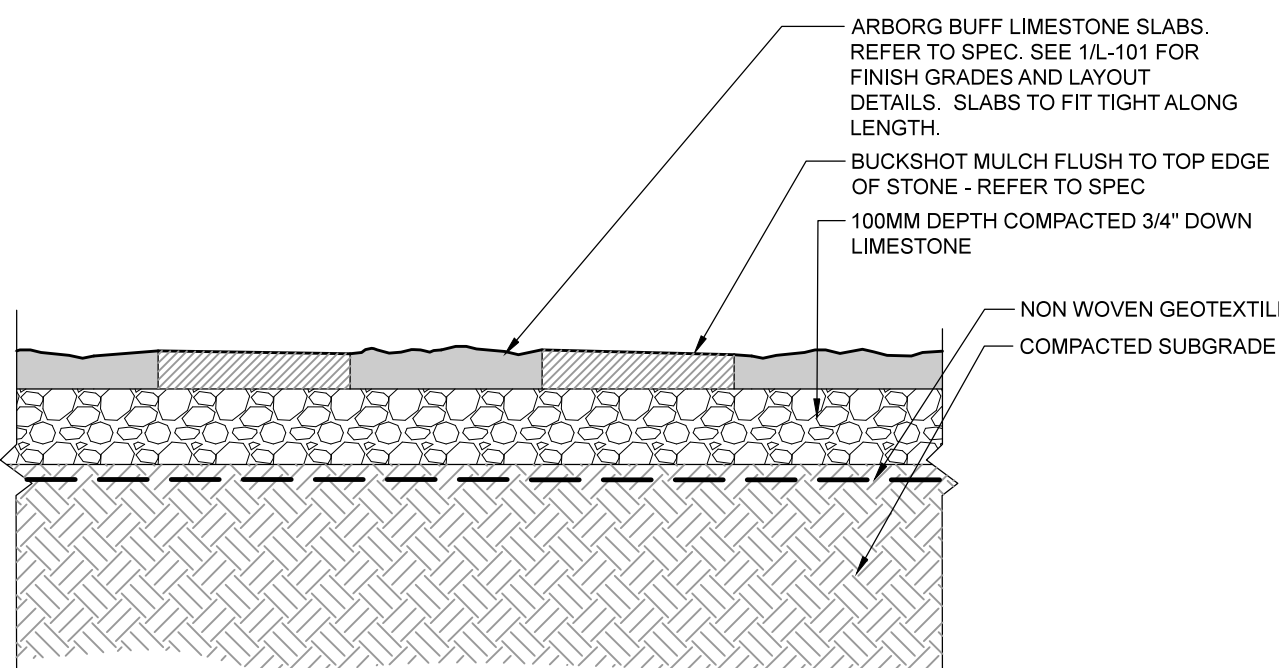
**4 STEEL EDGE, TYP.**  
 SCALE 1:10 (@ 24 X 36)



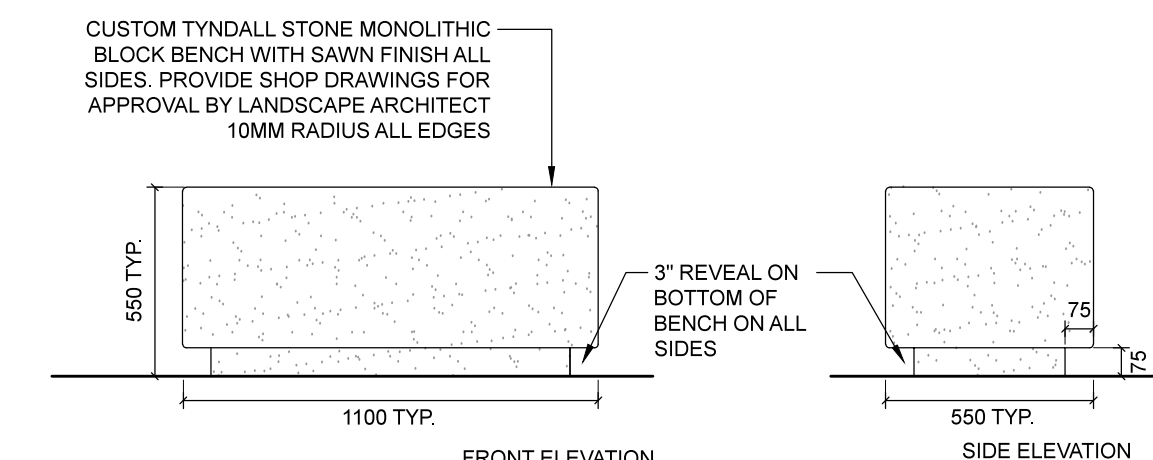
**5 SHRUB PLANTING BED, TYP.**  
 SCALE 1:20 (@ 24 X 36)



**6 SHRUB AND PERENNIAL PLANTING POCKETS, TYP.**  
 SCALE 1:20 (@ 24 X 36)

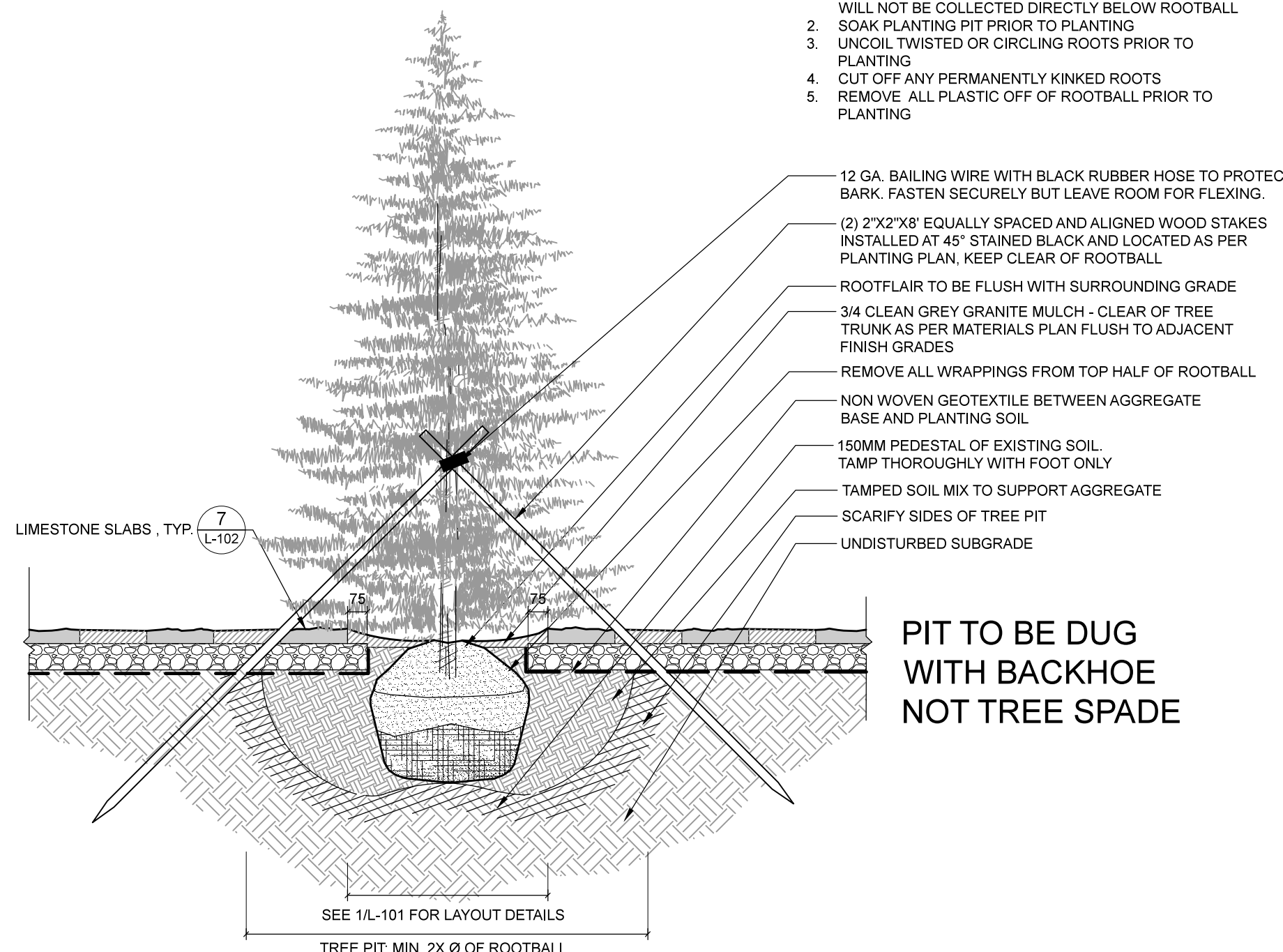


**7 LIMESTONE SLABS, TYP.**  
 SCALE 1:10 (@ 24 X 36)

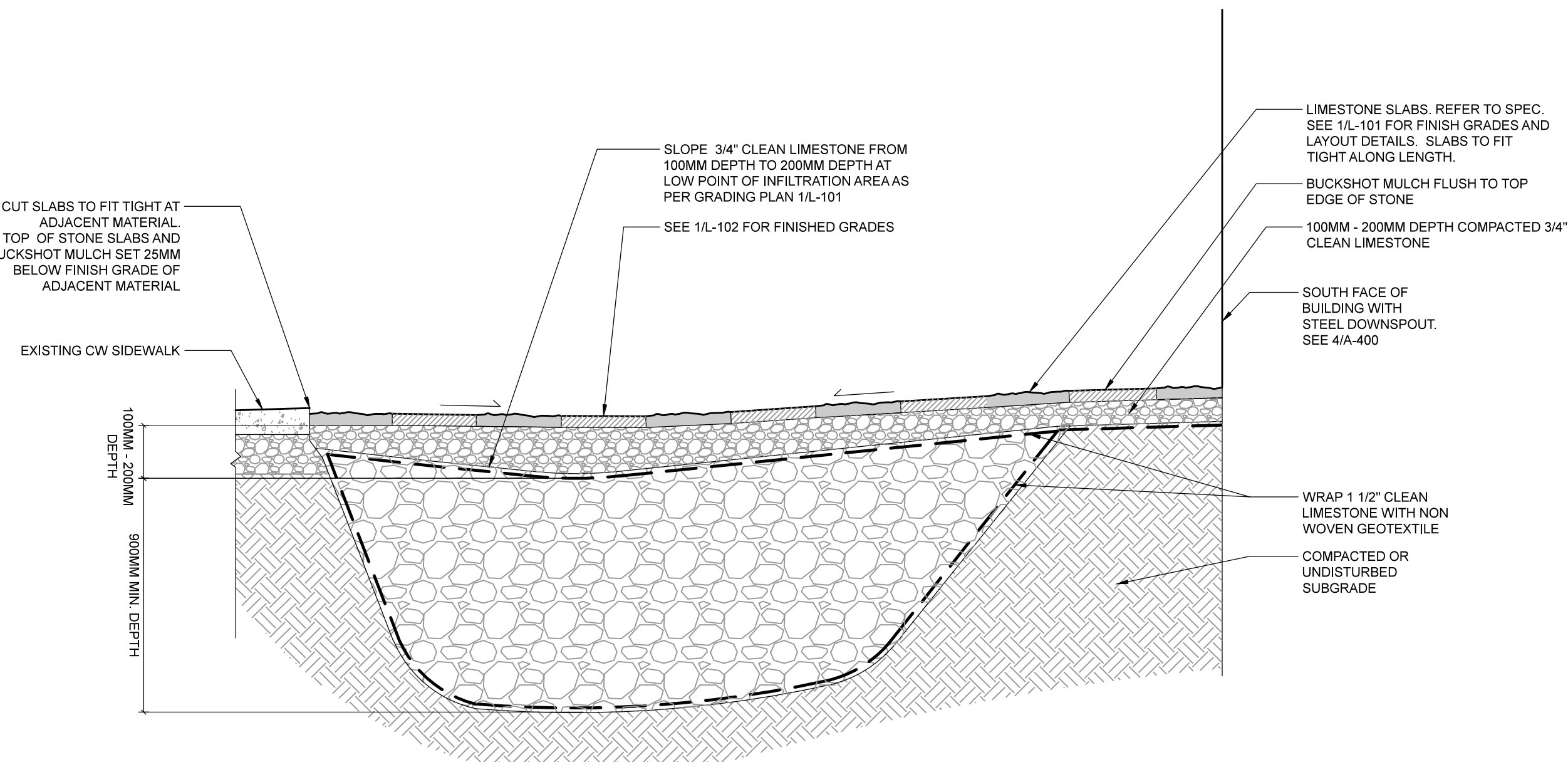


**8 CUSTOM TYNDALL STONE BENCH, TYP.**  
 SCALE 1:20 (@ 24 X 36)

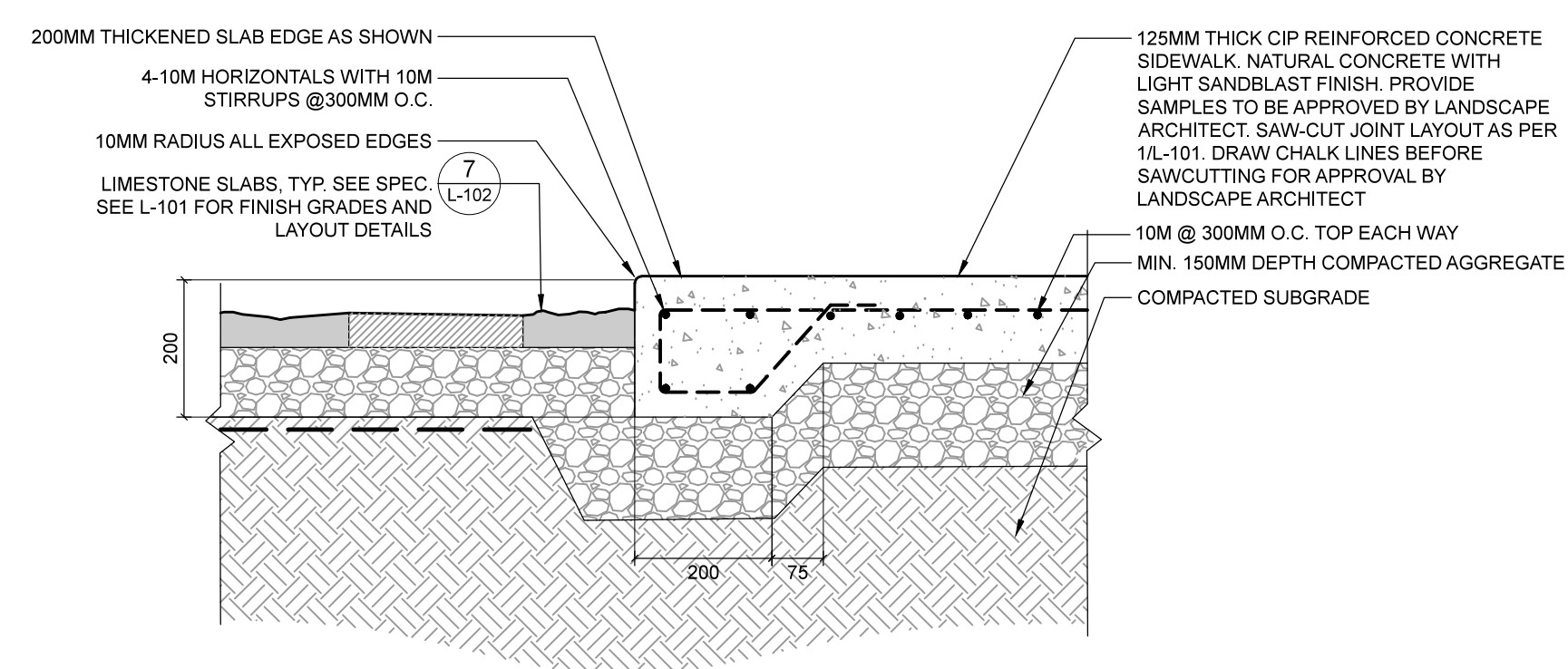
- NOTES:**
1. DIG PLANTING PITS DOWN AND OUTWARD SO WATER WILL NOT BE COLLECTED DIRECTLY BELOW ROOTBALL
  2. SOAK PLANTING PIT PRIOR TO PLANTING
  3. UNCOIL TWISTED OR CIRCLING ROOTS PRIOR TO PLANTING
  4. CUT OFF ANY PERMANENTLY KINKED ROOTS
  5. REMOVE ALL PLASTIC OFF OF ROOTBALL PRIOR TO PLANTING



**10 CONIFEROUS TREE IN LIMESTONE SLABS AND BUCKSHOT MULCH, TYP.**  
 SCALE 1:20 (@ 24 X 36)



**11 NORTH/SOUTH INFILTRATION AREA SECTION**  
 SCALE 1:20 (@ 24 X 36)



**9 CIP CONCRETE THICKENED EDGE**  
 SCALE 1:10 (@ 24 X 36)



This drawing must not be scaled. The contractor shall verify all dimensions and other data on site prior to commencement of work. Discrepancies, errors, and omissions are to be reported to Public City Architecture Inc. prior to proceeding with the Work.

Drawings and specifications as instruments of service are the property of Public City Architecture Inc. and when made must bear their name. All prints to be returned to Public City Architecture Inc. upon request.

Project  
**St. John's Library Renovation:**

Drawing  
**Details and Sections**

Drawn By  
 LM/TL  
 Scale  
 AS INDICATED

Reviewed By  
 LW  
 Drawing No.  
**L-102**

Date  
 2017.05.02

Project No.  
 1503B