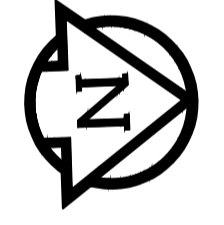
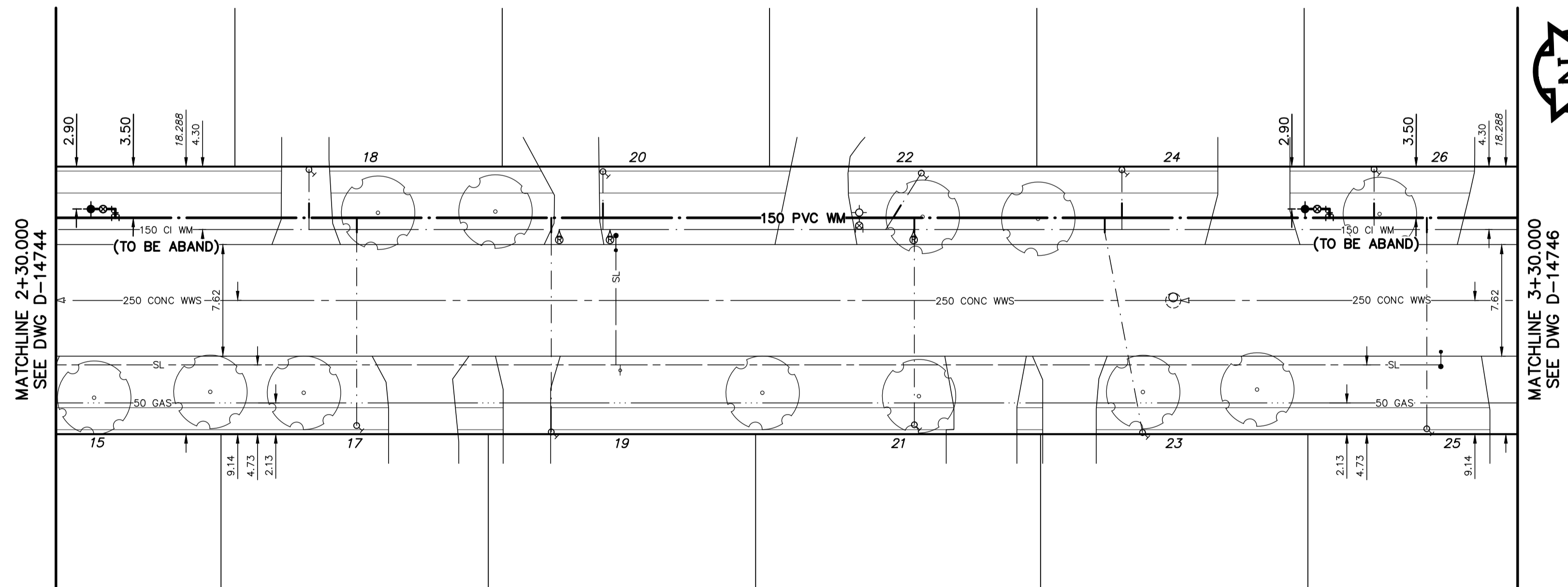


NOTE: CHAINAGES SHOWN ARE ALONG W.P. OF MEADOWLARK PLACE

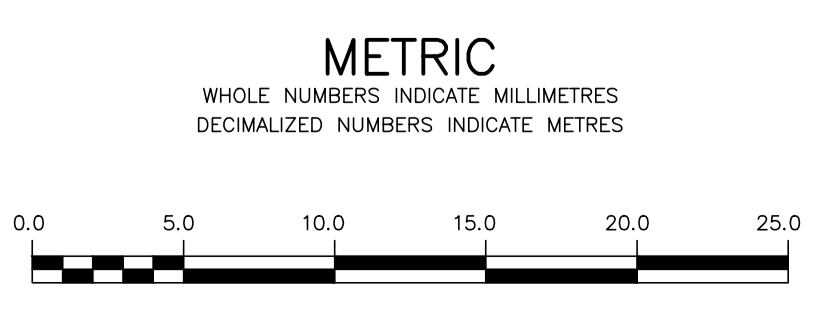
MEADOWLARK PLACE



WATER SERVICE INFORMATION

ADDRESS	SIZE (mm) MATERIAL (STREET)	SIZE (mm) MATERIAL (PROP.)	SHORT & LONG MEASUREMENT	CORP. LOCATION	REMARKS
15 MEADOWLARK PL RESIDENTIAL	-	20	5.83 NISLL	-	RECONNECT SERVICE
17 MEADOWLARK PL RESIDENTIAL	-	20	106.89 NNIL BOOTH DR	-	RECONNECT SERVICE
18 MEADOWLARK PL RESIDENTIAL	-	20	8.08 SNL OF HSE	-	RECONNECT SERVICE
18 MEADOWLARK PL RESIDENTIAL	-	CU	16.78 WHSE	-	RECONNECT SERVICE
18 MEADOWLARK PL RESIDENTIAL	-	20	2.74 N S SIDE	-	RECONNECT SERVICE
18 MEADOWLARK PL RESIDENTIAL	-	CU	9.14 E SIDE	-	RECONNECT SERVICE
19 MEADOWLARK PL RESIDENTIAL	-	-	3.96 N OF S	-	RECONNECT SERVICE
19 MEADOWLARK PL RESIDENTIAL	-	-	17.88 S OF HYD.	-	RECONNECT SERVICE
20 MEADOWLARK PL RESIDENTIAL	-	-	4.4 NIS BLDG	-	RECONNECT SERVICE
20 MEADOWLARK PL RESIDENTIAL	-	CU	6.6 NIS LL	-	RECONNECT SERVICE
21 MEADOWLARK PL RESIDENTIAL	-	20	7.92 N S SIDE	-	RECONNECT SERVICE
21 MEADOWLARK PL RESIDENTIAL	-	CU	8.55 WBLDG	-	RECONNECT SERVICE
22 MEADOWLARK PL RESIDENTIAL	20	20	5.18 N SIDE	2.44 S SIC	RECONNECT SERVICE
22 MEADOWLARK PL RESIDENTIAL	CU	CU	8.08 E SIDE	-	RECONNECT SERVICE
23 MEADOWLARK PL RESIDENTIAL	20	-	3.05 N OF S	16.76 N HYDT @ #22	RECONNECT SERVICE
23 MEADOWLARK PL RESIDENTIAL	CU	-	19.81 N HYDT @ #22	-	RECONNECT SERVICE
24 MEADOWLARK PL RESIDENTIAL	-	20	3.35 N S SIDE	-	RECONNECT SERVICE
24 MEADOWLARK PL RESIDENTIAL	-	CU	10.42 E OF E SIDE	-	RECONNECT SERVICE
25 MEADOWLARK PL RESIDENTIAL	-	20	5.18 N OF S	-	RECONNECT SERVICE
25 MEADOWLARK PL RESIDENTIAL	-	CU	39.91 N OF HYD @ #22	-	RECONNECT SERVICE
26 MEADOWLARK PL RESIDENTIAL	-	20	2.13 N OF S	-	RECONNECT SERVICE
26 MEADOWLARK PL RESIDENTIAL	-	CU	12.50 E SIDE	-	RECONNECT SERVICE

* SERVICES TO BE RENEWED TO R. ALL OTHERS TO BE RECONNECTED



WARNING
IF POWER EQUIPMENT OR EXPLOSIVES ARE TO BE USED FOR EXCAVATION ON THIS PROJECT THE CONTRACTOR MUST:
1) NOTIFY THE GAS COMPANY OF THE PROPOSED LOCATION OF EXCAVATION.
2) TAKE PRECAUTION TO AVOID DAMAGE TO GAS COMPANY INSTALLATIONS.
SEE PROVINCIAL REGULATION 21072 FOR DETAILS

LOCATION APPROVED UNDERGROUND STRUCTURES
SUPV. U/G STRUCTURES COMMITTEE DATE
NOTE:
LOCATION OF UNDERGROUND STRUCTURES AS SHOWN ARE BASED ON THE BEST INFORMATION AVAILABLE BUT NO GUARANTEE IS GIVEN THAT ALL EXISTING UTILITIES ARE SHOWN OR THAT THE GIVEN LOCATIONS ARE EXACT. CONFIRMATION OF EXISTENCE AND EXACT LOCATION OF ALL SERVICES MUST BE OBTAINED FROM THE INDIVIDUAL UTILITIES BEFORE PROCEEDING WITH CONSTRUCTION.

B.M. 39-024 ELEV. 238.678
N.E. Cor. Booth Dr. & Meadowlark Pl., Tblt. in most Sly. Conc. foundation of Bruce Jr. High School No. 353 Booth Dr., 0.5 m W. & 0.2 m below brick of S.E. Cor. of school.

NO.	REVISIONS	DATE	BY

MORRISON HERSHFIELD
ENGINEERS
Geoscientists
Certificate of Authorization
MORRISON HERSHFIELD
No. 1736

DESIGNED BY	JKH	CHECKED BY	HAK
DRAWN BY	DML	APPROVED BY	BWB
SCALE:		RELEASED FOR CONSTRUCTION	KAS ZUREK
HORIZONTAL	1:250		
VERTICAL	1:50		
DATE	2017 05 11	DATE	2017 05 17

ENGINEER'S SEAL
ORIGINAL SIGNED BY H.A. KATZ
2017 05 17
CONSULTANT DRAWING NUMBER

FOR INDEX SEE D-14739

NOTE: ALL VALVES TO BE INSTALLED COUNTER-CLOCKWISE TO CLOSE

THE CITY OF WINNIPEG
WATER AND WASTE DEPARTMENT
ENGINEERING DIVISION

2017 WATER MAIN RENEWALS
CONTRACT 9
MEADOWLARK PLACE
10 m N OF ATHLONE DRIVE (SOUTH LEG) TO
60 m S OF FLAMINGO AVENUE

SHEET 8 OF 21
CITY DRAWING NUMBER
D-14745