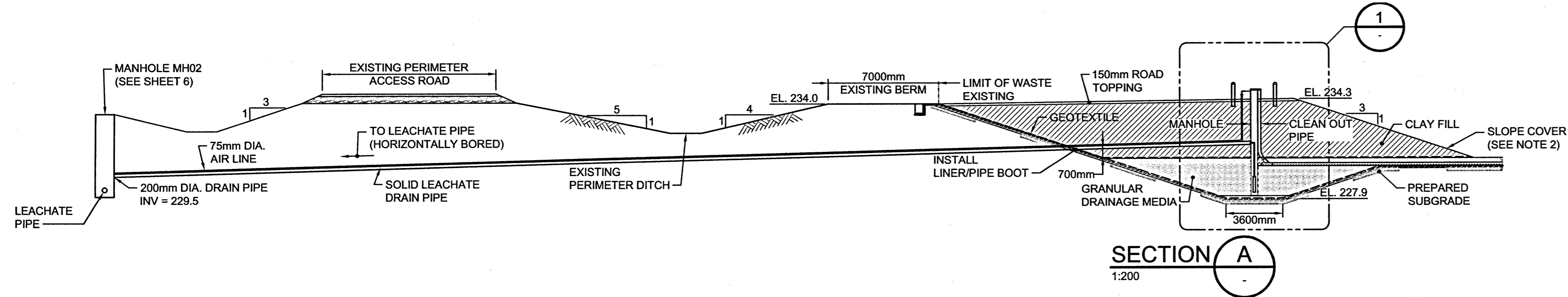


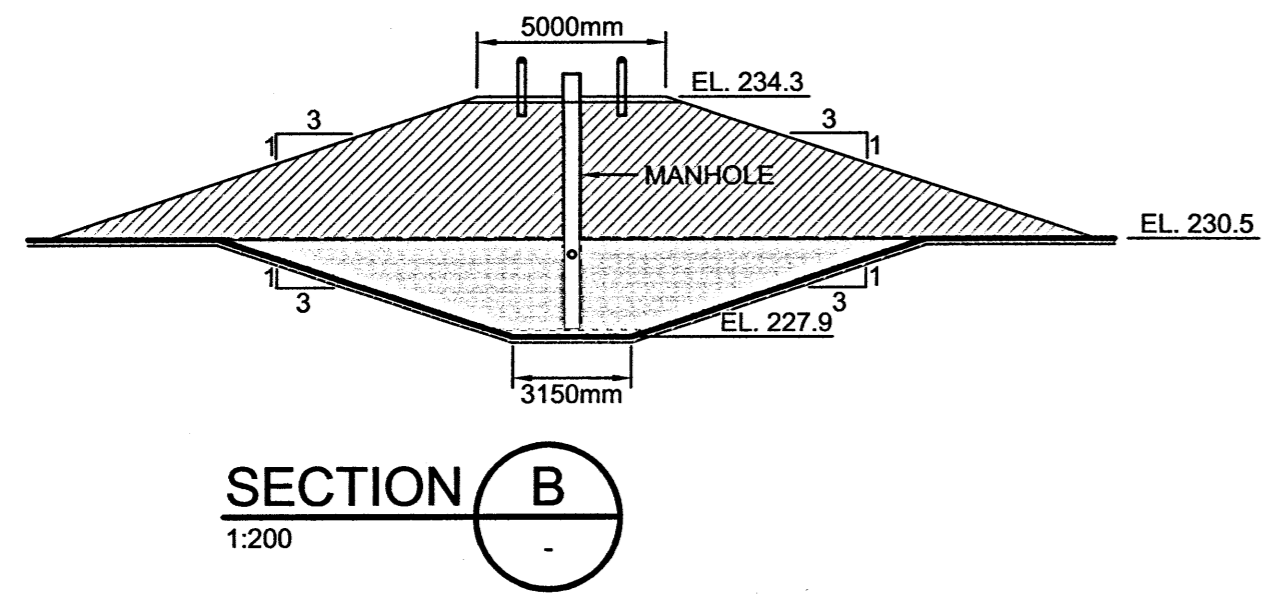
PLAN
1:200

DETAIL 1
1:40

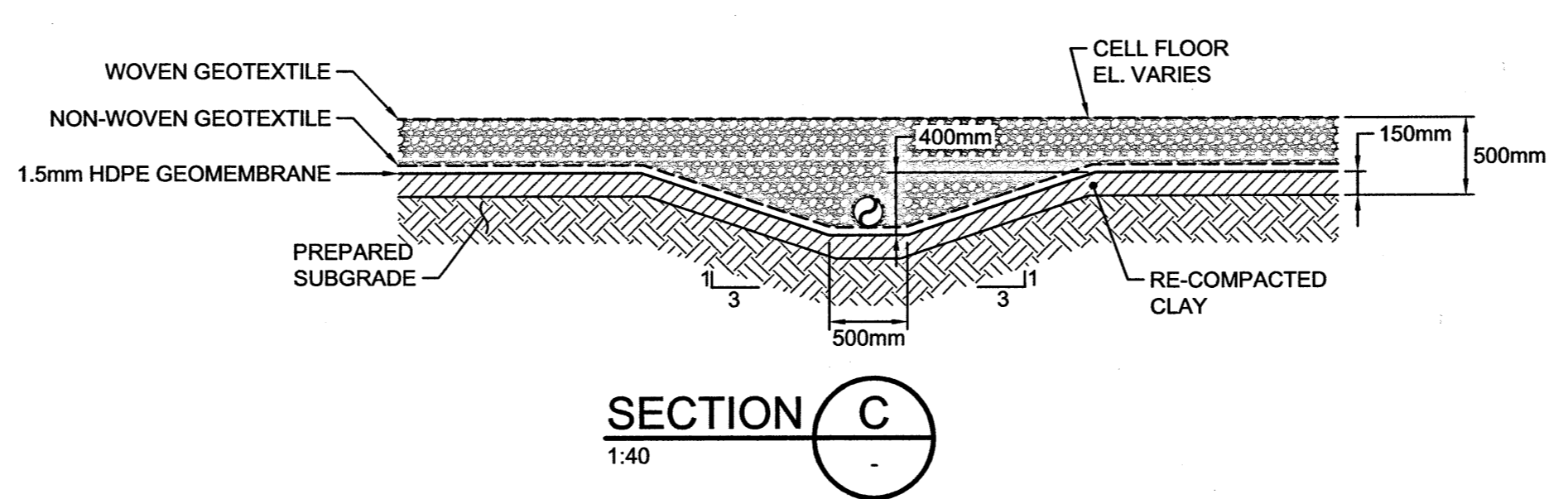


SECTION A
1:200

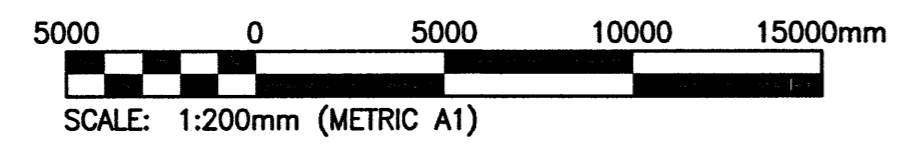
- NOTES:**
- REFER TO SHEET 6, 7, 8, 11 AND 15 FOR DETAILS OF CELL FLOOR, LEACHATE COLLECTION PIPE AND SWALE, LOCATION OF LEACHATE SUMP AND GEOTEXTILE ANCHOR.
 - COVER SLOPES WITH 300mm OF GRANULAR DRAINAGE MEDIA ON TOP OF NON-WOVEN GEOTEXTILE.



SECTION B
1:200



SECTION C
1:40



LOCATION APPROVED UNDERGROUND STRUCTURES		B.M. ELEV.
SUPV. U/G STRUCTURES COMMITTEE		CONSTRUCTION COMPLETION DATE: YYYY MM DD
DATE		
NOTE: LOCATION OF UNDERGROUND STRUCTURES AS SHOWN ARE BASED ON THE BEST INFORMATION AVAILABLE BUT NO GUARANTEE IS GIVEN THAT ALL EXISTING UTILITIES ARE SHOWN OR THAT THE GIVEN LOCATIONS ARE EXACT. CONFIRMATION OF EXISTENCE AND EXACT LOCATION OF ALL SERVICES MUST BE OBTAINED FROM THE INDIVIDUAL UTILITIES BEFORE PROCEEDING WITH CONSTRUCTION.		
NO.	REVISIONS	DATE BY
1	ISSUED WITH ADDENDUM NO. 1	07/11/17
0	ISSUED FOR TENDER	06/15/17
		MP
		DATE 2017 07 10
		DATE

KGS GROUP CONSULTING ENGINEERS & PROJECT MANAGERS
WINNIPEG (204) 896-1209
THUNDER BAY (807) 345-2233

DESIGNED BY JS CHECKED BY TK
DRAWN BY RgR APPROVED BY MP

SCALE: HORIZONTAL AS SHOWN
VERTICAL -

RELEASED FOR CONSTRUCTION

DATE 2017 07 10

PLOT DATE: 2017 07 10

ENGINEER'S SEAL

PROVINCE OF MANITOBA
M. POVEDA QUIROS
Member 36273
REGISTERED PROFESSIONAL ENGINEER

CONSULTANT/DRAWING NUMBER
15-0107-014_G01

FOR TENDER ONLY
NOT TO BE USED FOR CONSTRUCTION

APEGM
Certificate of Authorization
KGS Group
No. 245

THE CITY OF WINNIPEG
WATER AND WASTE DEPARTMENT
ENGINEERING DIVISION

BRADY ROAD RESOURCE MANAGEMENT FACILITY (BRRMF)
DISPOSAL CELL CONSTRUCTION AND
LEACHATE COLLECTION AND STORAGE (300,000 LITRE) TANK

LEACHATE COLLECTION SUMP SYSTEM DETAILS

SHEET 21 OF 44
CITY DRAWING NUMBER
1-0400A-G0002-001