

AR-1
WET AIR RECEIVER
0.9 CU. M
0.762 M DIA. x 2.134 M LENGTH
MAWP 1378 kPa @ 204°C

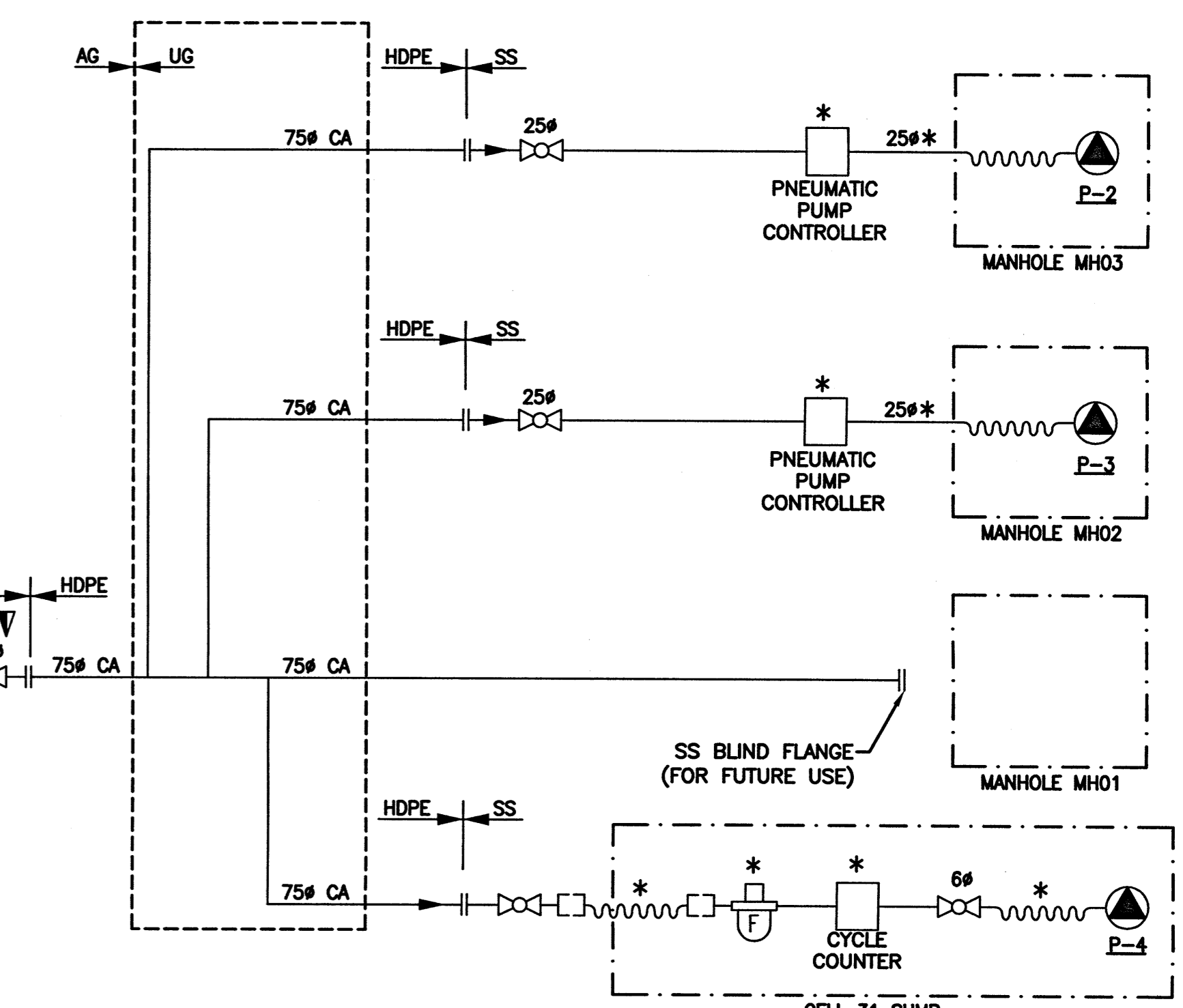
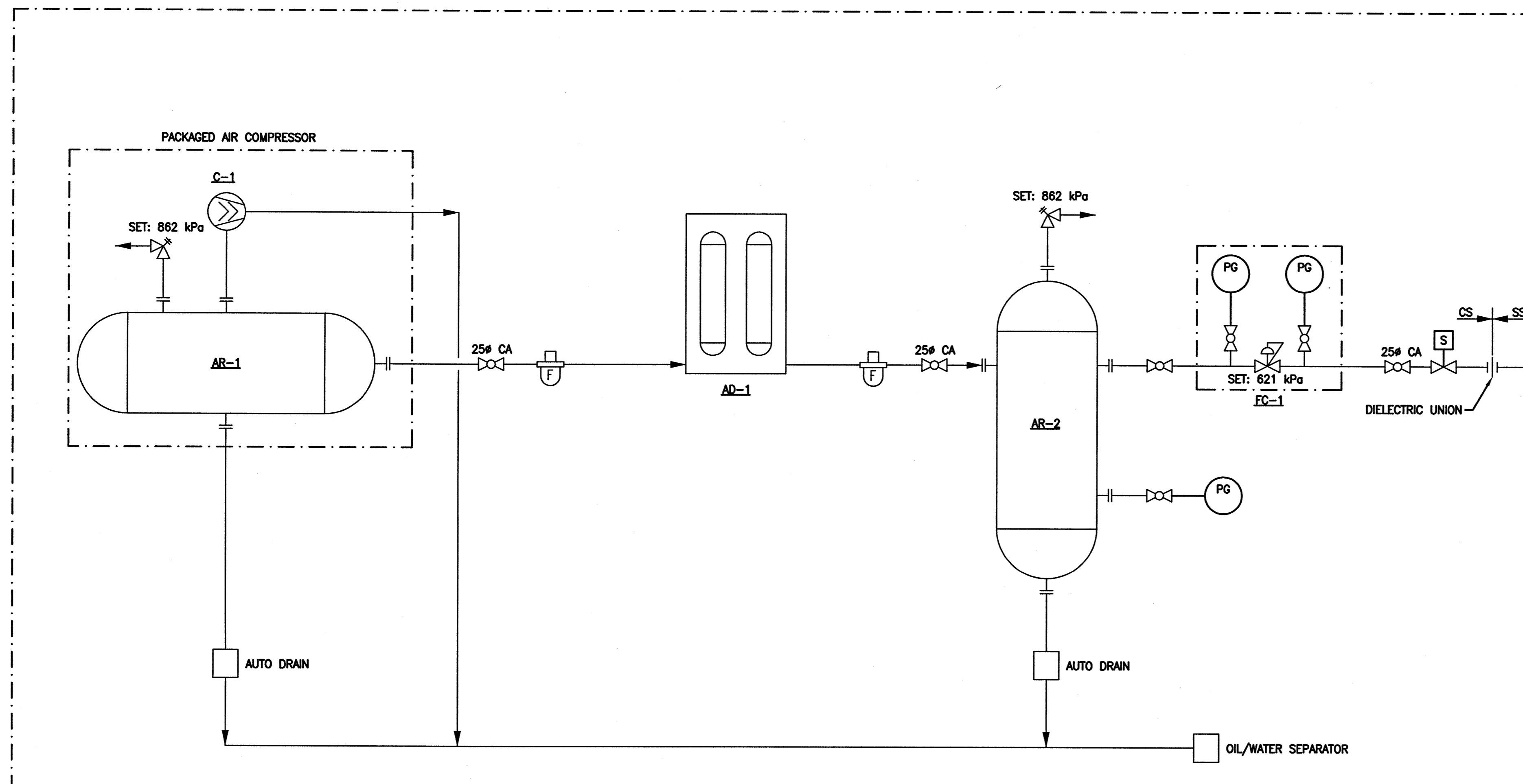
AD-1
HEATLESS DESSICANT
AIR DRYER
163 CU. M/HR
MAWP 1034 kPa
-73°C DEW POINT

AR-2
DRY AIR RECEIVER
0.9 CU. M
0.762 M DIA. x 2.134 M HEIGHT
MAWP 1378 kPa @ 204°C

FC-1
AIR FLOW CONTROLLER
340 CU. M/HR
MAWP 2068 kPa

NOTES:

- ITEMS MARKED * SUPPLIED WITH PNEUMATIC PUMPS.
- LIMITS OF PIPING SUPPLY ARE SHOWN AS FOLLOWS:
 ▶ SUPPLIED BY VENDOR
 ▶ NOT SUPPLIED BY VENDOR



C-1
COMPRESSOR
195 CU. M/HR @ 862 kPa
30 HP

P-4
CELL 31 MANHOLE
LEACHATE PUMP (PNEUMATIC)
38 L/MIN. @ 552 KPA AIR SUPPLY

P-3
MANHOLE MH02
LEACHATE PUMP (PNEUMATIC)
189 L/MIN. @ 552 KPA AIR SUPPLY

P-2
MANHOLE MH03
LEACHATE PUMP (PNEUMATIC)
341 L/MIN. @ 552 KPa AIR SUPPLY

OMMITTED FROM THE SCOPE OF
BID OPPORTUNITY 448-2017

LOCATION APPROVED UNDERGROUND STRUCTURES	
SURV. U/G STRUCTURES COMMITTEE	DATE
NOTE: LOCATION OF UNDERGROUND STRUCTURES AS SHOWN ARE BASED ON THE BEST INFORMATION AVAILABLE BUT NO GUARANTEE IS GIVEN THAT ALL EXISTING UTILITIES ARE SHOWN OR THAT THE GIVEN LOCATIONS ARE EXACT. CONFIRMATION OF EXISTENCE AND EXACT LOCATION OF ALL SERVICES MUST BE OBTAINED FROM THE INDIVIDUAL UTILITIES BEFORE PROCEEDING WITH CONSTRUCTION.	

B.M. ELEV.	
CONSTRUCTION COMPLETION DATE: YYYY MM DD	
NO.	REVISIONS
1	ISSUED WITH ADDENDUM #4
0	ISSUED FOR TENDER
	DATE
	BY

KGS GROUP CONSULTING ENGINEERS & PROJECT MANAGERS
WINNIPEG (204) 896-1209
THUNDER BAY (807) 345-2233

DESIGNED BY: MSK	CHECKED BY: PS
DRAWN BY: ML	APPROVED BY: MP
SCALE: HORIZONTAL AS NOTED	RELEASED FOR CONSTRUCTION
DATE: 2016 08 17	DATE:

ENGINEER'S SEAL
CONSULTANT DRAWING NUMBER
15-0107-014_M13

FOR TENDER ONLY
NOT TO BE USED FOR CONSTRUCTION

THE CITY OF WINNIPEG
WATER AND WASTE DEPARTMENT
ENGINEERING DIVISION

BRADY ROAD RESOURCE MANAGEMENT FACILITY (BRRMF)
DISPOSAL CELL CONSTRUCTION AND
LEACHATE COLLECTION AND STORAGE (300,000 LITRE) TANK

MECHANICAL
COMPRESSED AIR PIPING SCHEMATIC

SHEET 34 OF 44
CITY DRAWING NUMBER
1-0400A-M0016-001

APEGN
Certificate of Authorization
KGS Group
No. 245