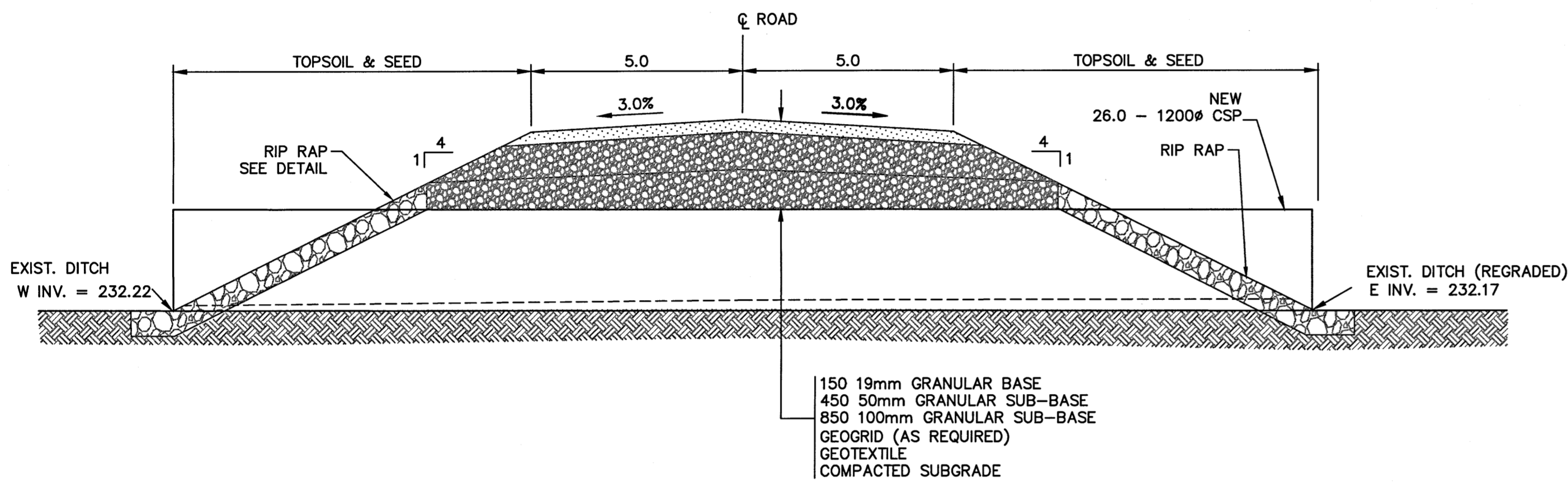


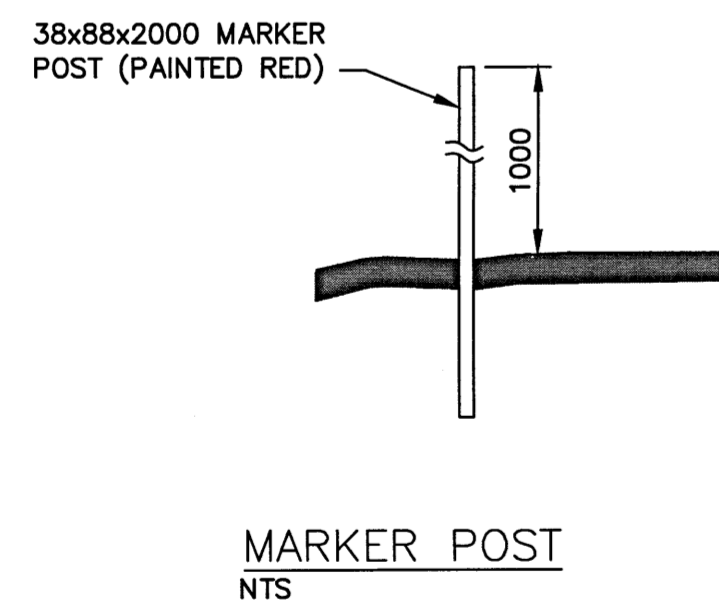
**ACCESS ROAD CROSS SECTION**

SCALE: HOR 1:100  
VER 1:50

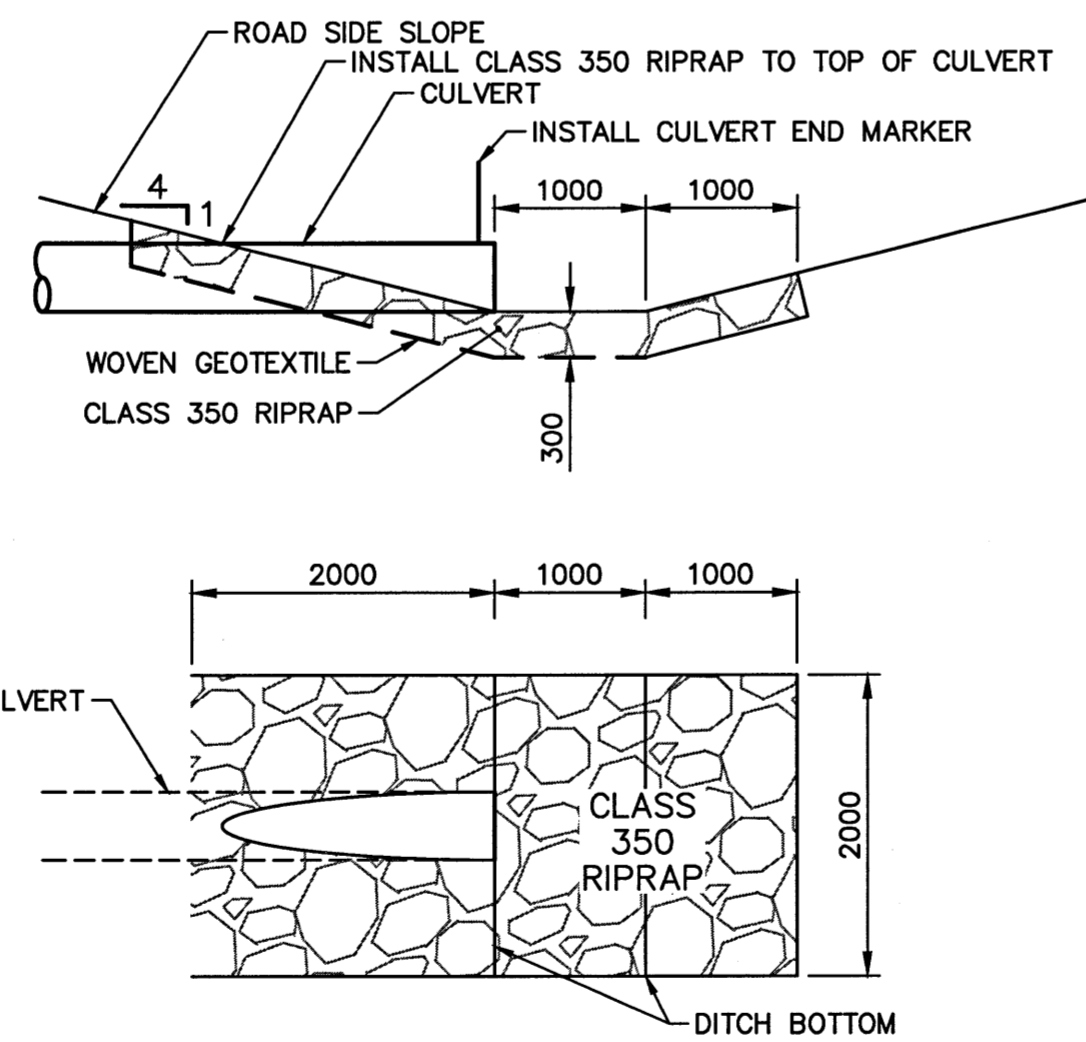


**1200Ø CULVERT SECTION DETAIL**

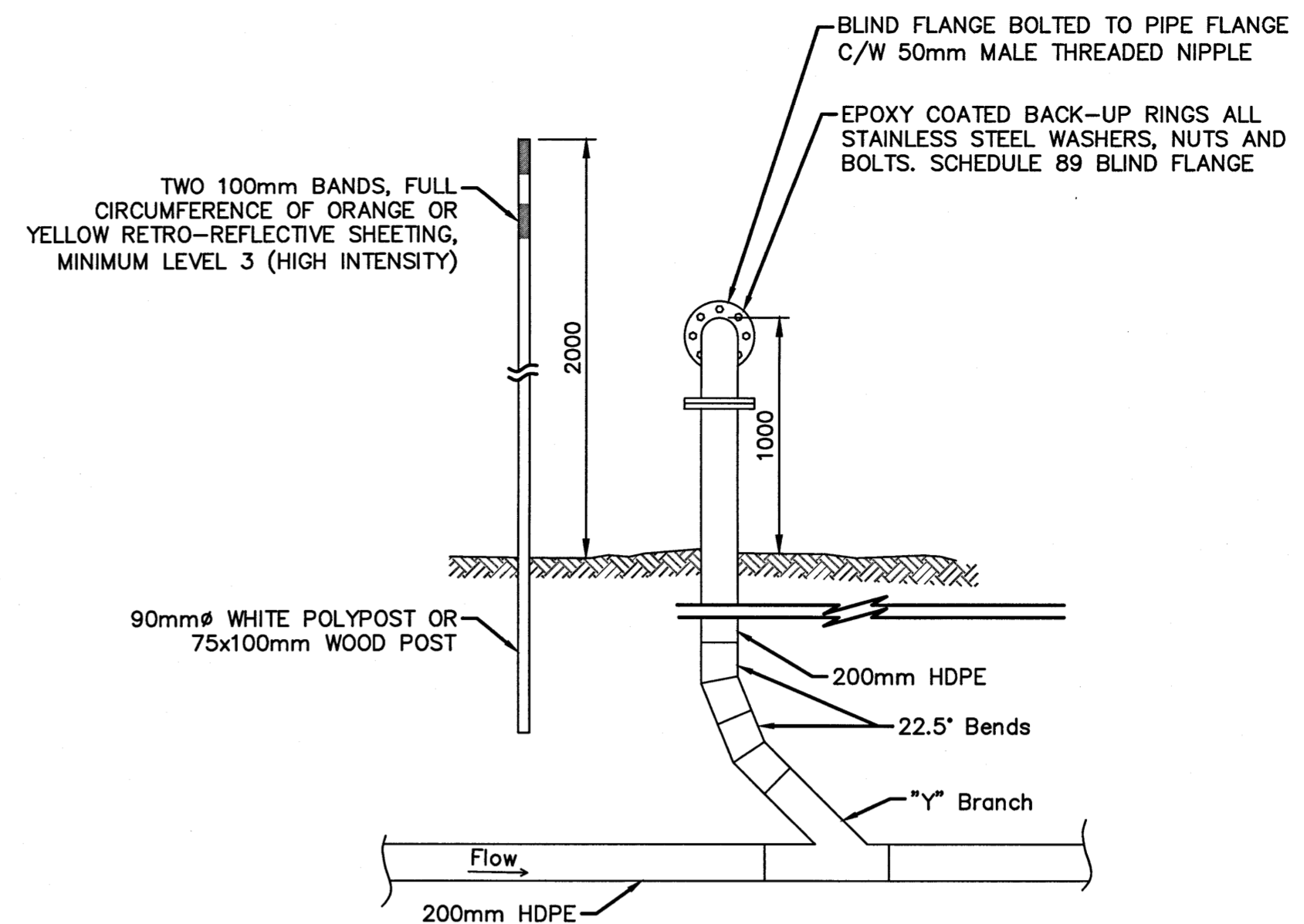
SCALE: HOR 1:100  
VER 1:50



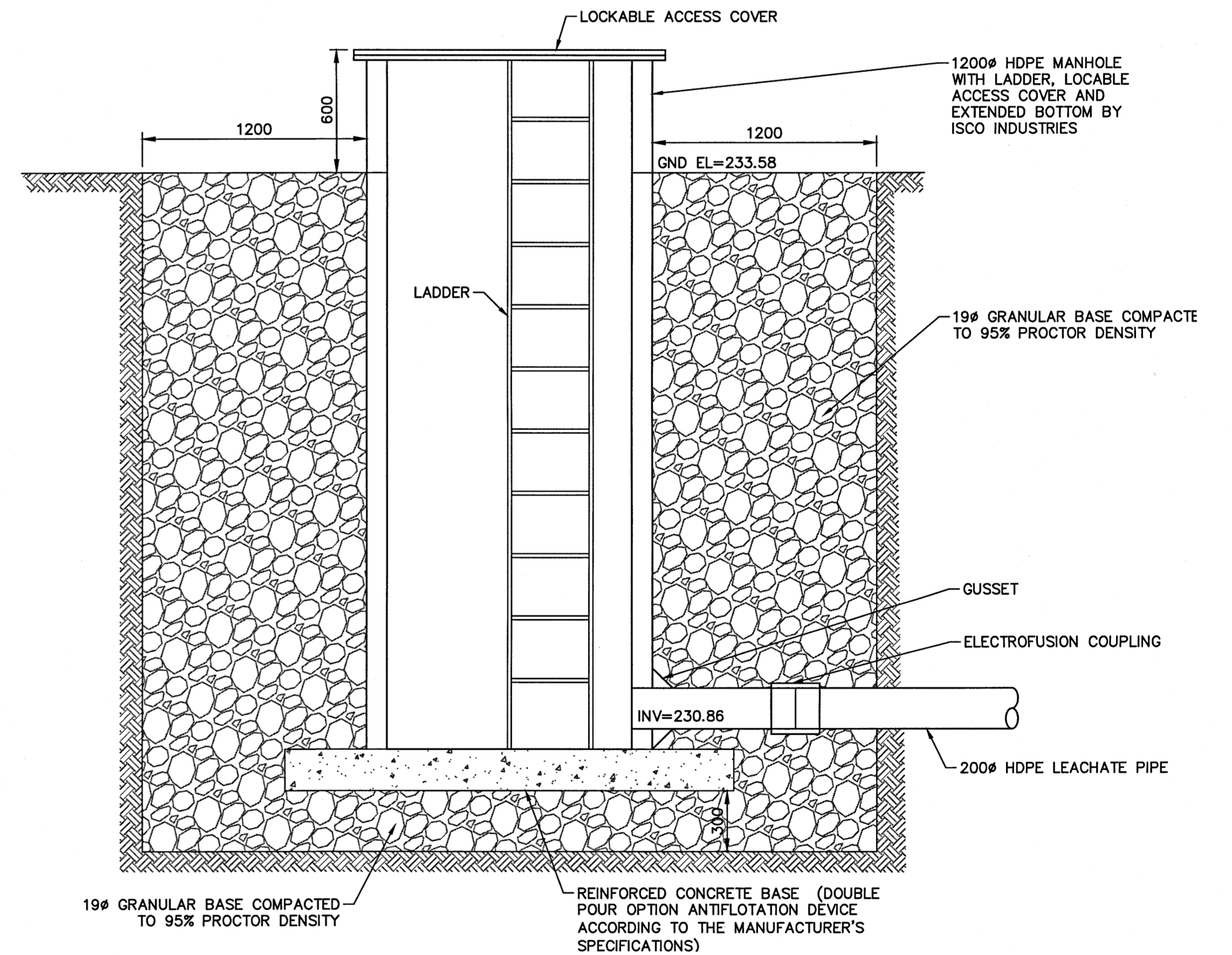
**MARKER POST**  
NTS



**RIP-RAP DETAIL**  
SCALE: 1:20

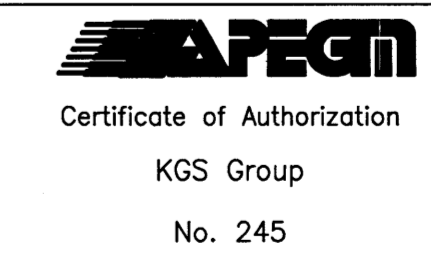


**SEWER CLEANOUT DETAIL**  
NTS

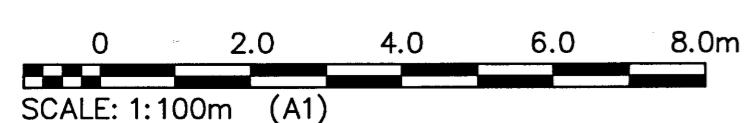
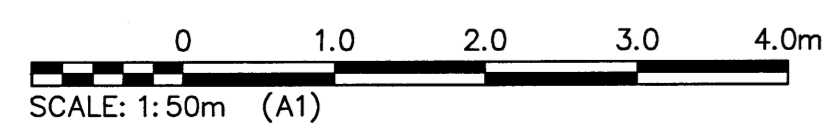
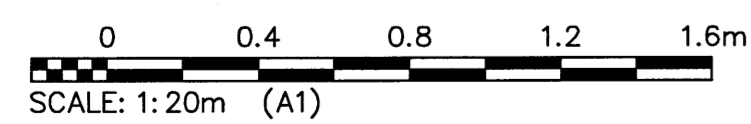


**MHO1 DETAIL**

SCALE: 1:20



**METRIC**  
WHOLE NUMBERS INDICATE MILLIMETRES  
DECIMALIZED NUMBERS INDICATE METRES



**FOR TENDER ONLY**  
NOT TO BE USED FOR CONSTRUCTION

<p><b>WARNING</b></p> <p>IF POWER EQUIPMENT OR EXPLOSIVES ARE TO BE USED FOR EXCAVATION ON THIS PROJECT THE CONTRACTOR MUST:</p> <p>1) NOTIFY THE GAS COMPANY OF THE PROPOSED LOCATION OF EXCAVATION.</p> <p>2) TAKE PRECAUTION TO AVOID DAMAGE TO GAS COMPANY INSTALLATIONS.</p> <p>SEE PROVINCIAL REGULATION 210/72 FOR DETAILS</p>	<p><b>LOCATION APPROVED UNDERGROUND STRUCTURES</b></p> <p>SUPV. U/G STRUCTURES COMMITTEE _____ DATE _____</p> <p>NOTE:</p> <p>LOCATION OF UNDERGROUND STRUCTURES AS SHOWN ARE BASED ON THE BEST INFORMATION AVAILABLE BUT NO GUARANTEE IS GIVEN THAT ALL EXISTING UTILITIES ARE SHOWN OR THAT THE GIVEN LOCATIONS ARE EXACT. CONFIRMATION OF EXISTENCE AND EXACT LOCATION OF ALL SERVICES MUST BE OBTAINED FROM THE INDIVIDUAL UTILITIES BEFORE PROCEEDING WITH CONSTRUCTION.</p>	<p>B.M. KGS_BASE ELEV= 249.213 NAD83 CSRS CGVD28</p>	<p><b>KGS GROUP</b></p> <p>CONSULTING ENGINEERS &amp; PROJECT MANAGERS</p> <p>WINNIPEG (204) 896-1209 THUNDER BAY (807) 345-2233</p>	<p>ENGINEER'S SEAL</p> <p>PROVINCE OF MANITOBA REGISTERED PROFESSIONAL ENGINEER MARGARET-SHATSKY Member 16786</p>	<p>THE CITY OF WINNIPEG Winnipeg WATER AND WASTE DEPARTMENT ENGINEERING DIVISION</p>
<p>SHEET 19 OF 44 CITY DRAWING NUMBER 1-0400A-C0032-001</p>					

BID OPPORTUNITY: 488-2017

FILE PATH: U:\FMS\15-0107-014\