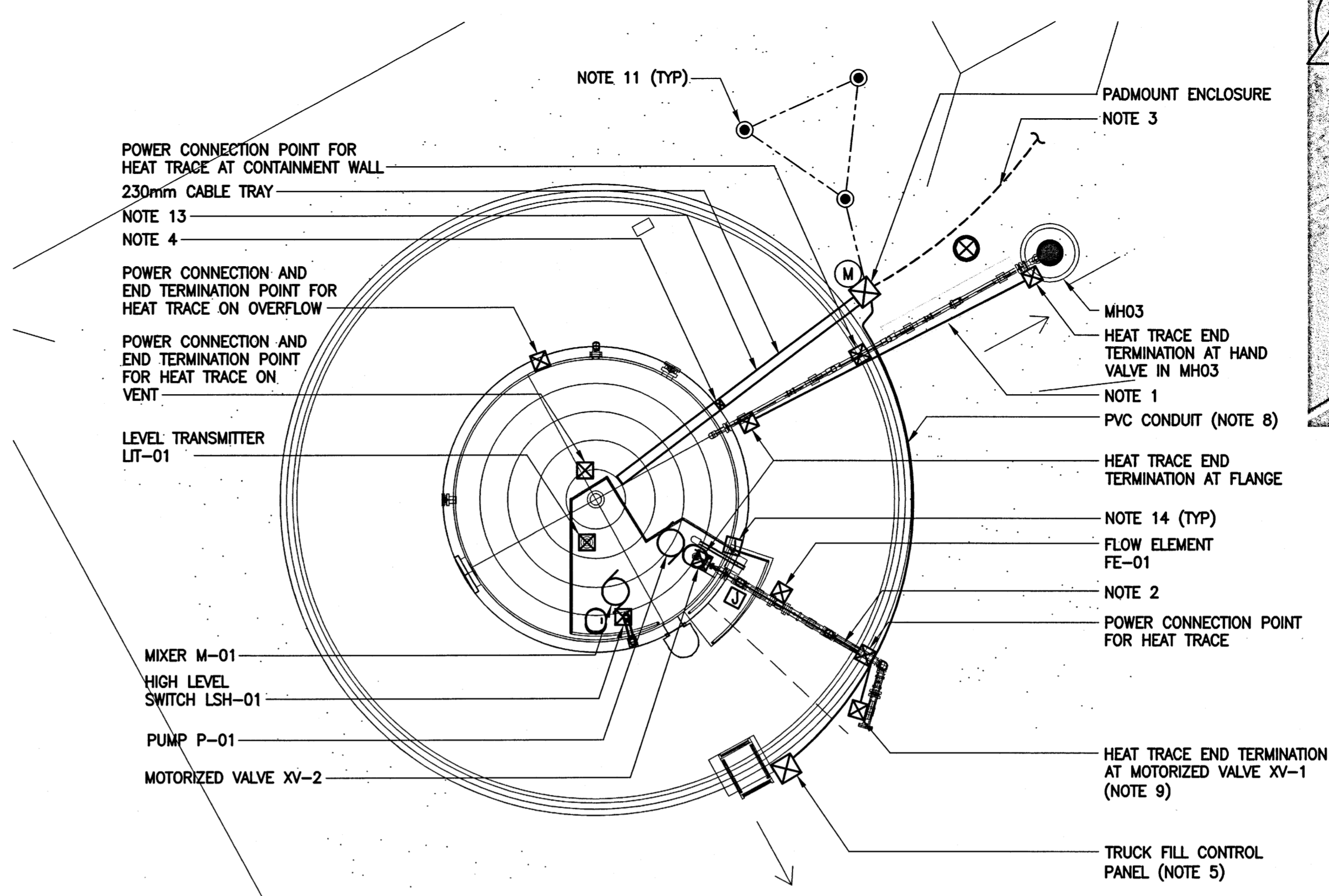
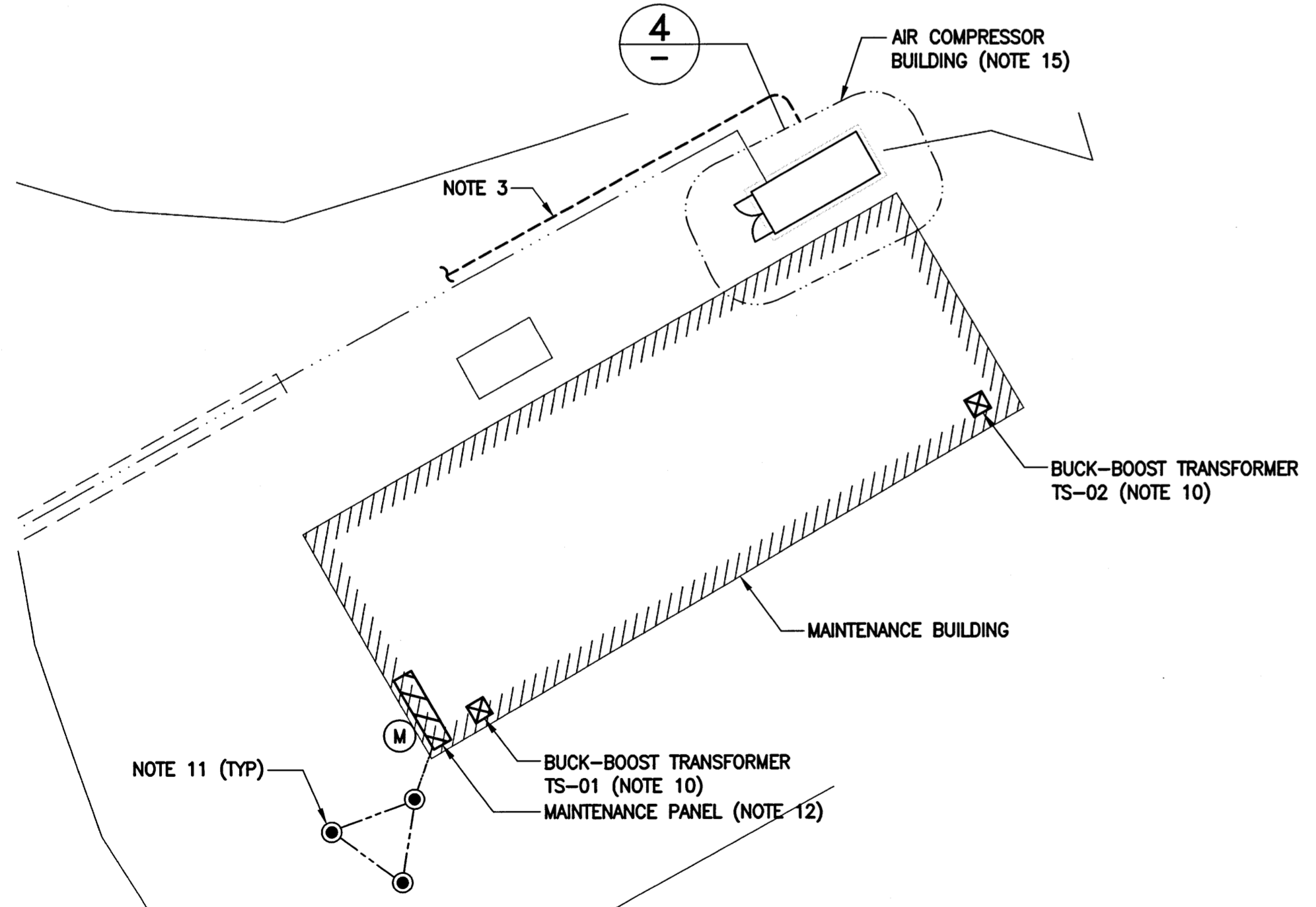


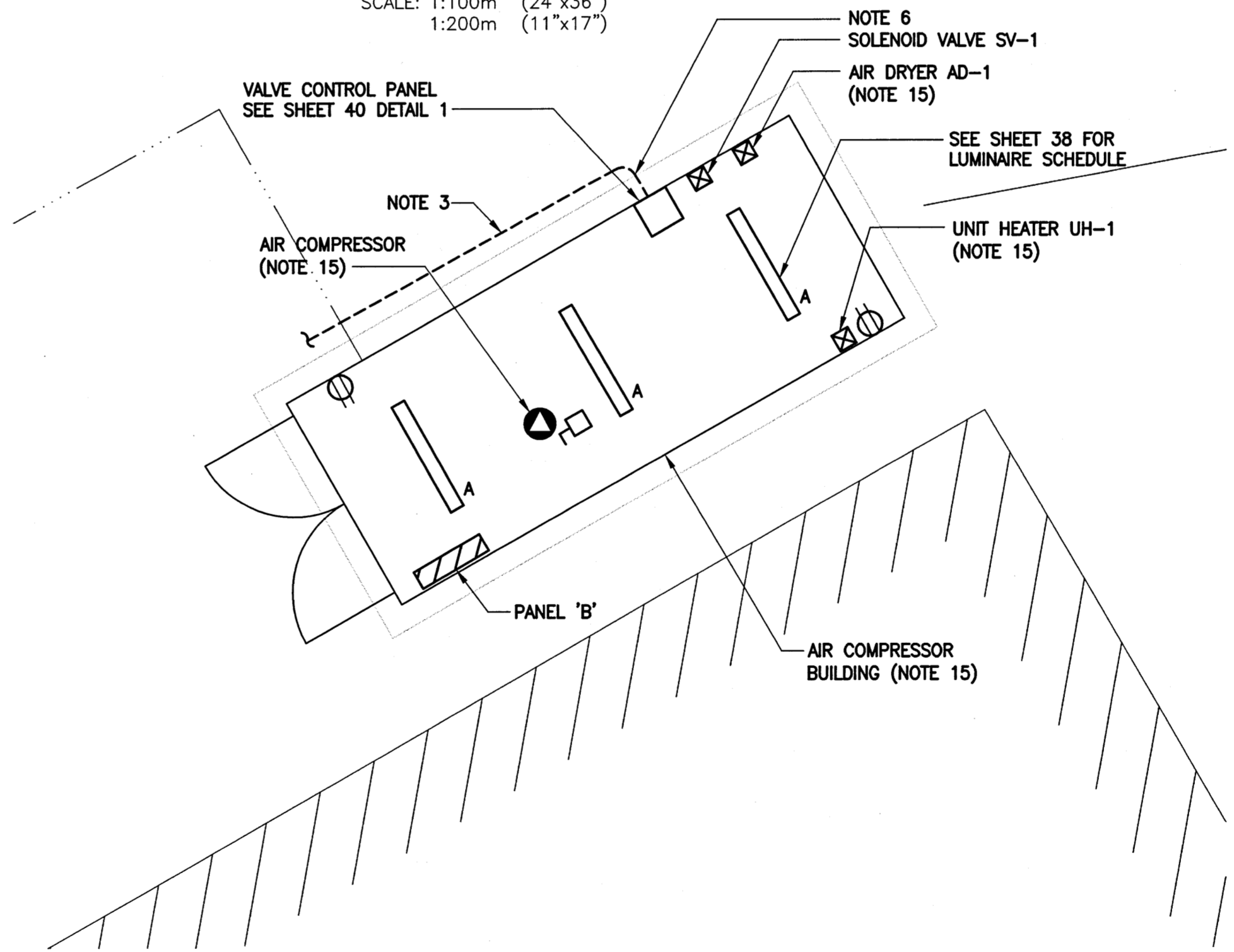
1 PARTIAL SITE PLAN
SCALE: 1:500m
0 10.0 20.0 30.0 40.0m



2 STORAGE TANK PARTIAL SITE PLAN
SCALE: 1:100m (24"x36")
1:200m (11"x17")
0 2.0 4.0 6.0 8.0m



3 MAINTENANCE BUILDING PLAN
SCALE: 1:250m (24"x36")
1:500m (11"x17")
0 5.0 10.0 15.0 20.0m



4 AIR COMPRESSOR BUILDING PLAN
SCALE: 1:50m (24"x36")
1:100m (11"x17")
0 1.0 2.0 3.0 4.0m

- NOTES:**
- HEAT TRACE SUPPLY LINE FROM MH03 TO LEACHATE TANK.
 - HEAT TRACE LOADOUT LINE FROM LEACHATE TANK TO NOZZLE.
 - PROVIDE CABLE THROUGH DIRECTIONAL DRILLED CONDUIT TO PADMOUNT ENCLOSURE FROM AIR COMPRESSOR BUILDING.
 - PROVIDE VERTICAL TRAY ON SIDE OF STORAGE TANK AND ALONG CONTAINMENT WALL.
 - TRUCK FILL CONTROL PANEL AND ASSOCIATED CABLES SHALL BE MOUNTED/SUPPORTED BY CONTAINMENT WALL.
 - INSTALL CABLE WITHIN PVC CONDUIT AND PENETRATE THROUGH WALL 1 METRE AFG. SEAL WALL PENETRATION TO SUIT.
 - CONTRACTOR SHALL COORDINATE WITH TANK MANUFACTURER FOR CABLE TRAY SUPPORTS.
 - PROVIDE PVC CONDUITS FOR CONDUCTORS AND CABLES BETWEEN THE PADMOUNT ENCLOSURE AND THE TRUCK FILL PANEL, THE LOADOUT LINE HEAT TRACE, AND FLOW ELEMENT FE-01. FASTEN PVC CONDUIT TO TANK CONTAINMENT WALL. SIZE CONDUITS TO SUIT CABLES.
 - CONTRACTOR SHALL INSTALL HEAT TRACE END TERMINATION AT MOTORIZED VALVE ON VERTICAL SPAN OF THE PIPE.
 - CONTRACTOR SHALL INSTALL TWO 208/120V BUCK-BOOST TRANSFORMERS TO SUPPLY EAST WELDER PLUG AND WEST WELDER PLUG. RECOMMENDED MAKE MODEL: HPS UNIVERSAL BUCK-BOOST TRANSFORMER 208/236V CAT. ID Q1C5ESCF OR EQUIVALENT.
 - ALL GROUND RODS SHALL BE 3m LENGTH, 19mm COPPER CLAD, DRIVEN INTO GROUND FOR FULL LENGTH, SPACED MINIMUM 3m APART, AND INTERCONNECTED WITH A #6AWG BARE COPPER CONDUCTOR.
 - REMOVE AND REPLACE ELECTRICAL SERVICE AND MAINTENANCE PANEL AS INDICATED ON THE SINGLE LINE DIAGRAM. RECONNECT ALL EXISTING CIRCUITS.
 - CABLE TRAY SHALL RUN OVER TOP OF CONTAINMENT WALL AND SPAN BETWEEN CONTAINMENT WALL AND STORAGE TANK.
 - CONTRACTOR SHALL PROVIDE JUNCTION BOX TO ALLOW EASY SERVICING OF MIXER AND PUMP.
 - CONTRACTOR TO COORDINATE WITH SUPPLIER OF AIR COMPRESSOR BUILDING TO DETERMINE SCOPE OF SUPPLY OF ALL EQUIPMENT WITHIN THE COMPRESSOR BUILDING.

LEGEND

	PANELBOARD
	FIELD DEVICE
	SINGLE PHASE MOTOR
	THREE PHASE MOTOR
	DISCONNECT SWITCH
	BURIED GROUND CONDUCTOR
	UNDERGROUND WIRING
	JUNCTION BOX
	GROUND ROD
	UTILITY METER
	FLUORESCENT LUMINAIRE
	RECEPTACLE



FOR TENDER ONLY
NOT TO BE USED FOR CONSTRUCTION

METRIC
WHOLE NUMBERS INDICATE MILLIMETRES
DECIMALIZED NUMBERS INDICATE METRES

THE CITY OF WINNIPEG
WATER AND WASTE DEPARTMENT
ENGINEERING DIVISION

BRADY ROAD RESOURCE MANAGEMENT FACILITY (BRRMF) DISPOSAL CELL CONSTRUCTION AND LEACHATE COLLECTION STORAGE (300,000 LITRE) TANK
SHEET 36 OF 44
CITY DRAWING NUMBER

ELECTRICAL PARTIAL SITE PLAN
1-0400A-E0017-001

LOCATION APPROVED UNDERGROUND STRUCTURES

SUPV. U/G STRUCTURES COMMITTEE	DATE
NOTE:	LOCATION OF UNDERGROUND STRUCTURES AS SHOWN ARE BASED ON THE BEST INFORMATION AVAILABLE BUT NO GUARANTEE IS GIVEN THAT ALL EXISTING UTILITIES ARE SHOWN OR THAT THE GIVEN LOCATIONS ARE EXACT. CONFIRMATION OF EXISTENCE AND EXACT LOCATION OF ALL SERVICES MUST BE OBTAINED FROM THE INDIVIDUAL UTILITIES BEFORE PROCEEDING WITH CONSTRUCTION.

B.M. ELEV.			
CONSTRUCTION COMPLETION DATE: YYYY MM DD			
NO.	REVISIONS	DATE	BY
0	ISSUED FOR TENDER	06/15/17	MAP

KGS GROUP
CONSULTING ENGINEERS & PROJECT MANAGERS
WINNIPEG (204) 896-1209
THUNDER BAY (807) 345-2233

DESIGNED BY LU
CHECKED BY GAB
DRAWN BY JPL
APPROVED BY MAP

SCALE: HORIZONTAL -
VERTICAL -
DATE 2017 06 15
DATE

ENGINEER'S SEAL
BOUCHARD
Member 20560
17/06/16
CONSULTANT DRAWING NUMBER
15-0107-014_E02