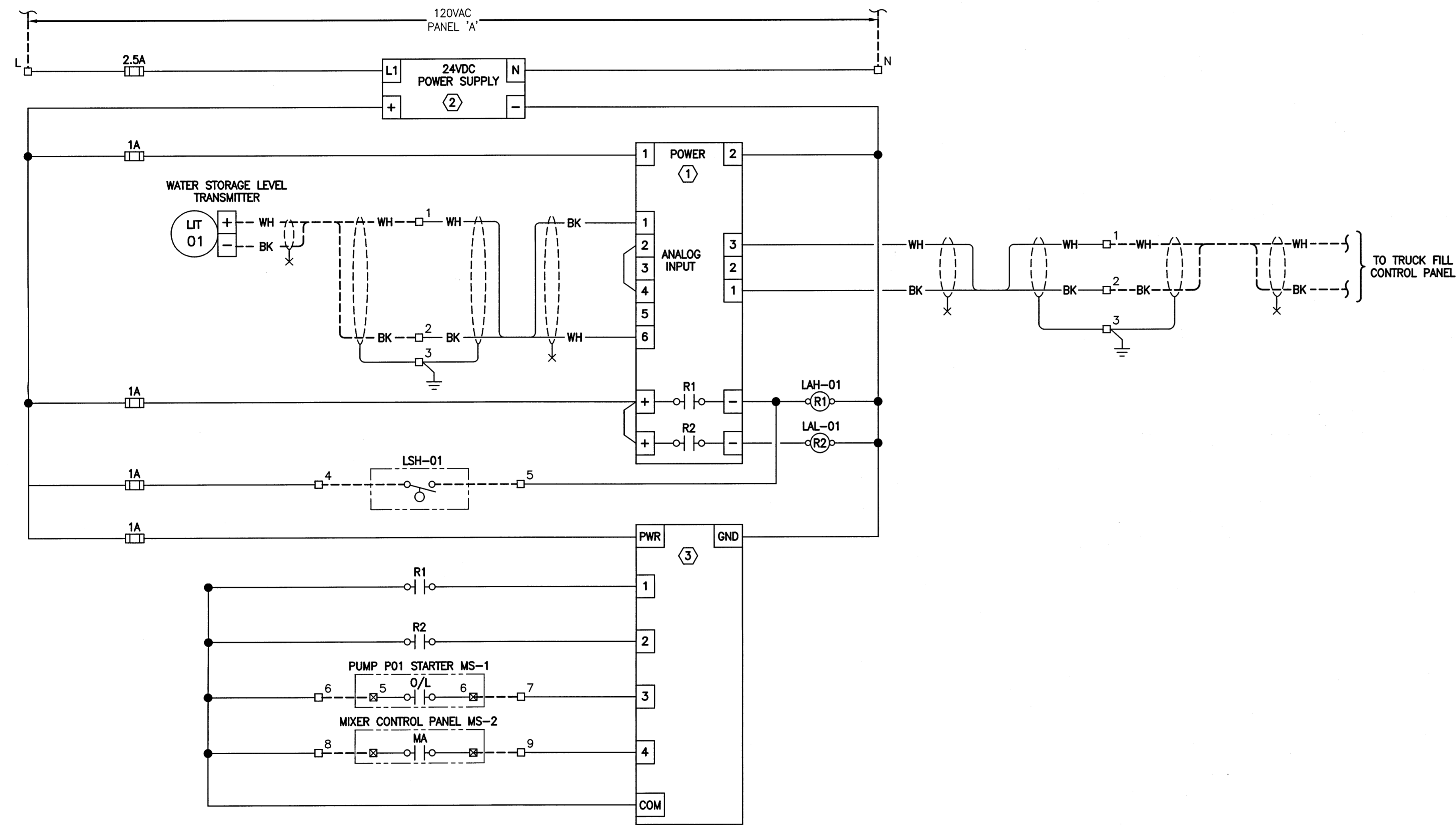
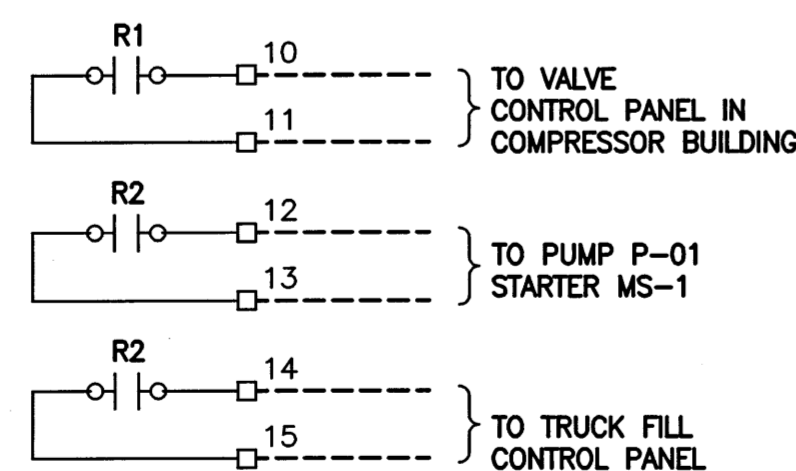


MATERIAL LIST				
TAG NO.	DESCRIPTION	MANUFACTURER	MODEL NO.	QUANTITY
①	LEVEL DISPLAY	PRECISION DIGITAL	PD6000-6R4	1
②	24VDC POWER SUPPLY	PHOENIX CONTACT	2902992	1
③	AUTO-DIALER	BARNETT ENGINEERING	PROTALK CV3 HSPA	1

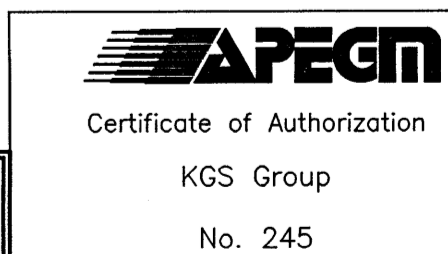
1 VALVE CONTROL PANEL SCHEMATIC DIAGRAM
SCALE: N.T.S.



- LEGEND**
- LOCAL TERMINALS
 - ⊠ FIELD TERMINALS
 - ○ ○ CIRCUIT BREAKER
 - ⊠ FUSE
 - ⊙ ⊙ RELAY
 - ⊎ ⊎ ⊎ NORMALLY OPEN
 - ⊎ ⊎ ⊎ LEVEL SWITCH OPENING ON DROPPING LEVEL
 - FIELD WIRING
 - MANUFACTURER WIRING
 - O/L OVERLOAD
 - R2 HIGH ALARM
 - LIT LEVEL INDICATING TRANSMITTER
 - MA MIXER ALARM
 - LAL LOW ALARM



2 TANK LEVEL CONTROL PANEL SCHEMATIC DIAGRAM
SCALE: N.T.S.



FOR TENDER ONLY
NOT TO BE USED FOR CONSTRUCTION

LOCATION APPROVED UNDERGROUND STRUCTURES SUPV. U/O STRUCTURES COMMITTEE DATE NOTE: LOCATION OF UNDERGROUND STRUCTURES AS SHOWN ARE BASED ON THE BEST INFORMATION AVAILABLE BUT NO GUARANTEE IS GIVEN THAT ALL EXISTING UTILITIES ARE SHOWN OR THAT THE GIVEN LOCATIONS ARE EXACT. CONFIRMATION OF EXISTENCE AND EXACT LOCATION OF ALL SERVICES MUST BE OBTAINED FROM THE INDIVIDUAL UTILITIES BEFORE PROCEEDING WITH CONSTRUCTION.	B.M. ELEV. CONSTRUCTION COMPLETION DATE: YYYY MM DD	KGS GROUP CONSULTING ENGINEERS & PROJECT MANAGERS WINNIPEG (204) 896-1209 THUNDER BAY (807) 345-2233	ENGINEER'S SEAL 	THE CITY OF WINNIPEG WATER AND WASTE DEPARTMENT ENGINEERING DIVISION	BRADY ROAD RESOURCE MANAGEMENT FACILITY (BRRMF) DISPOSAL CELL CONSTRUCTION AND LEACHATE COLLECTION STORAGE (300,000 LITRE) TANK SHEET 40 OF 44 CITY DRAWING NUMBER 1-0400A-E0021-001
	DESIGNED BY LU DRAWN BY JPL SCALE: HORIZONTAL - VERTICAL - DATE 2017 06 15				