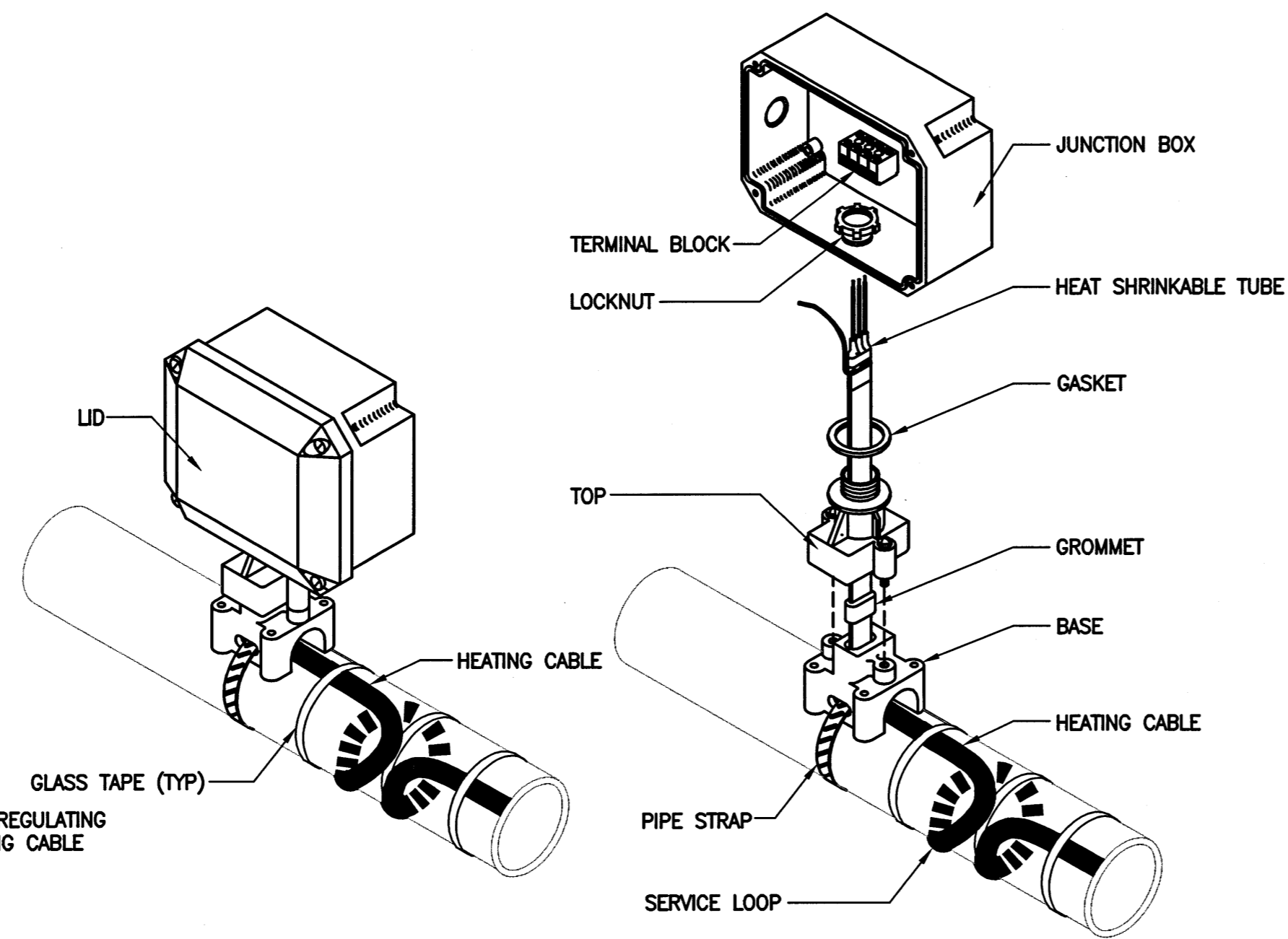
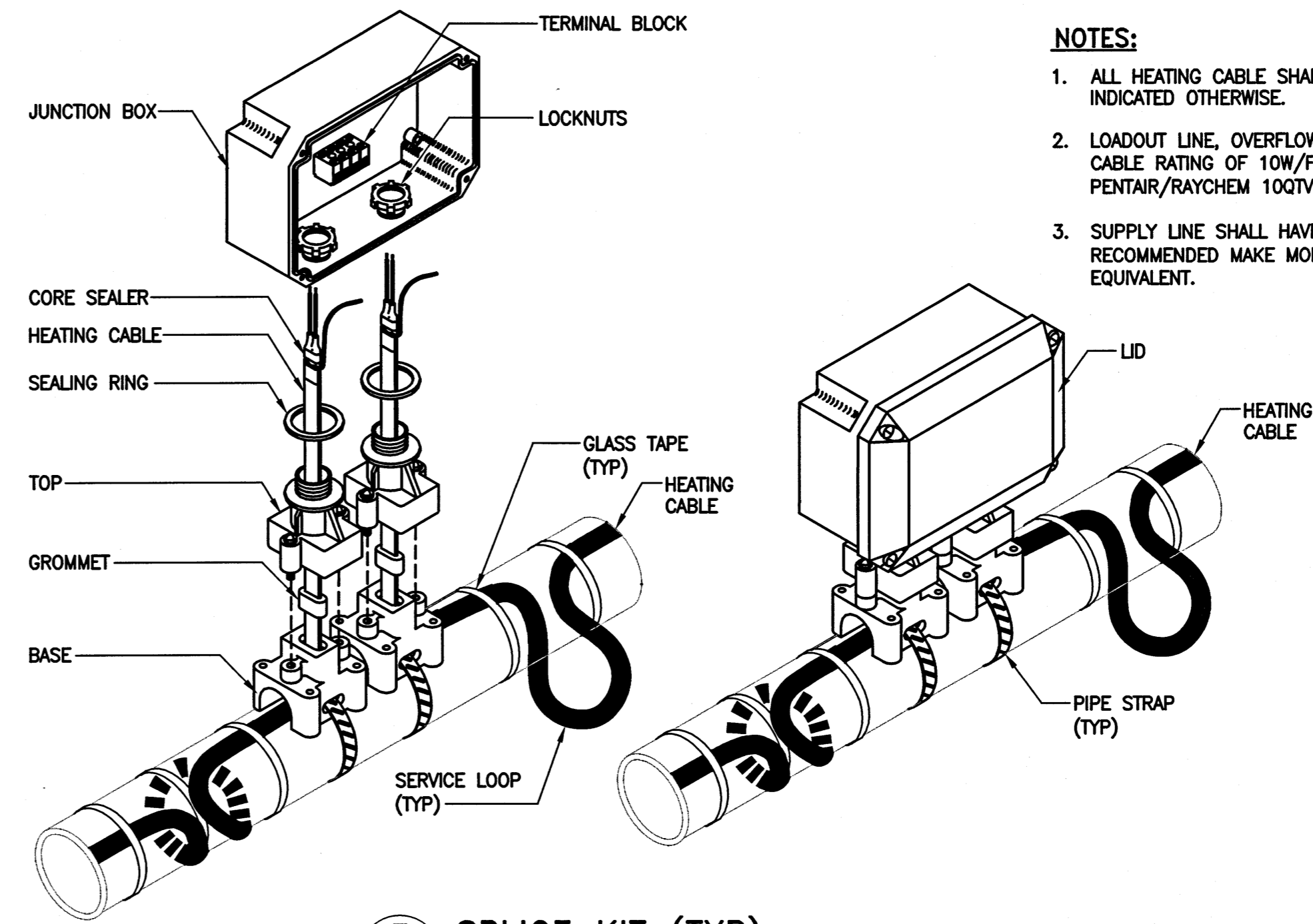


**1 EHT - SELF LIMITING CABLE**  
SCALE: N.T.S.

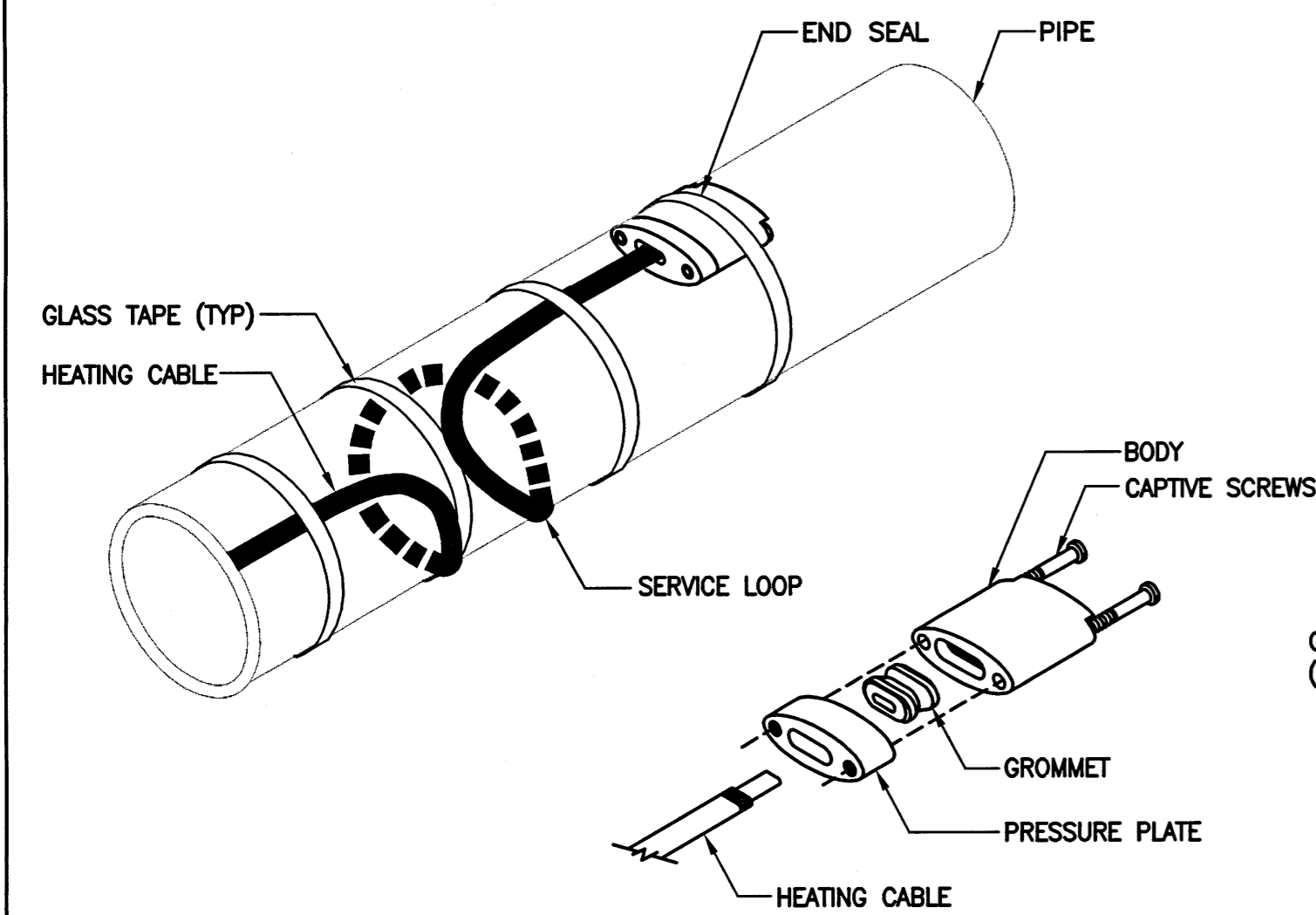


**2 POWER CONNECTION KIT**  
SCALE: N.T.S.

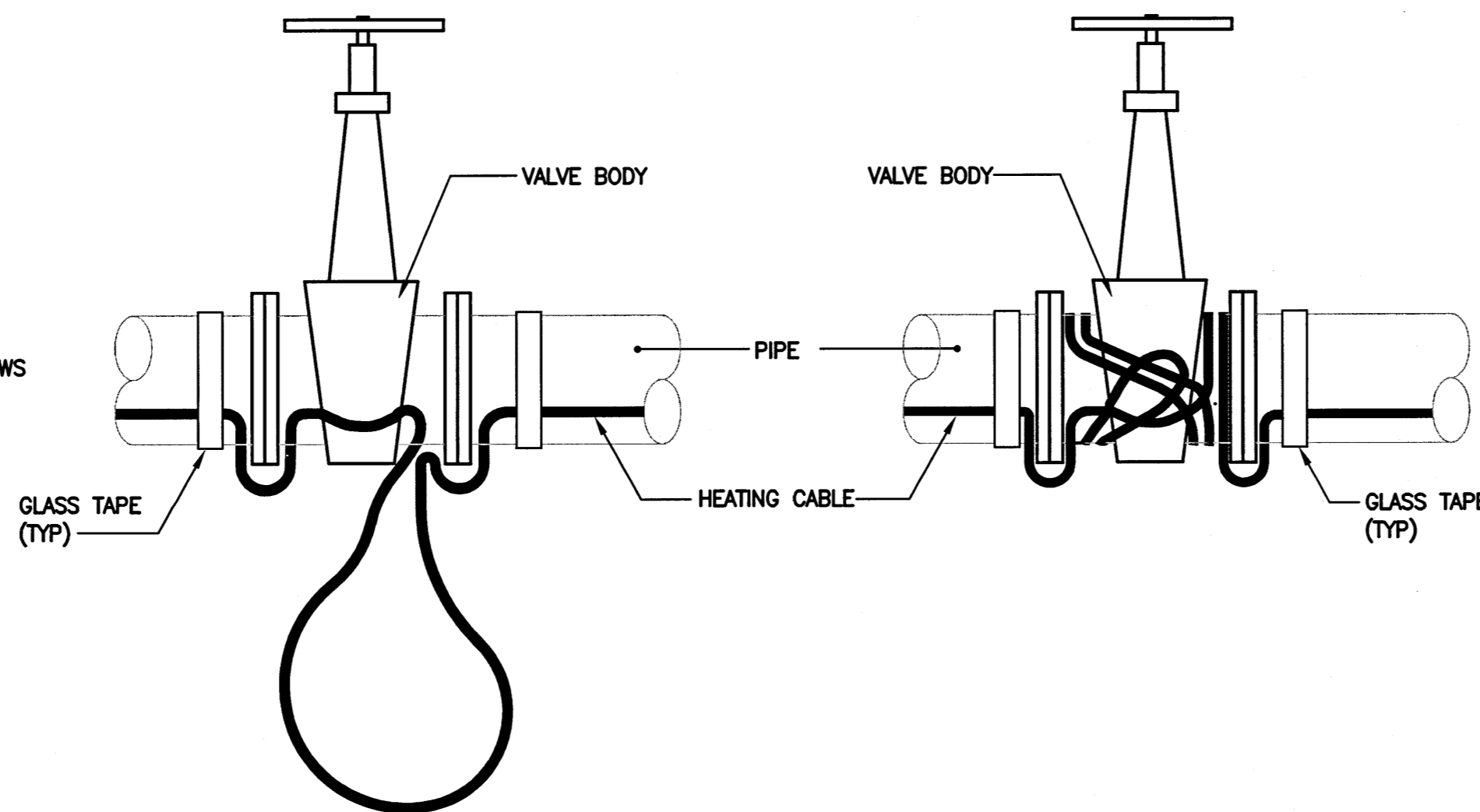


**3 SPLICE KIT (TYP)**  
SCALE: N.T.S.

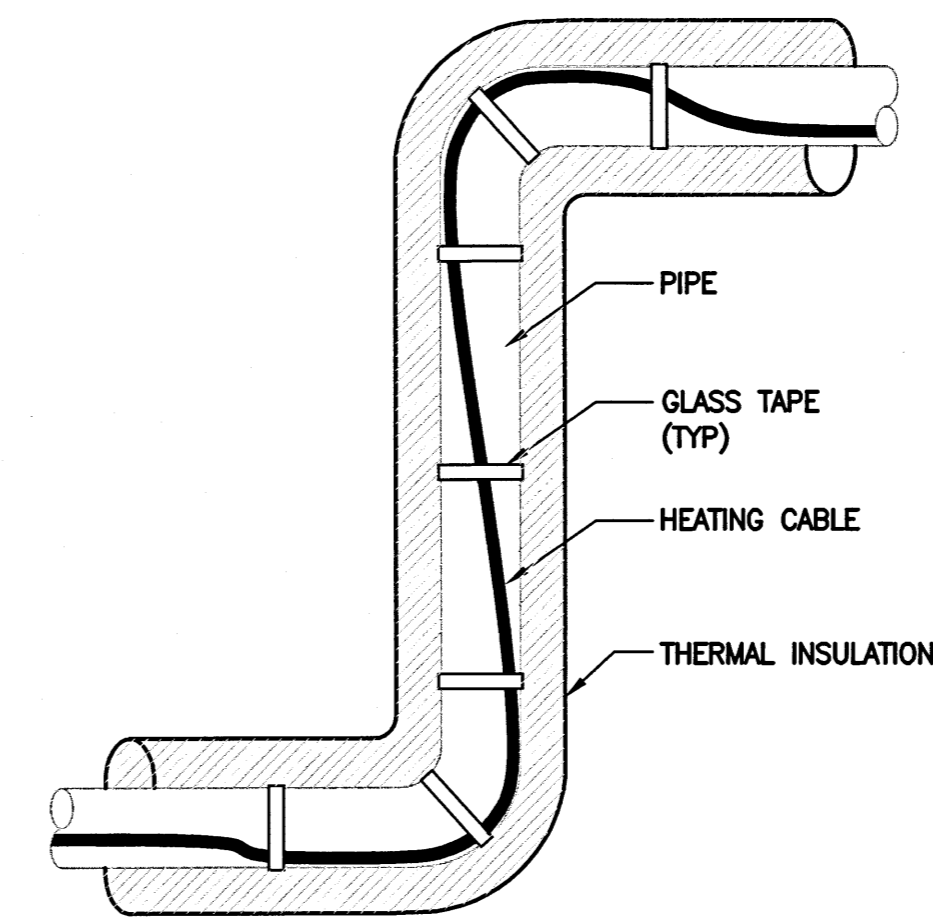
- NOTES:**
1. ALL HEATING CABLE SHALL BE SELF-REGULATING UNLESS INDICATED OTHERWISE.
  2. LOADOUT LINE, OVERFLOW AND VENT SHALL HAVE HEATING CABLE RATING OF 10W/FT. RECOMMENDED MAKE MODEL: PENTAIR/RAYCHEM 10QTVRI-CT OR EQUIVALENT.
  3. SUPPLY LINE SHALL HAVE HEATING CABLE RATING OF 8W/FT. RECOMMENDED MAKE MODEL: PENTAIR/RAYCHEM 8BTVI-CT OR EQUIVALENT.



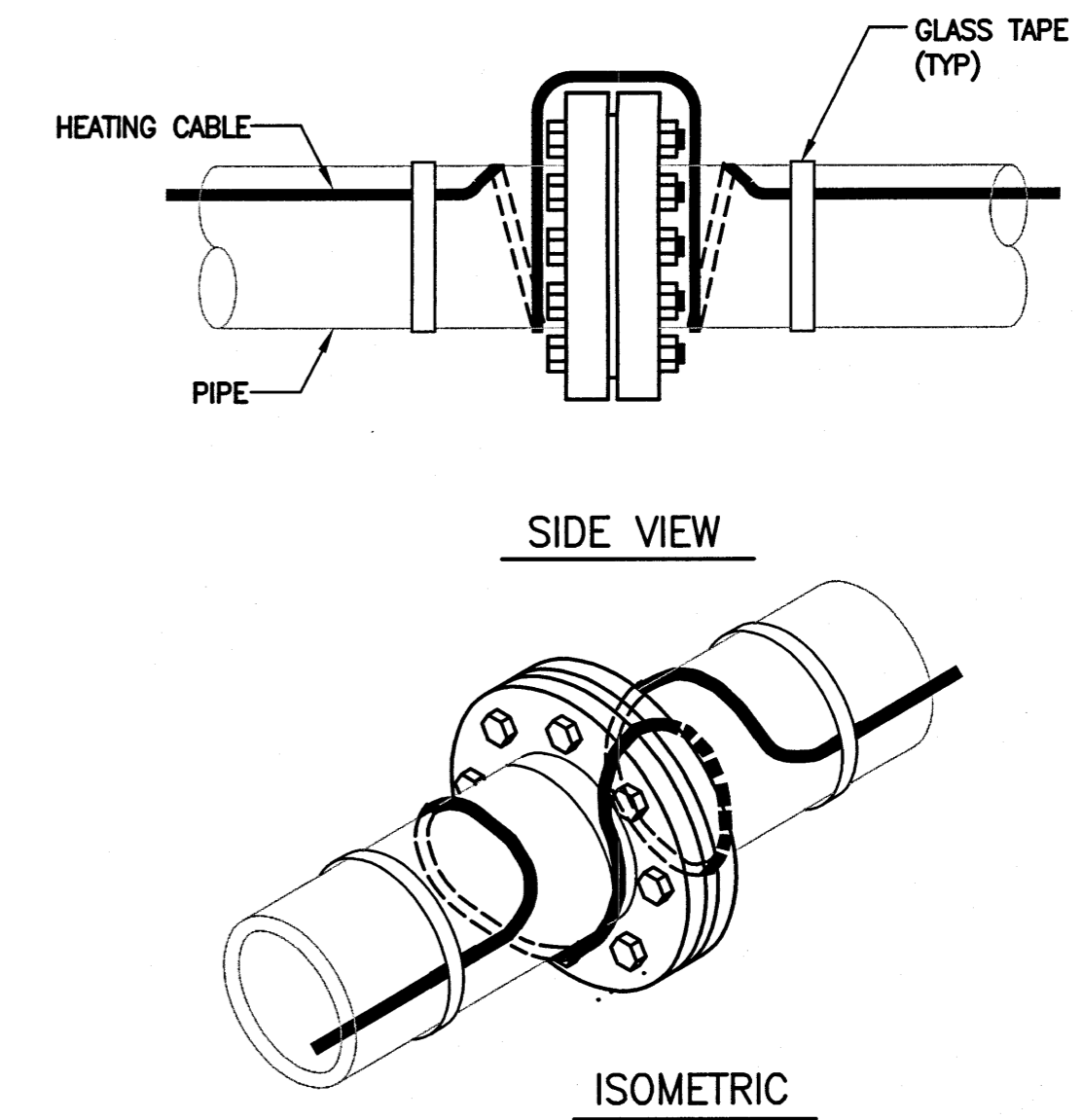
**4 EHT - END SEAL KIT**  
SCALE: N.T.S.



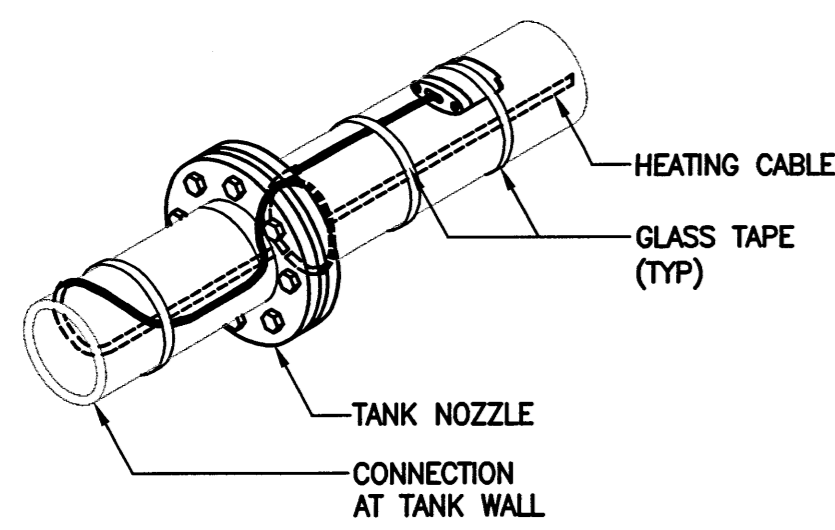
**5 GATE VALVE INSTALLATION (TYP)**  
SCALE: N.T.S.



**6 EHT - ELBOW INSTALLATION (TYP)**  
SCALE: N.T.S.



**7 EHT INSTALLATION ON FLANGE (TYP)**  
SCALE: N.T.S.



**8 EHT ON TANK NOZZLE (TYP)**  
SCALE: N.T.S.

LOCATION APPROVED UNDERGROUND STRUCTURES		B.M. ELEV.
SUPV. U/G STRUCTURES COMMITTEE DATE		CONSTRUCTION COMPLETION DATE: YYYY MM DD
NOTE: LOCATION OF UNDERGROUND STRUCTURES AS SHOWN ARE BASED ON THE BEST INFORMATION AVAILABLE BUT NO GUARANTEE IS GIVEN THAT ALL EXISTING UTILITIES ARE SHOWN OR THAT THE GIVEN LOCATIONS ARE EXACT. CONFIRMATION OF EXISTENCE AND EXACT LOCATION OF ALL SERVICES MUST BE OBTAINED FROM THE INDIVIDUAL UTILITIES BEFORE PROCEEDING WITH CONSTRUCTION.		
0	ISSUED FOR TENDER	06/15/17
NO.	REVISIONS	DATE BY

<b>KGS GROUP</b>		<b>CONSULTING ENGINEERS &amp; PROJECT MANAGERS</b>		ENGINEER'S SEAL
WINNIPEG (204) 896-1209 THUNDER BAY (807) 345-2233		DESIGNED BY LU		
DRAWN BY JPL		CHECKED BY QAB		
SCALE: HORIZONTAL - VERTICAL -		APPROVED BY MAP		CONSULTANT DRAWING NUMBER
DATE 2017 06 15		RELEASED FOR CONSTRUCTION		15-0107-014_E07
PLOT DATE: 2017 06 16		DATE		

**FOR TENDER ONLY**  
NOT TO BE USED FOR CONSTRUCTION

**THE CITY OF WINNIPEG**  
WATER AND WASTE DEPARTMENT  
ENGINEERING DIVISION

BRADY ROAD RESOURCE MANAGEMENT FACILITY (BRRMF) DISPOSAL CELL CONSTRUCTION AND LEACHATE COLLECTION STORAGE (300,000 LITRE) TANK

**ELECTRICAL HEAT TRACE DETAILS**

SHEET 41 OF 44  
CITY DRAWING NUMBER  
1-0400A-E0022-001

**APEGM**  
Certificate of Authorization  
KGS Group  
No. 245