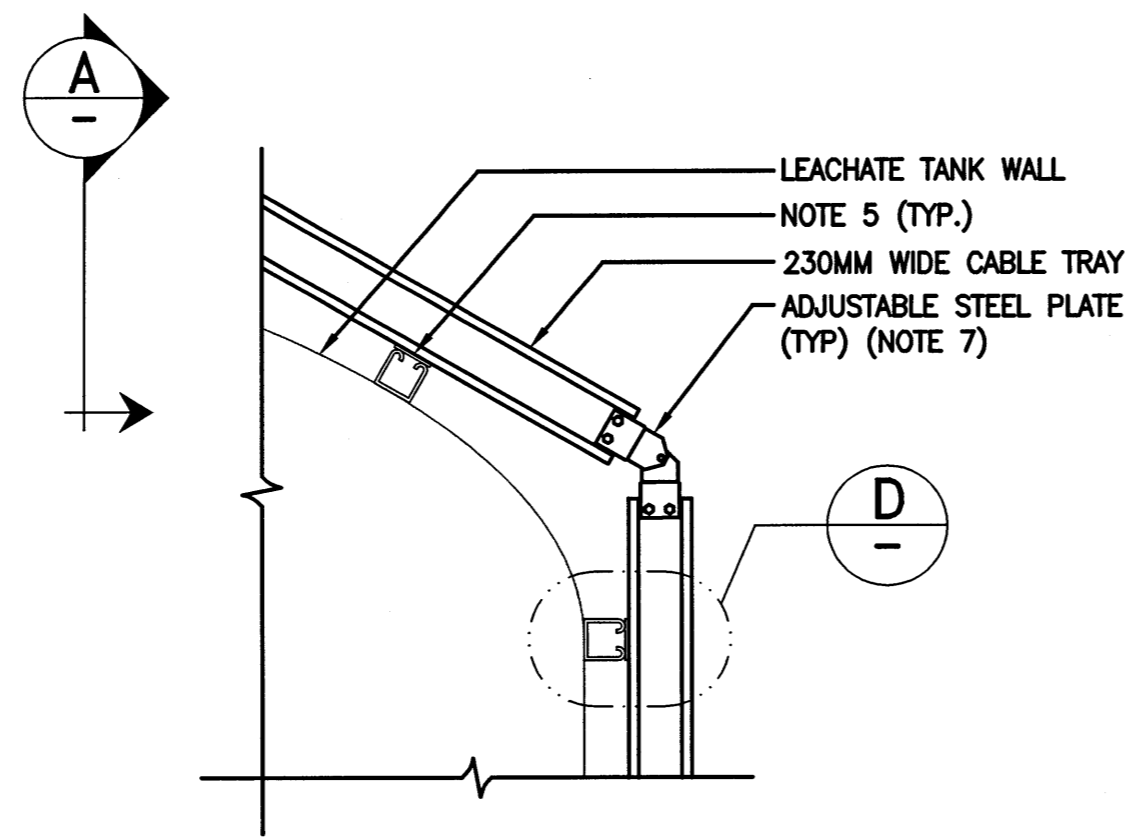
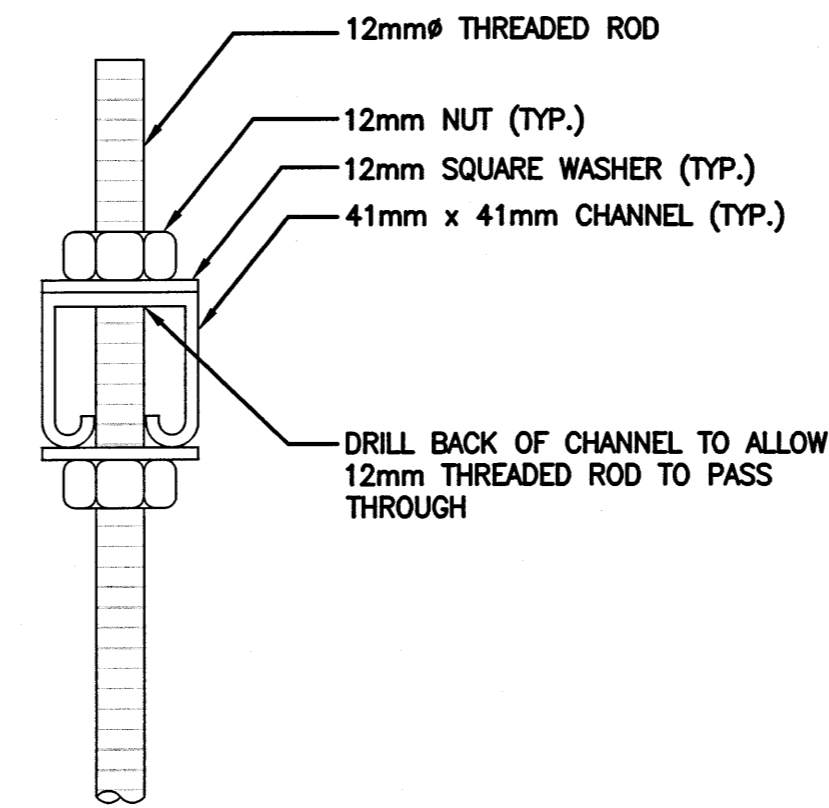


A CABLE TRAY SUPPORT DETAIL
SCALE: N.T.S.



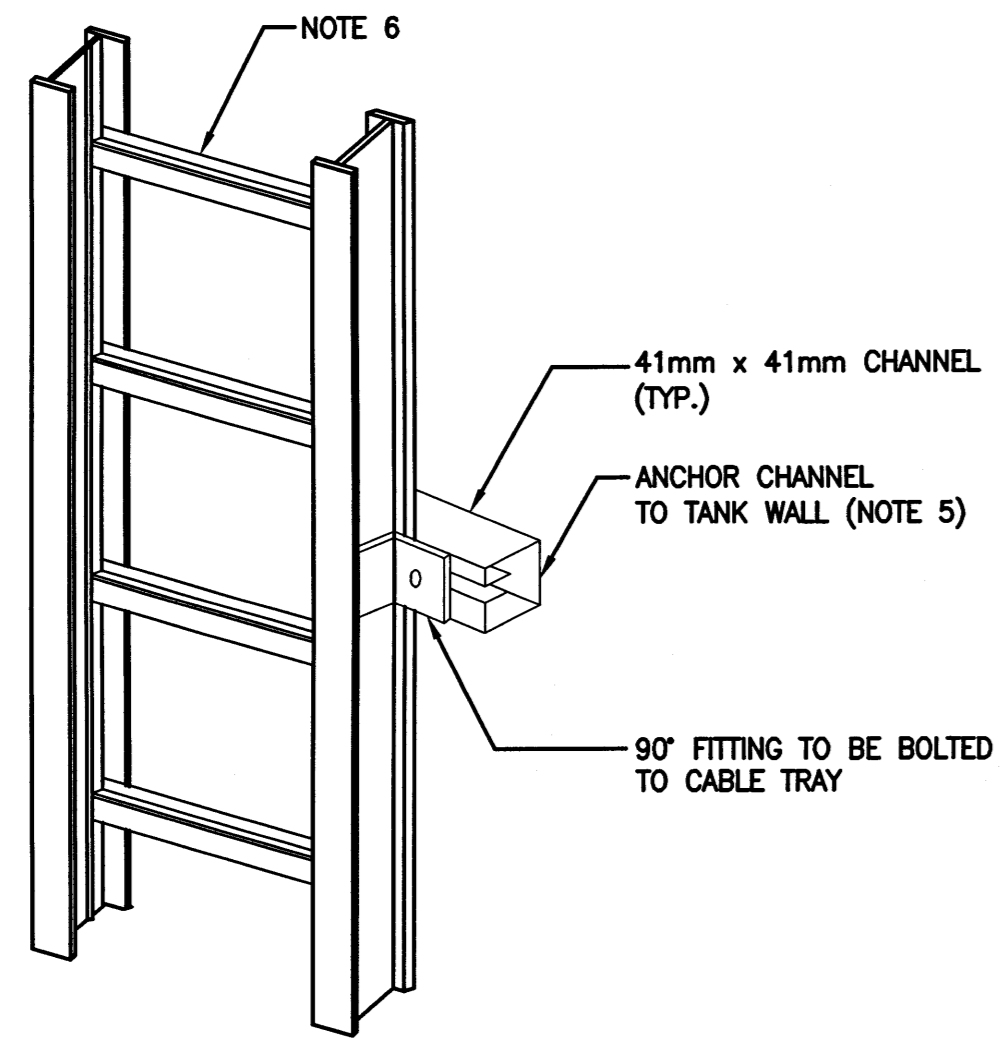
B HORIZONTAL TO VERTICAL TRANSITION DETAIL
SCALE: N.T.S.



C CABLE TRAY SUPPORT DETAIL
SCALE: N.T.S.

NOTES:

1. ALL CABLE TRAY SHALL BE GALVANIZED STEEL, 100mm SIDE RAIL HEIGHT, 76mm LOADING DEPTH, 305mm RUNG SPACING UNLESS INDICATED OTHERWISE, CAPABLE OF SUPPORTING MINIMUM 90kg/m WITH 3m SUPPORT SPANS, WIDTH AS INDICATED ON PLANS.
2. BOND ALL CABLE TRAY SECTIONS AND FITTINGS TO GROUND WITH #6AWG BARE COPPER CONDUCTOR.
3. PROVIDE ADDITIONAL SUPPORTS AS REQUIRED FOR CABLE TRAY FITTINGS TO ACCOMMODATE CHANGE IN ELEVATION AND BENDS IN ACCORDANCE WITH NEMA VEZ CABLE TRAY INSTALLATION GUIDELINES.
4. ALL HARDWARE SHALL BE GALVANIZED STEEL.
5. CONTRACTOR TO COORDINATE WITH TANK MANUFACTURER FOR CABLE TRAY SUPPORTS ON TANK. TANK MANUFACTURER TO PROVIDE CABLE TRAY SUPPORTS FOR ALL CABLE TRAYS FASTENED TO TANK.
6. VERTICAL CABLE TRAYS SHALL BE PROVIDED WITH 230mm SLOTTED MARINE RUNGS, ALTERNATING STRUT ORIENTATION, AND RUNG SPACING CABLES SHALL BE FASTENED TO CABLE TRAY EVERY 457mm. MAXIMUM DISTANCE BETWEEN VERTICAL CABLE TRAY SUPPORTS SHALL NOT EXCEED 3m.
7. ADJUSTABLE STEEL PLATE SHALL HAVE A MINIMUM BEND RADIUS OF 125mm INCH.



D TYP. VERTICAL CABLE TRAY CHANNEL SUPPORT DETAIL
SCALE: N.T.S.



Certificate of Authorization
KGS Group
No. 245

FOR TENDER ONLY
NOT TO BE USED FOR CONSTRUCTION

THE CITY OF WINNIPEG
WATER AND WASTE DEPARTMENT
ENGINEERING DIVISION

BRADY ROAD RESOURCE MANAGEMENT FACILITY (BRRMF)
DISPOSAL CELL CONSTRUCTION AND
LEACHATE COLLECTION STORAGE (300,000 LITRE) TANK

SHEET 42 OF 44
CITY DRAWING NUMBER

ELECTRICAL
CABLE TRAY DETAILS

1-0400A-E0023-001

LOCATION APPROVED UNDERGROUND STRUCTURES SUJIV, U/G STRUCTURES COMMITTEE DATE NOTE: LOCATION OF UNDERGROUND STRUCTURES AS SHOWN ARE BASED ON THE BEST INFORMATION AVAILABLE BUT NO GUARANTEE IS GIVEN THAT ALL EXISTING UTILITIES ARE SHOWN OR THAT THE GIVEN LOCATIONS ARE EXACT. CONFIRMATION OF EXISTENCE AND EXACT LOCATION OF ALL SERVICES MUST BE OBTAINED FROM THE INDIVIDUAL UTILITIES BEFORE PROCEEDING WITH CONSTRUCTION.	B.M. ELEV. CONSTRUCTION COMPLETION DATE: YYYY MM DD	KGS GROUP CONSULTING ENGINEERS & PROJECT MANAGERS WINNIPEG (204) 896-1209 THUNDER BAY (807) 345-2233	ENGINEER'S SEAL 	THE CITY OF WINNIPEG WATER AND WASTE DEPARTMENT ENGINEERING DIVISION BRADY ROAD RESOURCE MANAGEMENT FACILITY (BRRMF) DISPOSAL CELL CONSTRUCTION AND LEACHATE COLLECTION STORAGE (300,000 LITRE) TANK	SHEET 42 OF 44 CITY DRAWING NUMBER 1-0400A-E0023-001
	DESIGNED BY LU CHECKED BY GAB DRAWN BY JPL APPROVED BY MAP MP SCALE: HORIZONTAL - VERTICAL - DATE 2017 06 15 BY GMS		RELEASER FOR CONSTRUCTION DATE CONSULTANT DRAWING NUMBER 15-0107-014_E08		

PLOT DATE: 2017 06 16

BID OPPORTUNITY: 295-2017
CONTRACT NUMBER: 8

FILE PATH: P:\Projects\2015\15-0107-014\DWG\Elec\
FILE NAME: 15-0107-014_E08.dwg