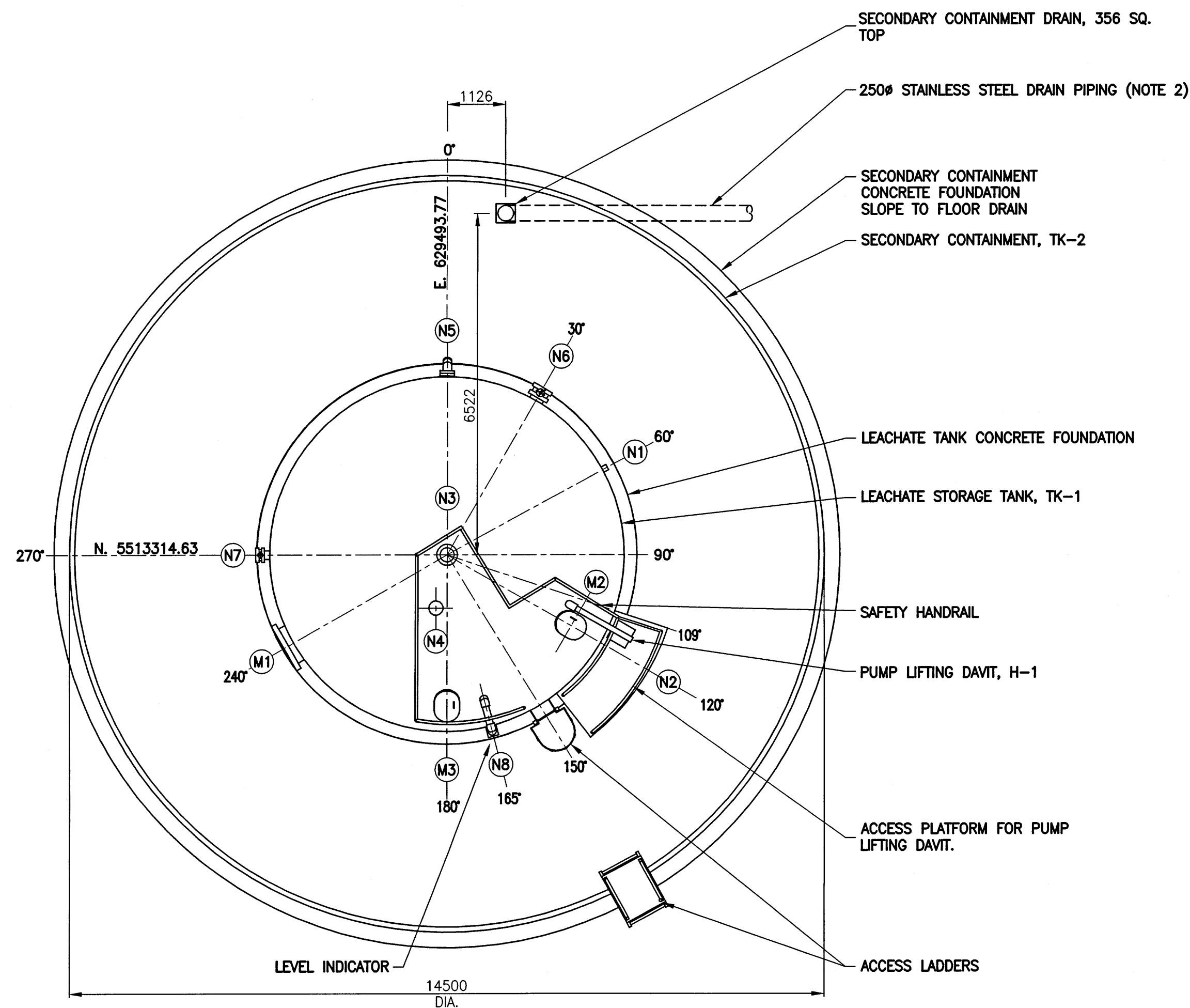


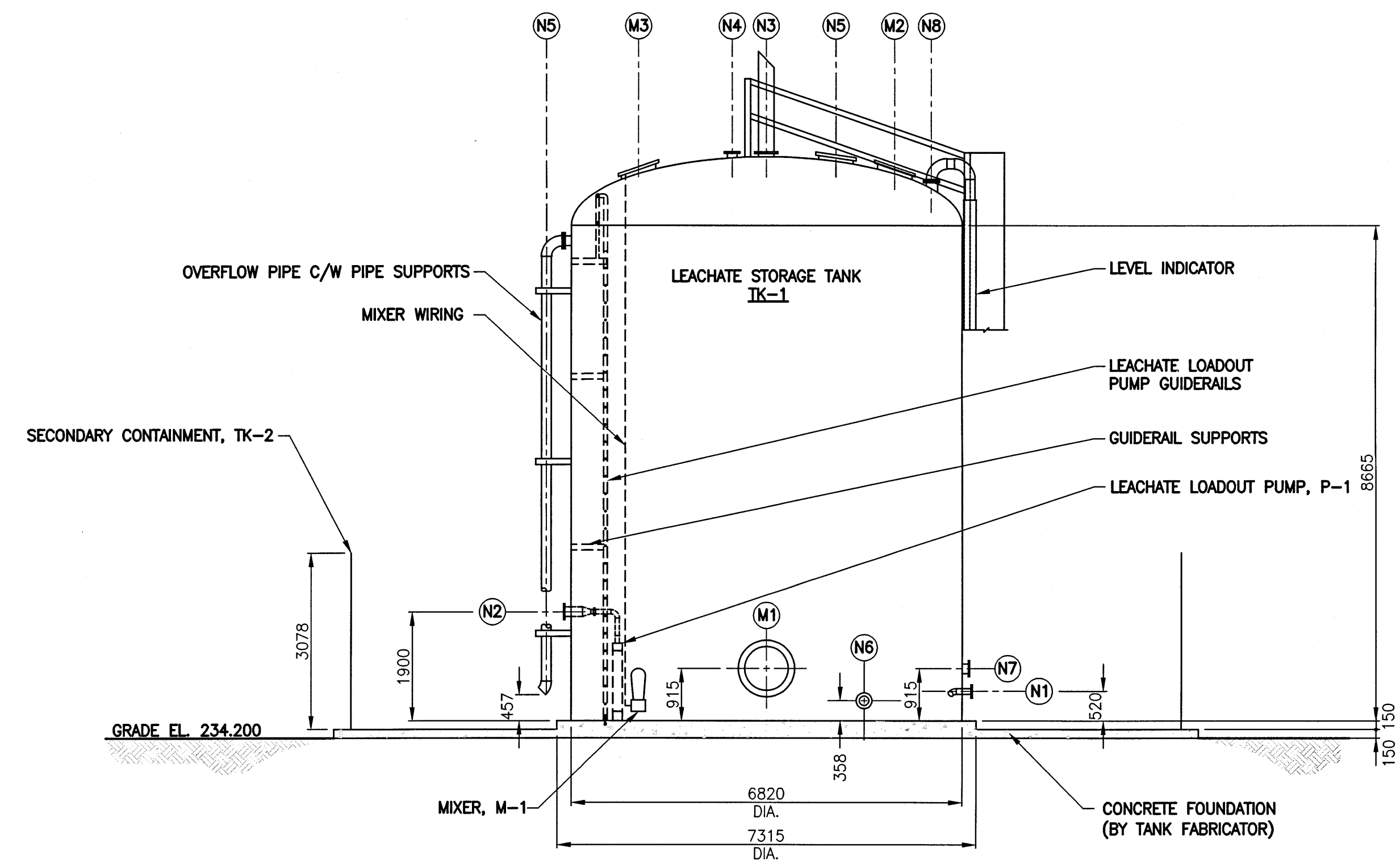
CONNECTION SCHEDULE						
MARK	SIZE	QTY.	SERVICE	FLANGE RATING	FLANGE TYPE	REMARKS
N1	100	1	LEACHATE INLET	150#	RF	INTERNAL PIPE PROJECTION WITH 45 DEGREE ELBOW ROLLED DOWN.
N2	150	1	LEACHATE OUTLET	150#	RF	
N3	TBD	1	VENT	150#	RF	VENT PIPE WITH ELECTRIC HEAT TRACING AND BIRD SCREEN. SIZING TO BE CONFIRMED BY TANK SUPPLIER BASED ON MAX INFLOW AND OUTFLOWS.
N4	150	1	LEVEL TRANSMITTER	150#	RF	
N5	TBD	1	OVERFLOW	150#	RF	OVERFLOW PIPE TO TANK FLOOR WITH PIPE SUPPORTS BY TANK SUPPLIER. SIZING TO BE CONFIRMED BY TANK SUPPLIER BASED ON MAX INFLOW. ELECTRIC HEAT TRACING.
N6	150	1	DRAIN	150#	RF	
N7	150	1	SPARE	150#	RF	
N8	TBD	1	VISUAL LEVEL INDICATOR			SUPPLIED BY TANK FABRICATOR
M1	750	1	MANWAY	N/A		INCLUDE DAVIT ARM
M2	600 x 450	1	PUMP ACCESS	N/A		INCLUDE HINGED COVER
M3	600 x 450	1	MIXER ACCESS / HIGH LEVEL SWITCH	150#		INCLUDE HINGED COVER

GENERAL NOTES:

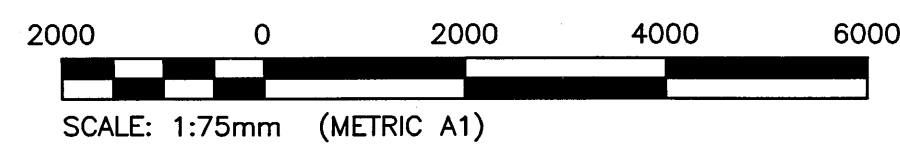
1. REFER TO SHEET 22 FOR MECHANICAL GENERAL NOTES.
2. REFER TO CIVIL DRAWINGS FOR DETAILS (SHEETS 3 TO 20).



1 PLAN
SCALE: 1:75mm



2 ELEVATION
SCALE: 1:75mm



LOCATION APPROVED
UNDERGROUND STRUCTURES

SUPV. U/G STRUCTURES COMMITTEE DATE

NOTE:
LOCATION OF UNDERGROUND STRUCTURES AS SHOWN ARE BASED ON THE BEST INFORMATION AVAILABLE BUT NO GUARANTEE IS GIVEN THAT ALL EXISTING UTILITIES ARE SHOWN OR THAT THE GIVEN LOCATIONS ARE EXACT. CONFIRMATION OF EXISTENCE AND EXACT LOCATION OF ALL SERVICES MUST BE OBTAINED FROM THE INDIVIDUAL UTILITIES BEFORE PROCEEDING WITH CONSTRUCTION.

NO.	REVISIONS	DATE	BY
0	ISSUED FOR TENDER	06/15/2017	MSK

KGS GROUP CONSULTING ENGINEERS & PROJECT MANAGERS

WINNIPEG (204) 896-1209
THUNDER BAY (807) 345-2233

DESIGNED BY: MSK
CHECKED BY: [Signature]
DRAWN BY: ML
APPROVED BY: [Signature]

SCALE: HORIZONTAL AS NOTED
VERTICAL AS NOTED

RELEASED FOR CONSTRUCTION

DATE: 2016 08 17

PLOT DATE: 2017 06 16

ENGINEER'S SEAL

CONSULTANT DRAWING NUMBER
15-0107-014_M05

FOR TENDER ONLY
NOT TO BE USED FOR CONSTRUCTION

METRIC
WHOLE NUMBERS INDICATE MILLIMETRES
DECIMALIZED NUMBERS INDICATE METRES

APEGM
Certificate of Authorization
KGS Group
No. 245

THE CITY OF WINNIPEG
WATER AND WASTE DEPARTMENT
ENGINEERING DIVISION

BRADY ROAD RESOURCE MANAGEMENT FACILITY (BRRMF)
DISPOSAL CELL CONSTRUCTION AND
LEACHATE COLLECTION AND STORAGE (300,000 LITRE) TANK

MECHANICAL
LEACHATE STORAGE TANK GENERAL ARRANGEMENT

SHEET 26 OF 44
CITY DRAWING NUMBER
1-0400A-M0008-001