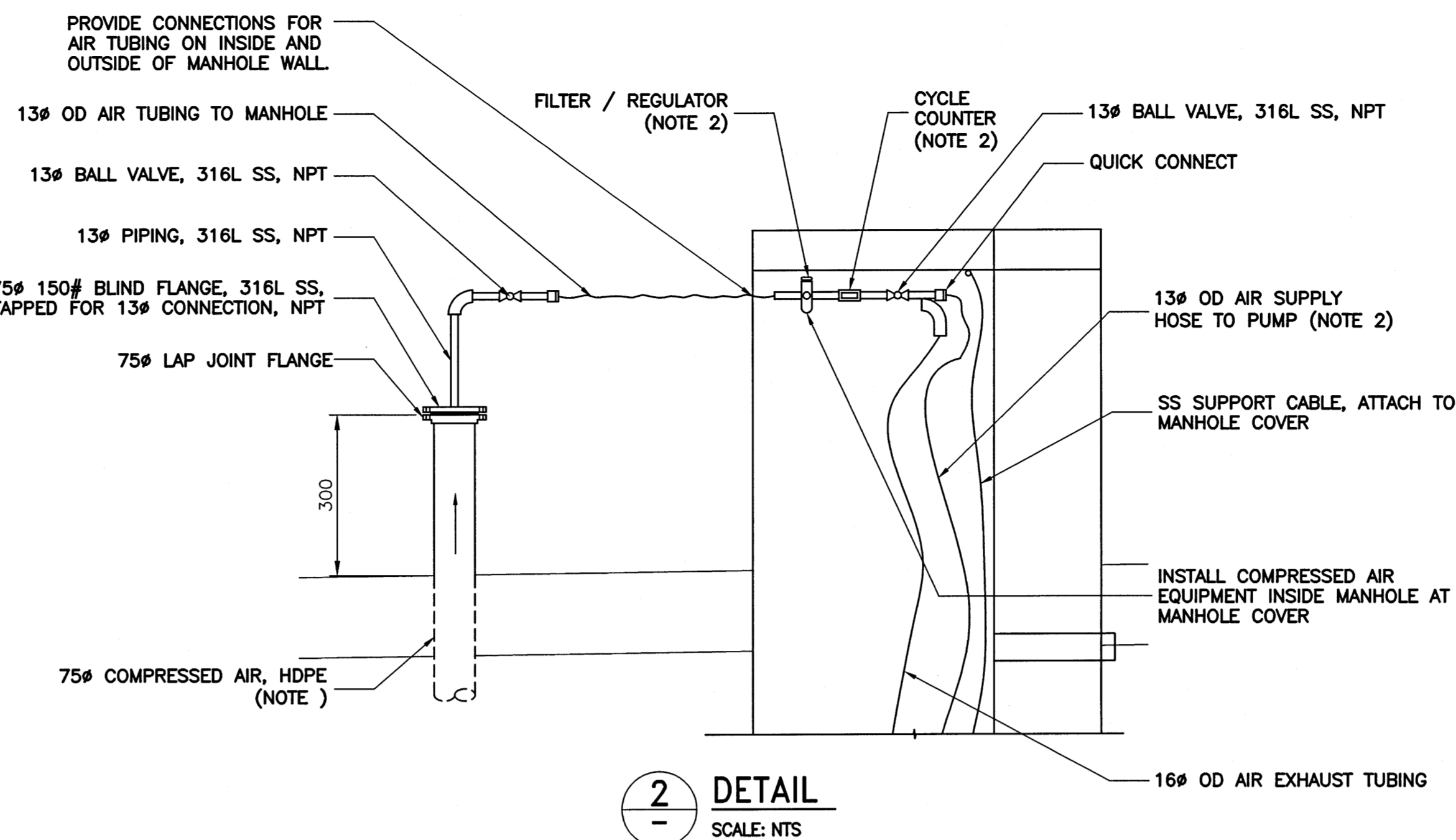
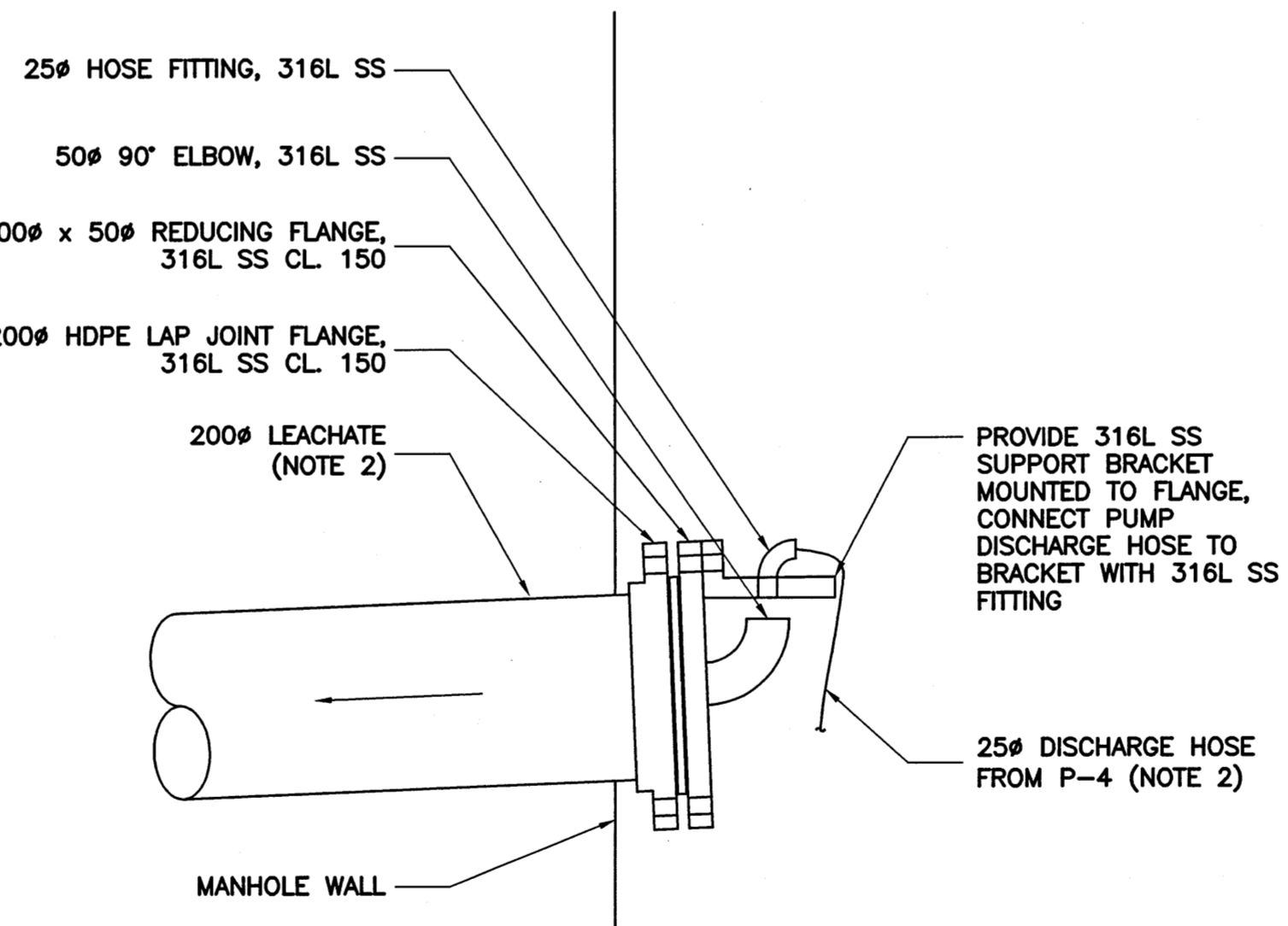


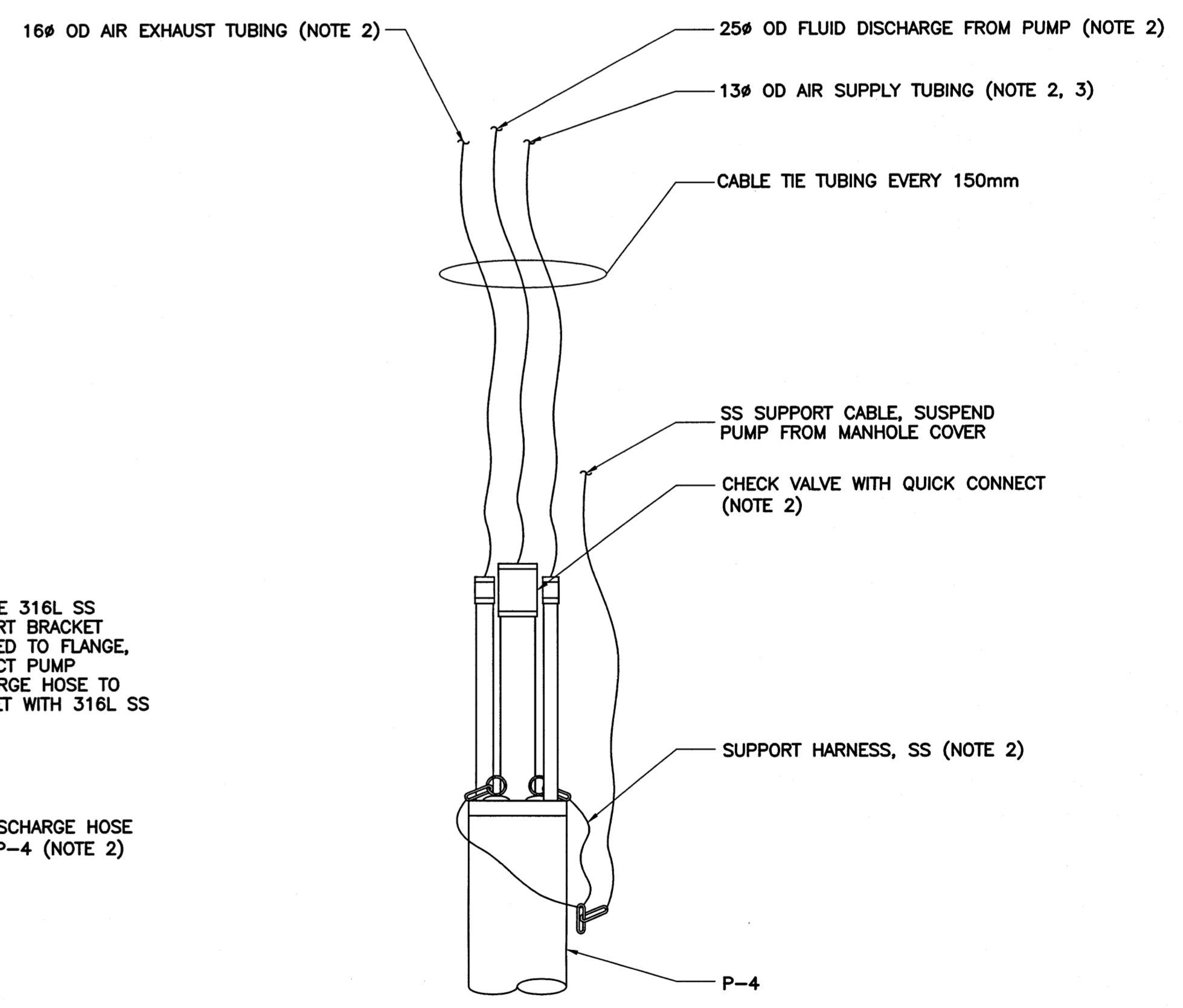
1 CELL 31 SUMP
 SCALE: 1:20mm
 400 0 400 800 1200 1600
 SCALE: 1:20mm (METRIC A1)



2 DETAIL
 SCALE: NTS



3 DETAIL
 SCALE: NTS



4 DETAIL
 SCALE: NTS

GENERAL NOTES:

1. REFER TO SHEET 22 FOR MECHANICAL GENERAL NOTES.
2. SUPPLIED WITH PUMP P-4.
3. PROVIDE SUFFICIENT LENGTH OF TUBING TO ALLOW REMOVAL OF PUMP FROM SUMP.

LOCATION APPROVED
 UNDERGROUND STRUCTURES

SUPV. U/G STRUCTURES COMMITTEE DATE

NOTE:
 LOCATION OF UNDERGROUND STRUCTURES AS SHOWN ARE BASED ON THE BEST INFORMATION AVAILABLE BUT NO GUARANTEE IS GIVEN THAT ALL EXISTING UTILITIES ARE SHOWN OR THAT THE GIVEN LOCATIONS ARE EXACT. CONFIRMATION OF EXISTENCE AND EXACT LOCATION OF ALL SERVICES MUST BE OBTAINED FROM THE INDIVIDUAL UTILITIES BEFORE PROCEEDING WITH CONSTRUCTION.

B.M. ELEV.	
CONSTRUCTION COMPLETION DATE: YYYY MM DD	
ISSUED FOR TENDER	06/15/2017
NO.	REVISIONS
	DATE BY

KGS GROUP CONSULTING ENGINEERS & PROJECT MANAGERS
 WINNIPEG (204) 896-1209
 THUNDER BAY (807) 345-2233

DESIGNED BY MSK CHECKED BY [Signature]
 DRAWN BY ML APPROVED BY [Signature]
 SCALE: HORIZONTAL AS NOTED VERTICAL AS NOTED
 DATE 2016 08 17

ENGINEER'S SEAL

CONSULTANT DRAWING NUMBER
 15-0107-014_M08

FOR TENDER ONLY
 NOT TO BE USED FOR CONSTRUCTION

METRIC
 WHOLE NUMBERS INDICATE MILLIMETRES
 DECIMALIZED NUMBERS INDICATE METRES

THE CITY OF WINNIPEG
 WATER AND WASTE DEPARTMENT
 ENGINEERING DIVISION

BRADY ROAD RESOURCE MANAGEMENT FACILITY (BRRMF)
 DISPOSAL CELL CONSTRUCTION AND
 LEACHATE COLLECTION AND STORAGE (300,000 LITRE) TANK

MECHANICAL
 CELL 31 SUMP

SHEET 29 OF 44
 CITY DRAWING NUMBER
 1-0400A-M0011-001

APEGM
 Certificate of Authorization
 KGS Group
 No. 245