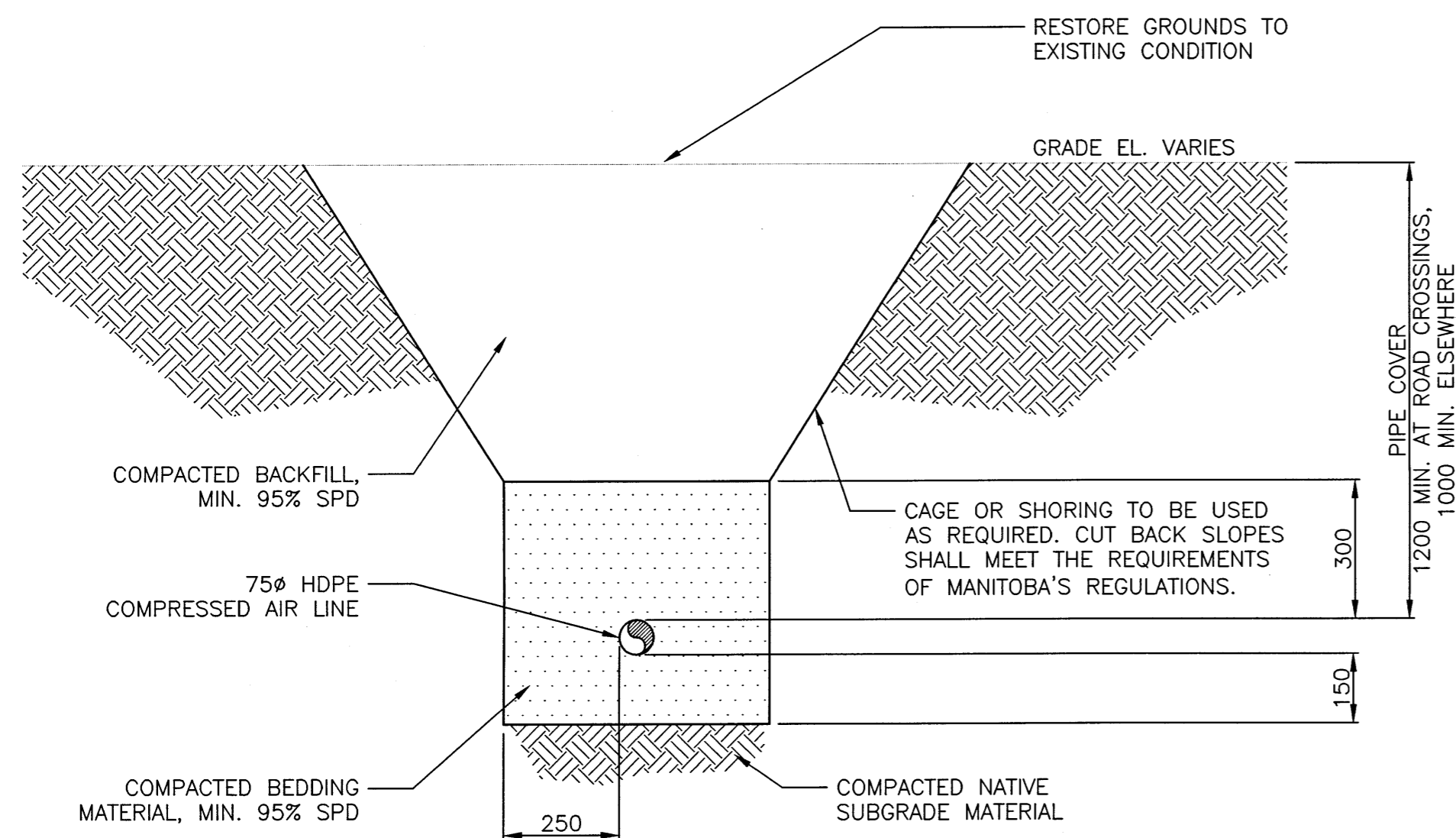
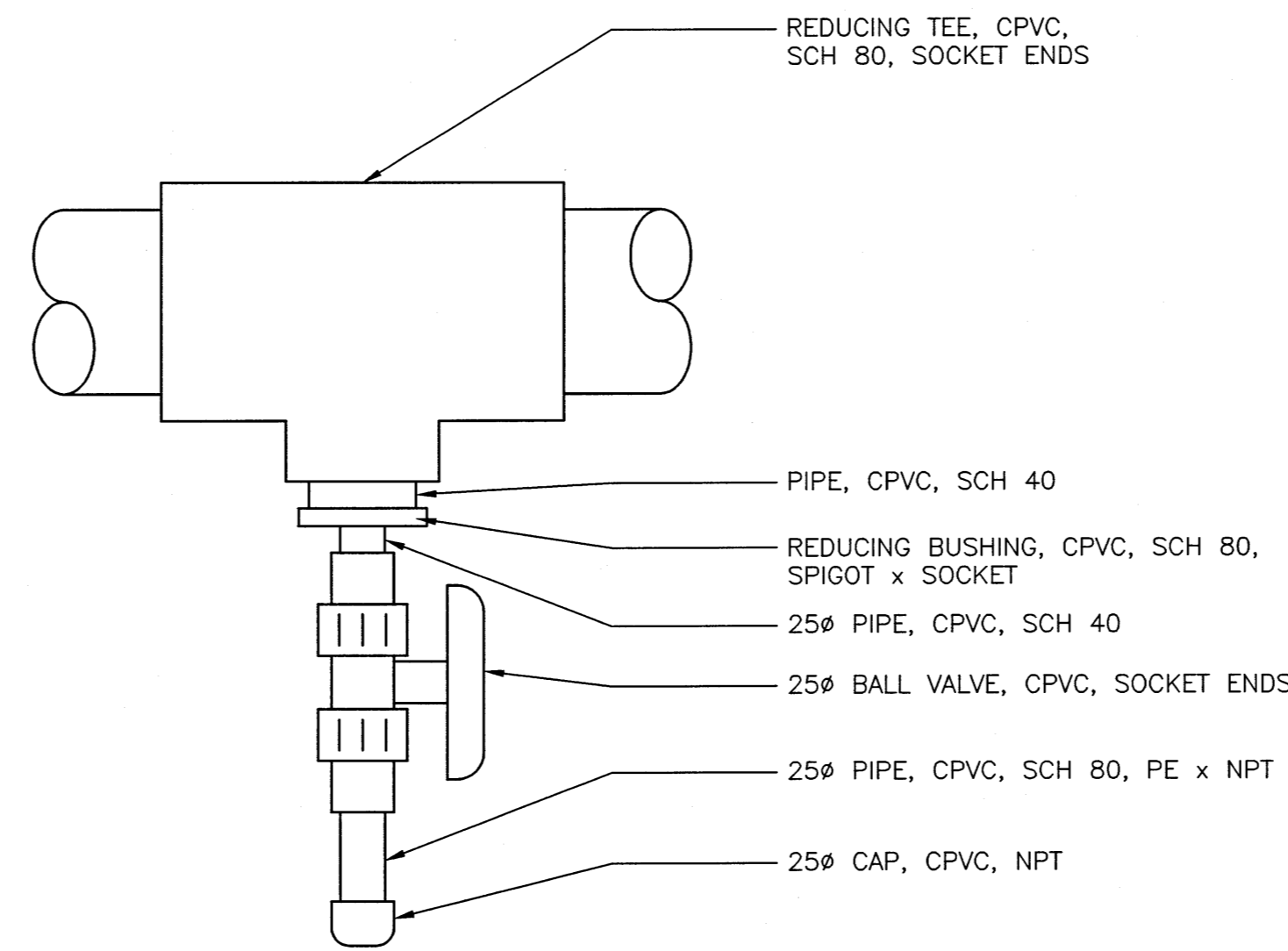


GENERAL NOTES:

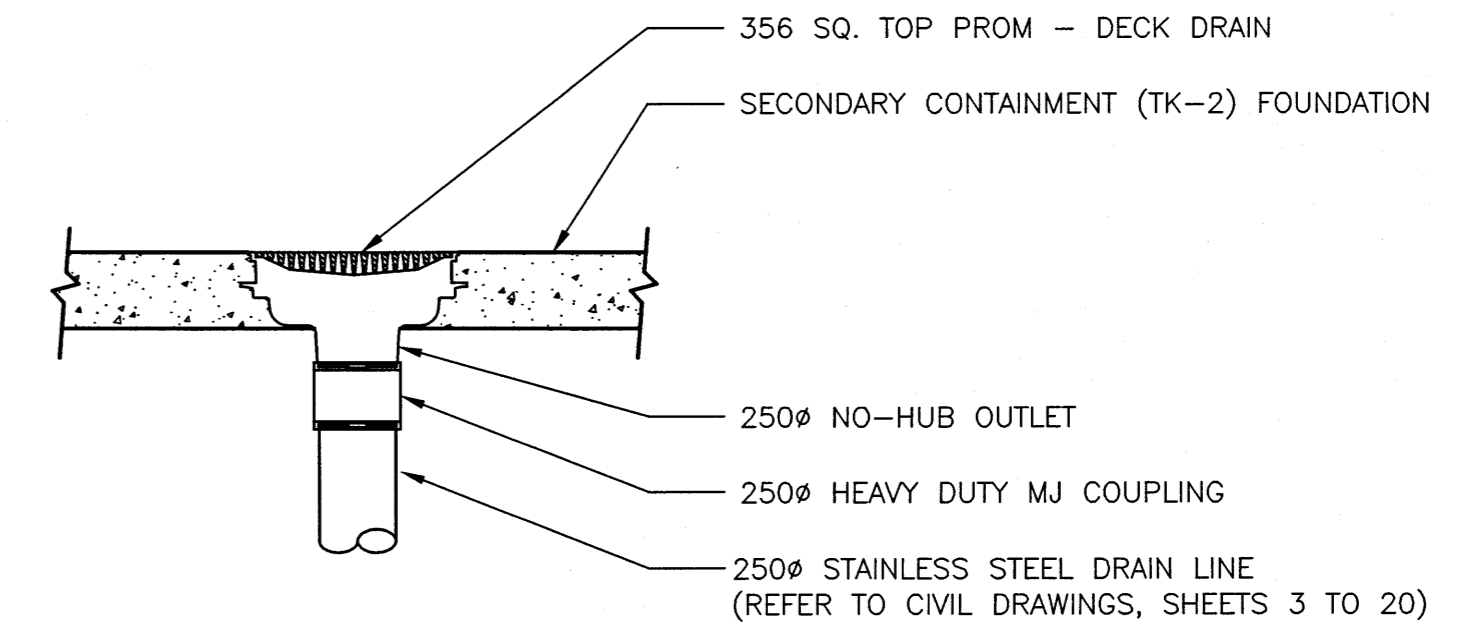
1. REFER TO SHEET 22 FOR MECHANICAL GENERAL NOTES.



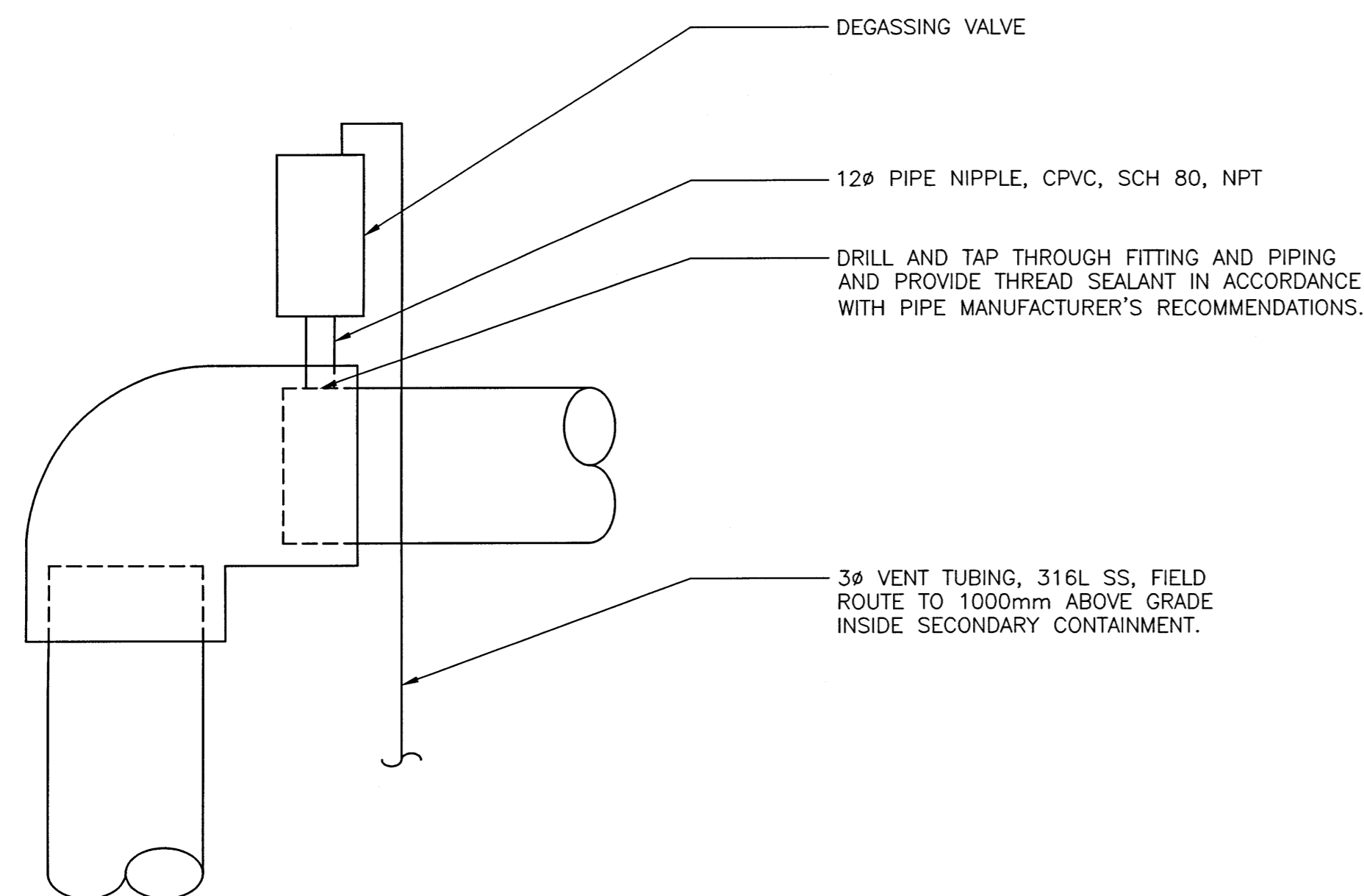
A SECTION - TYPICAL PIPE TRENCH
SHT.22 SCALE: N.T.S.



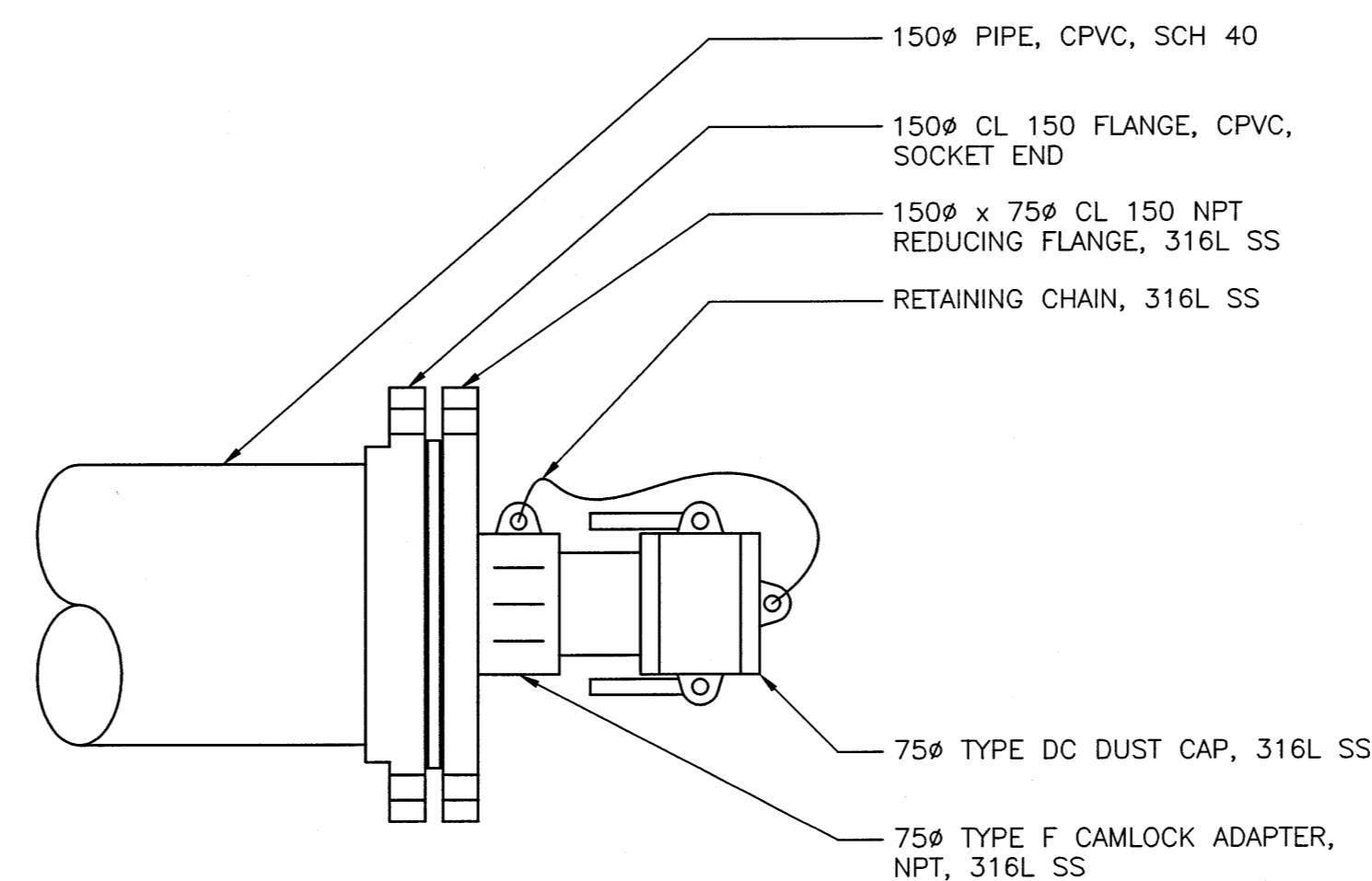
B DETAIL - TYPICAL DRAIN VALVE
SHT.23 SCALE: N.T.S.



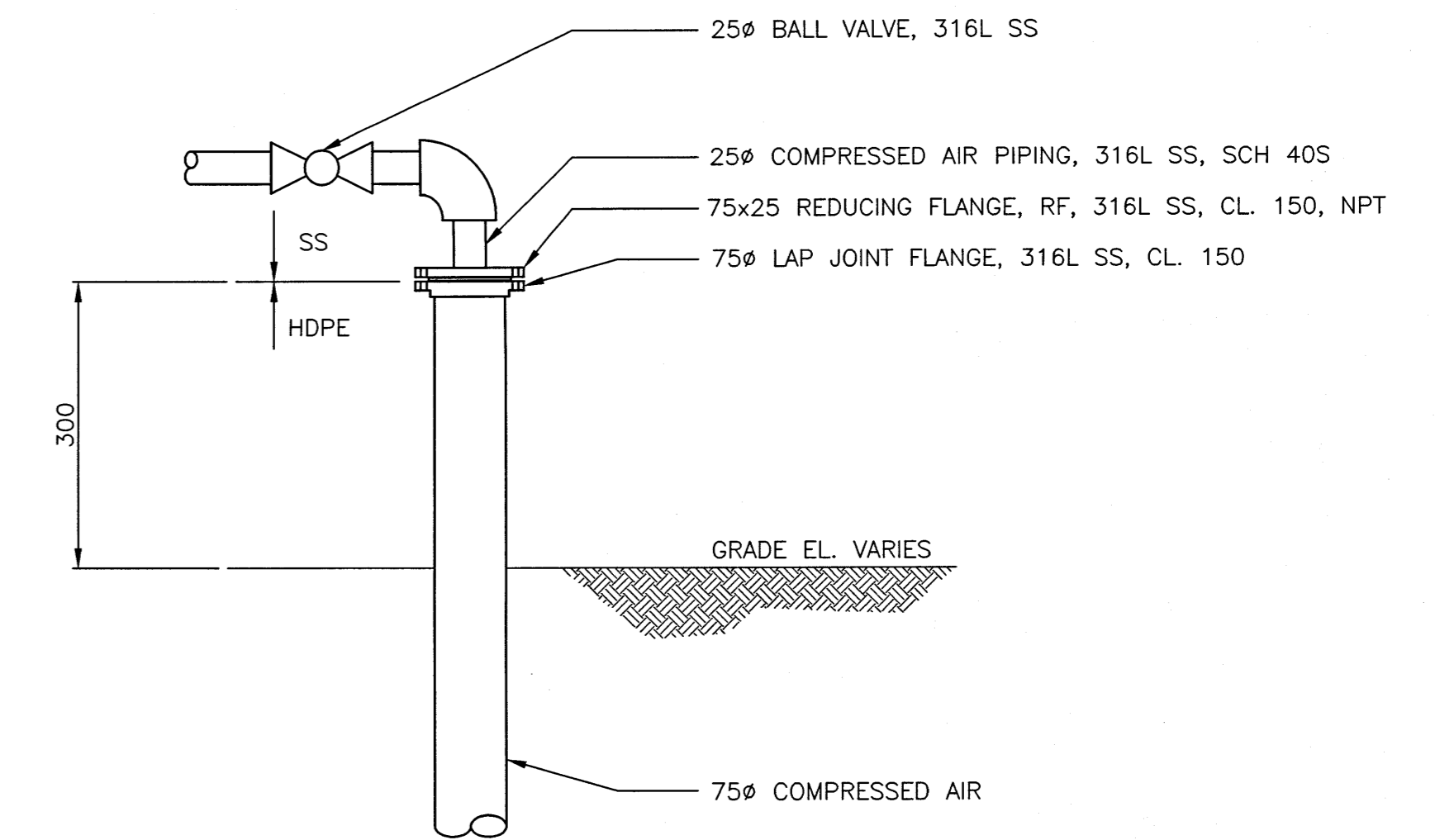
C SECTION - SECONDARY CONTAINMENT DRAIN
SHT.23 SCALE: N.T.S.



D DETAIL - TYPICAL DEGASSING VALVE
SCALE: N.T.S.



E SECTION - LOADOUT CAMLOCK
SHT.23 SCALE: N.T.S.



F DETAIL - TYPICAL COMPRESSED AIR HDPE-SS TRANSITION
SCALE: N.T.S.



Certificate of Authorization
KGS Group
No. 245

FOR TENDER ONLY
NOT TO BE USED FOR CONSTRUCTION

METRIC

WHOLE NUMBERS INDICATE MILLIMETRES
DECIMALIZED NUMBERS INDICATE METRES

KGS GROUP
CONSULTING ENGINEERS & PROJECT MANAGERS
WINNIPEG (204) 896-1209
THUNDER BAY (807) 345-2233

DESIGNED BY MSK
CHECKED BY [Signature]
DRAWN BY ML
APPROVED BY [Signature]
SCALE: HORIZONTAL AS NOTED, VERTICAL AS NOTED
RELEASED FOR CONSTRUCTION
DATE 2016 08 17

ENGINEER'S SEAL
CONSULTANT DRAWING NUMBER
15-0107-014_M10



THE CITY OF WINNIPEG
WATER AND WASTE DEPARTMENT
ENGINEERING DIVISION

BRADY ROAD RESOURCE MANAGEMENT FACILITY (BRRMF)
DISPOSAL CELL CONSTRUCTION AND
LEACHATE COLLECTION AND STORAGE (300,000 LITRE) TANK

MECHANICAL SECTIONS

SHEET 31 OF 44
CITY DRAWING NUMBER
1-0400A-M0013-001

LOCATION APPROVED UNDERGROUND STRUCTURES		B.M. ELEV.
SUPV. U/G STRUCTURES COMMITTEE	DATE	CONSTRUCTION COMPLETION DATE: YYYY MM DD
NOTE: LOCATION OF UNDERGROUND STRUCTURES AS SHOWN ARE BASED ON THE BEST INFORMATION AVAILABLE BUT NO GUARANTEE IS GIVEN THAT ALL EXISTING UTILITIES ARE SHOWN OR THAT THE GIVEN LOCATIONS ARE EXACT. CONFIRMATION OF EXISTENCE AND EXACT LOCATION OF ALL SERVICES MUST BE OBTAINED FROM THE INDIVIDUAL UTILITIES BEFORE PROCEEDING WITH CONSTRUCTION.		
0	ISSUED FOR TENDER	06/15/2017
NO.	REVISIONS	DATE BY

PLOT DATE: 2017 06 16

BID OPPORTUNITY: 295-2017
CONTRACT NUMBER: 8

FILE PATH: P:\PROJECTS\2015\15-0107-014\DWG\MECH
FILE NAME: 15-0107-014_M10.dwg