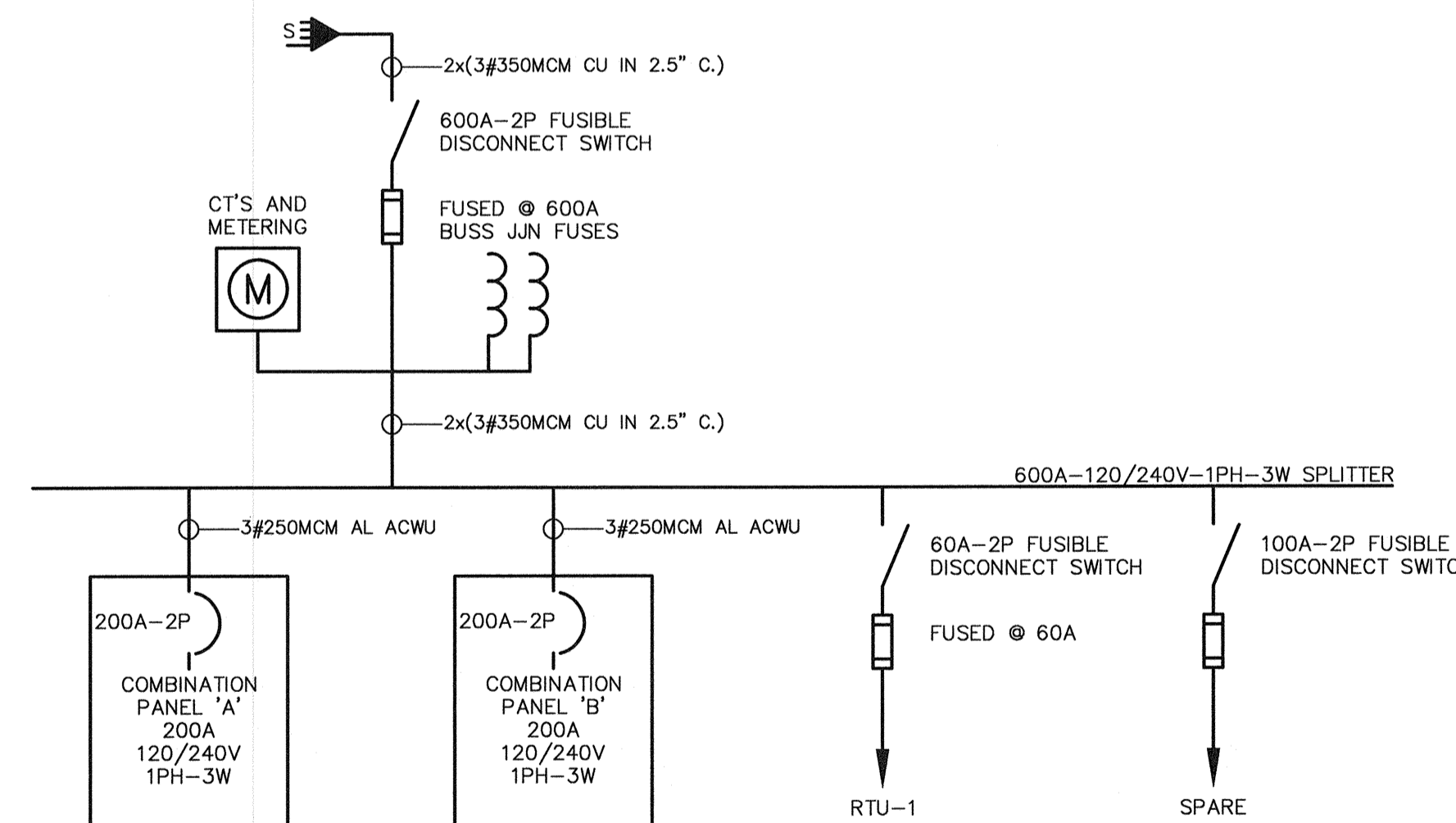


PANEL A		VOLTAGE	
MOUNTING SURFACE	120/240-1PH-3W		
LOCATION MECH RM 108	200A C/W MAIN C.B.		
	REMARKS C/W DOOR		
DESCRIPTION	BKR	CIRCUIT	DESCRIPTION
LIGHTING	15	1-2	DOOR OPERATOR
LIGHTING	15	3-4	DOOR OPERATOR
LIGHTING	15	5-6	FORCE FLOW HEATER
HAND DRYERS	15	7-8	
GF RECEPTACLE	15	9-10	FORCE FLOW HEATER
BASEBOARD HEATERS	20	11-12	
BASEBOARD HEATERS	20	13-14	EF-1
HAND DRYERS	15	15-16	HRV-1
GF RECEPTACLE	15	17-18	HWT-1
RECEPTACLES	15	19-20	SPACE
HAND DRYER	15	21-22	SPACE
SC RECEPTACLE	15	23-24	SPACE
SC RECEPTACLE	15	25-26	SPACE
GF RECEPTACLES	15	27-28	SPACE
GF RECEPTACLE	15	29-30	SPACE
MICROWAVE	15	31-32	SPACE
RECEPTACLES	15	33-34	SPACE
RECEPTACLES	15	35-36	SPACE
RECEPTACLES	15	37-38	SPACE
SC T-SLOT RECEPTACLE	20	39-40	SPACE
RECEPTACLES	15	41-42	SPACE
HAND DRYER	15	43-44	SPACE
GF WP RECEPTACLE	15	45-46	SPACE
MICROWAVE	15	47-48	SPACE
RECEPTACLES	15	49-50	SPACE
RECEPTACLES	15	51-52	SPACE
AUTOMATIC FAUCET/FLUSH	15	53-54	SPACE
AUTOMATIC FAUCET/FLUSH	15	55-56	SPACE
P-1	15	57-58	TELEPHONE
SPACE	-	59-60	EMERGENCY/ NIGHT LIGHTING

PANEL B		VOLTAGE	
MOUNTING SURFACE	120/240V-1PH-3W		
LOCATION MECH RM 108	200A C/W MAIN C.B.		
	REMARKS C/W DOOR		
DESCRIPTION	BKR	CIRCUIT	DESCRIPTION
EXTERIOR LIGHTING	15	1-2	IPLC RECEPTACLE
EXTERIOR LIGHTING	15	3-4	IPLC RECEPTACLE
EXTERIOR LIGHTING	15	5-6	IPLC RECEPTACLE
EXTERIOR LIGHTING	15	7-8	IPLC RECEPTACLE
LIGHTING	15	9-10	UH-3
OVERHEAD DOOR OPERATOR	15	11-12	UH-3
OVERHEAD DOOR OPERATOR	15	13-14	SPARE
OVERHEAD DOOR OPERATOR	15	15-16	SPARE
GF WP RECEPTACLE	15	17-18	AIR COMPRESSOR
GF WP RECEPTACLE	15	19-20	
RECEPTACLE	15	21-22	SPARE
SC RECEPTACLE	15	23-24	EF-3
SC RECEPTACLE	15	25-26	EF-2
SC RECEPTACLE	15	27-28	UH-1 (#10 WIRE)
SC RECEPTACLE	15	29-30	
SC RECEPTACLE	15	31-32	T-SLOT SC RECEPTACLE
SC RECEPTACLE	15	33-34	UH-2 (#10 WIRE)
SC RECEPTACLE	15	35-36	
SC RECEPTACLE	15	37-38	EXISTING CAR RECEPTACLES
SC RECEPTACLE	15	39-40	EXISTING CAR RECEPTACLES
SC RECEPTACLE	15	41-42	EXISTING CAR RECEPTACLES
SC RECEPTACLE	15	43-44	EXISTING CAR RECEPTACLES
SC RECEPTACLE	15	45-46	SPACE
SC RECEPTACLE	15	47-48	SPACE
SC RECEPTACLE	15	49-50	SPACE
SC RECEPTACLE	15	51-52	SPACE
SC RECEPTACLE	15	53-54	SPACE
SC RECEPTACLE	15	55-56	SPACE
AUTOMATIC FAUCET/FLUSH	15	57-58	SPACE
SPACE	-	59-60	SPACE



SINGLE LINE DIAGRAM

N.T.S

\* SIZE CIRCUIT BREAKER AND WIRING ACCORDING TO THE FINAL NAMEPLATE RATING ON THE EQUIPMENT.

4	YY.MM.DD	-
3	YY.MM.DD	-
2	YY.MM.DD	-
1	YY.MM.DD	-
0	17.06.30	- ISSUED FOR CONSTRUCTION
No.	DATE	REVISION / ISSUANCE



Architect



Engineer

**NOVA 3 ENGINEERING LTD.**  
CONSULTING ENGINEERS

201-120 FORT STREET TEL.: (204) 943-6142  
WINNIPEG, MANITOBA R3C 1C7 FAX.: (204) 942-1276  
WWW.NOVA3.CA J.N.: 35-087

THIS DRAWING IS THE EXCLUSIVE PROPERTY OF NOVA 3 ENGINEERING LTD. AND MAY ONLY BE REPRODUCED WITH THE WRITTEN PERMISSION OF NOVA 3 ENGINEERING LTD.

THE CONCEPT AND DESIGN INCORPORATED INTO THIS DRAWING ARE BASED ON INFORMATION PROVIDED BY THE CLIENT AND OTHER RELATED SOURCES. PROFESSIONAL ENGINEER ACCEPTS NO RESPONSIBILITY FOR DRAWING AND DESIGN UNLESS DRAWING IS ACCOMPANIED BY ORIGINAL SEALED LETTER OF INTENT OR EQUIVALENT ACCEPTABLE FACSIMILE. PROFESSIONAL ENGINEER ACCEPTS NO RESPONSIBILITY FOR FINAL INSTALLATION CONFORMANCE WITHOUT ORIGINAL SEALED CERTIFICATE OF INSPECTION OR EQUIVALENT ACCEPTABLE FACSIMILE.

Project

BID OPPORTUNITY 450-2017  
KILDONAN PARK  
MAINTENANCE BUILDING

Sheet Title

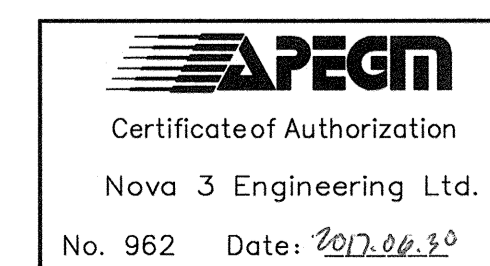
**ELECTRICAL DISTRIBUTION  
AND PANEL SCHEDULE**

Project No.

1559

Date

JUNE 30, 2017



**E3.0**