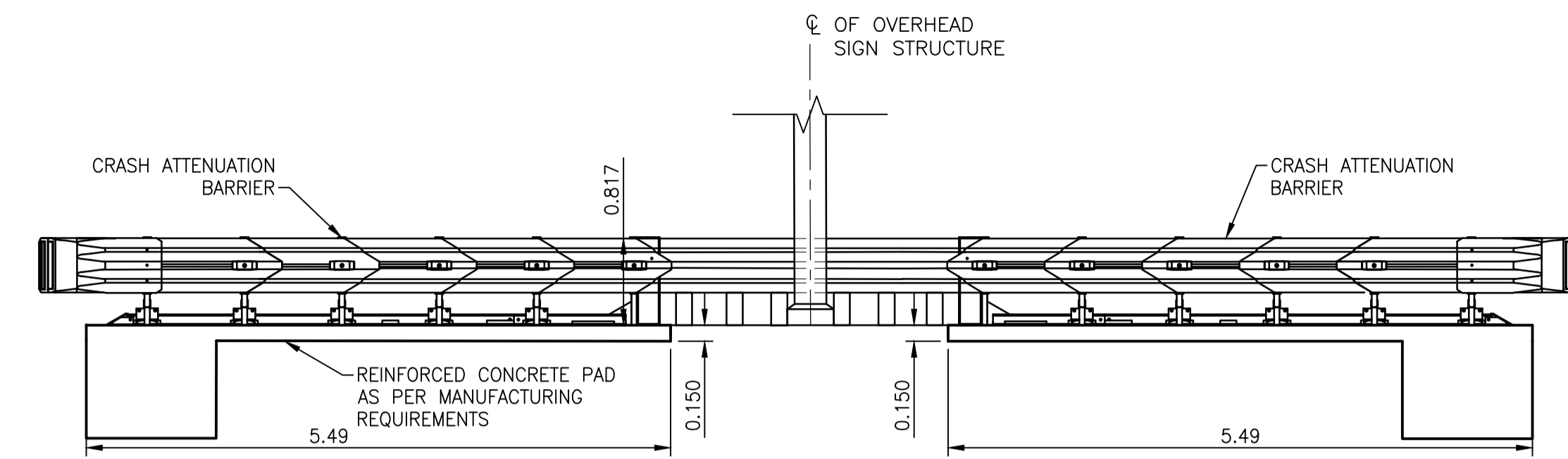
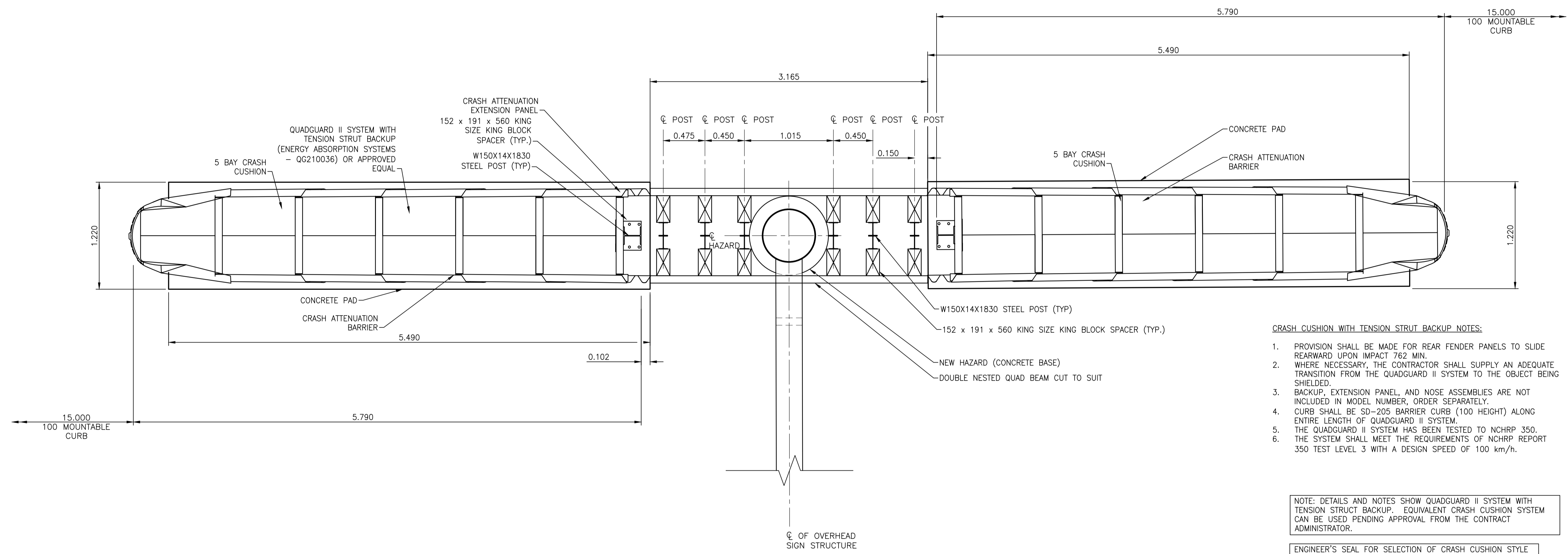


**LAGIMODIERE BOULEVARD SECTION
@ STA 0+634.354**
1:50H 1:25V



CRASH GUARD ELEVATION
1:50



CRASH GUARD LAYOUT
1:25

- CRASH CUSHION WITH TENSION STRUT BACKUP NOTES:**
1. PROVISION SHALL BE MADE FOR REAR FENDER PANELS TO SLIDE REARWARD UPON IMPACT 762 MIN.
 2. WHERE NECESSARY, THE CONTRACTOR SHALL SUPPLY AN ADEQUATE TRANSITION FROM THE QUADGUARD II SYSTEM TO THE OBJECT BEING SHIELDED.
 3. BACKUP, EXTENSION PANEL, AND NOSE ASSEMBLIES ARE NOT INCLUDED IN MODEL NUMBER, ORDER SEPARATELY.
 4. CURB SHALL BE SD-205 BARRIER CURB (100 HEIGHT) ALONG ENTIRE LENGTH OF QUADGUARD II SYSTEM.
 5. THE QUADGUARD II SYSTEM HAS BEEN TESTED TO NCHRP 350.
 6. THE SYSTEM SHALL MEET THE REQUIREMENTS OF NCHRP REPORT 350 TEST LEVEL 3 WITH A DESIGN SPEED OF 100 km/h.

NOTE: DETAILS AND NOTES SHOW QUADGUARD II SYSTEM WITH TENSION STRUT BACKUP. EQUIVALENT CRASH CUSHION SYSTEM CAN BE USED PENDING APPROVAL FROM THE CONTRACT ADMINISTRATOR.

ENGINEER'S SEAL FOR SELECTION OF CRASH CUSHION STYLE ONLY. CONCRETE PAD AND REINFORCING DESIGN, AND CRASH CUSHION DESIGN AND INSTALLATION SHALL BE AS PER MANUFACTURER'S DETAILS.

V:\1137\active\11370720\0300_drawing\0302_sheet_files\02_solid\07270c-501-rxx.dwg 2017/06/16 1:26 PM By: Parodaski, Gordon



LOCATION APPROVED UNDERGROUND STRUCTURES	
SUPV. U/G STRUCTURES COMMITTEE	DATE
NOTE: LOCATION OF UNDERGROUND STRUCTURES AS SHOWN ARE BASED ON THE BEST INFORMATION AVAILABLE BUT NO GUARANTEE IS GIVEN THAT ALL EXISTING UTILITIES ARE SHOWN OR THAT THE GIVEN LOCATIONS ARE EXACT. CONFIRMATION OF EXISTENCE AND EXACT LOCATION OF ALL SERVICES MUST BE OBTAINED FROM THE INDIVIDUAL UTILITIES BEFORE PROCEEDING WITH CONSTRUCTION.	

B.M. ELEV.	NO.	REVISIONS	DATE	BY
	1	ISSUED FOR TENDER	17.06.16	
	0	ISSUED FOR REVIEW	17.06.02	

		DESIGNED BY: S.B.C.		CHECKED BY: D.M.	
		DRAWN BY: G.P.		APPROVED BY:	
HOR. SCALE: AS NOTED		RELEASED FOR CONSTRUCTION:		DATE: 2017.05.01	
VERTICAL:		DATE		DATE	

ENGINEER'S SEAL

CONSULTANT DRAWING NO. C504

		THE CITY OF WINNIPEG PUBLIC WORKS DEPARTMENT ENGINEERING DIVISION	
2017 REGIONAL STREET PROGRAM		SHEET 15 OF 15	
LAGIMODIERE BOULEVARD		CAD FILE DRAWING NUMBER 07270c-501-xxx.dwg	
CRASH ATTENUATION DETAILS AND SECTIONS		CITY DRAWING NUMBER P-3484-15	