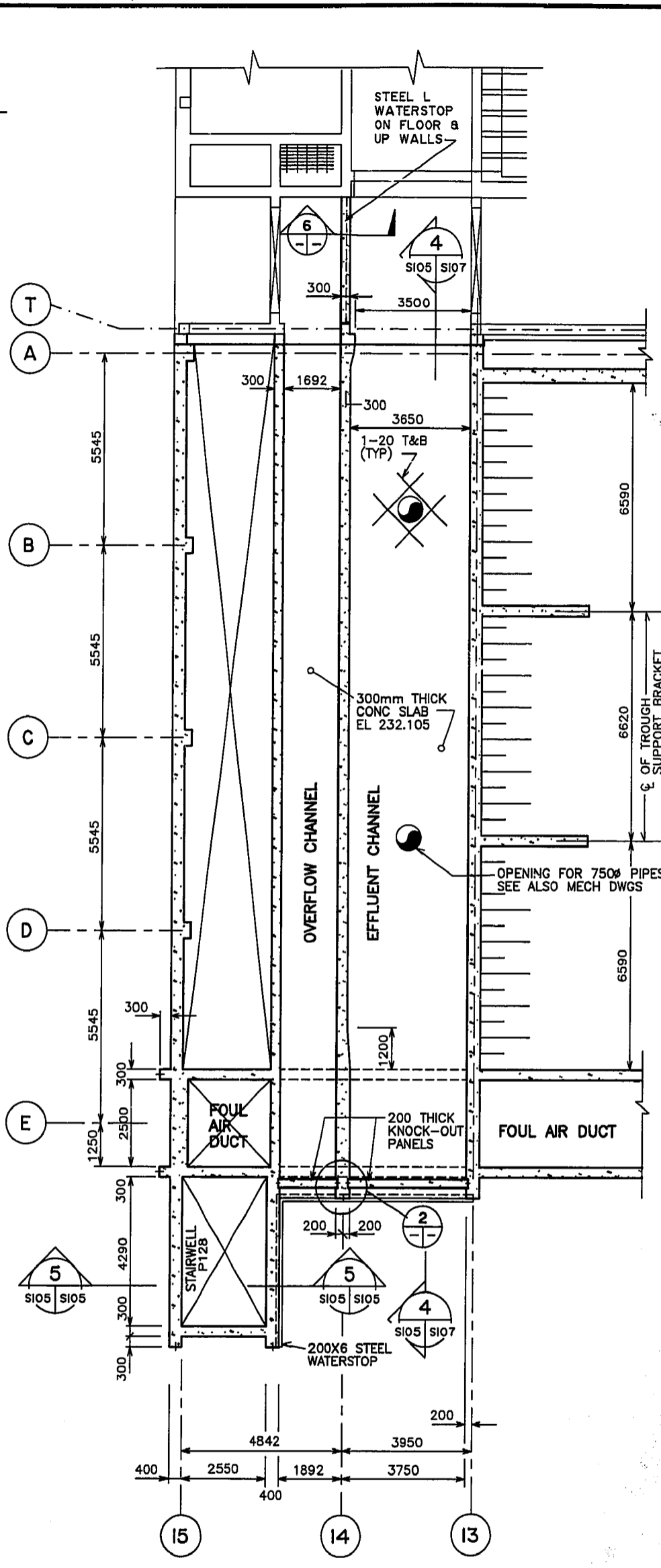
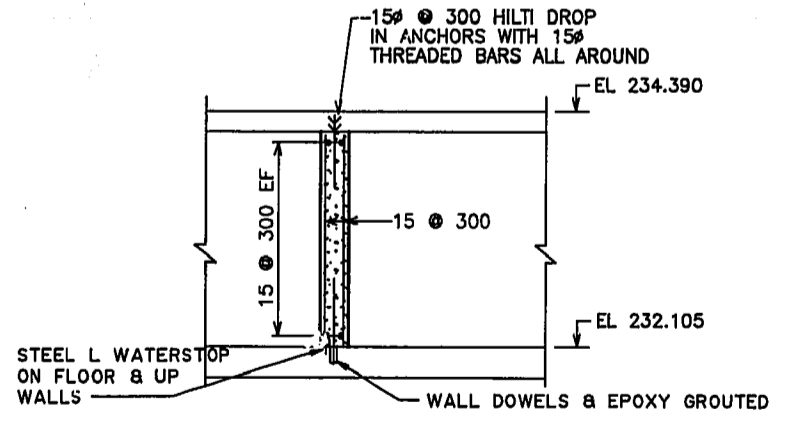
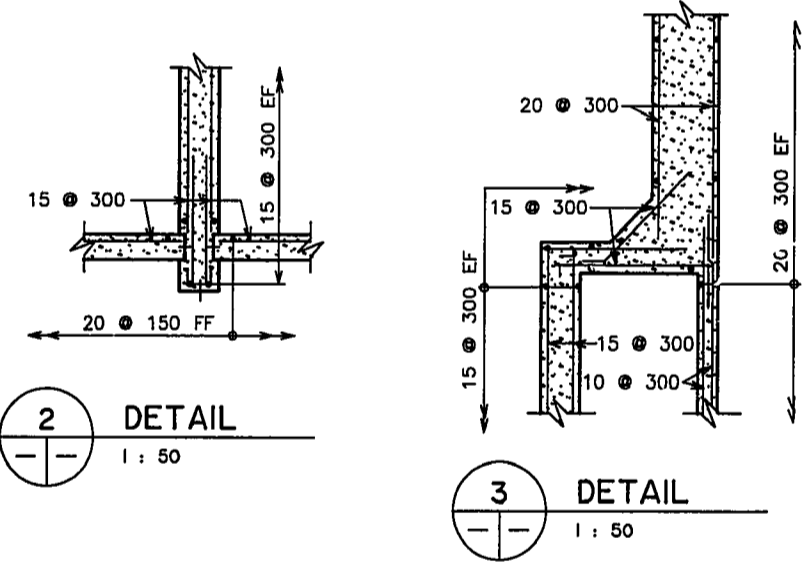
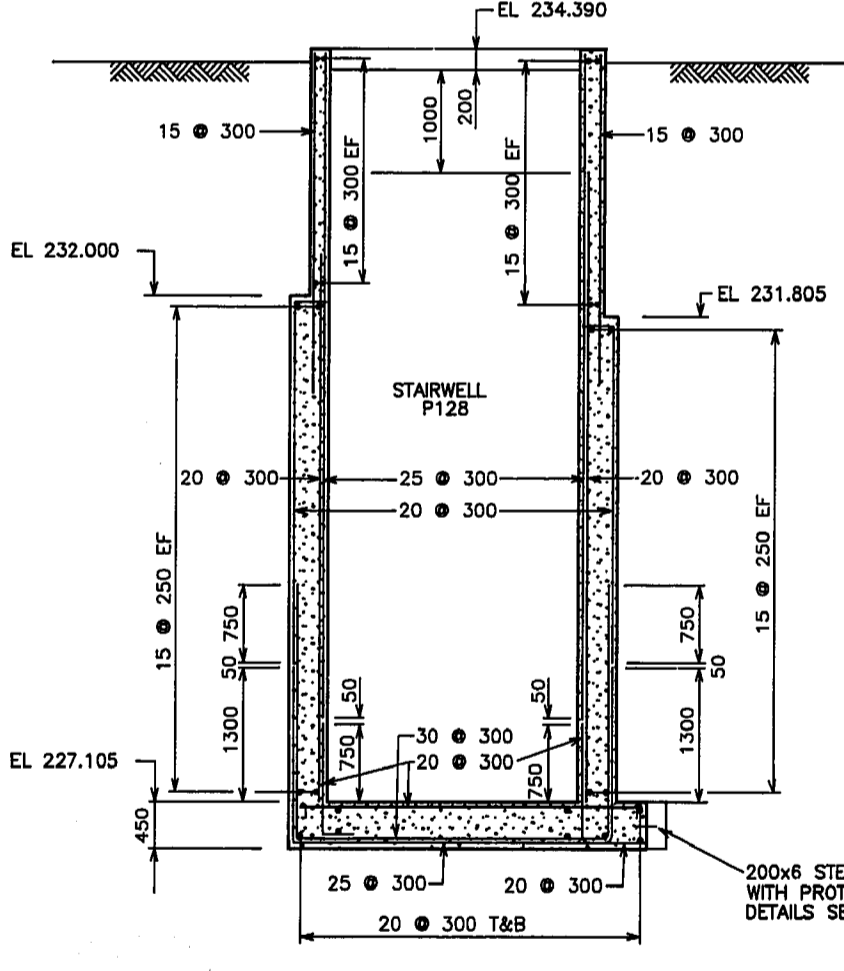
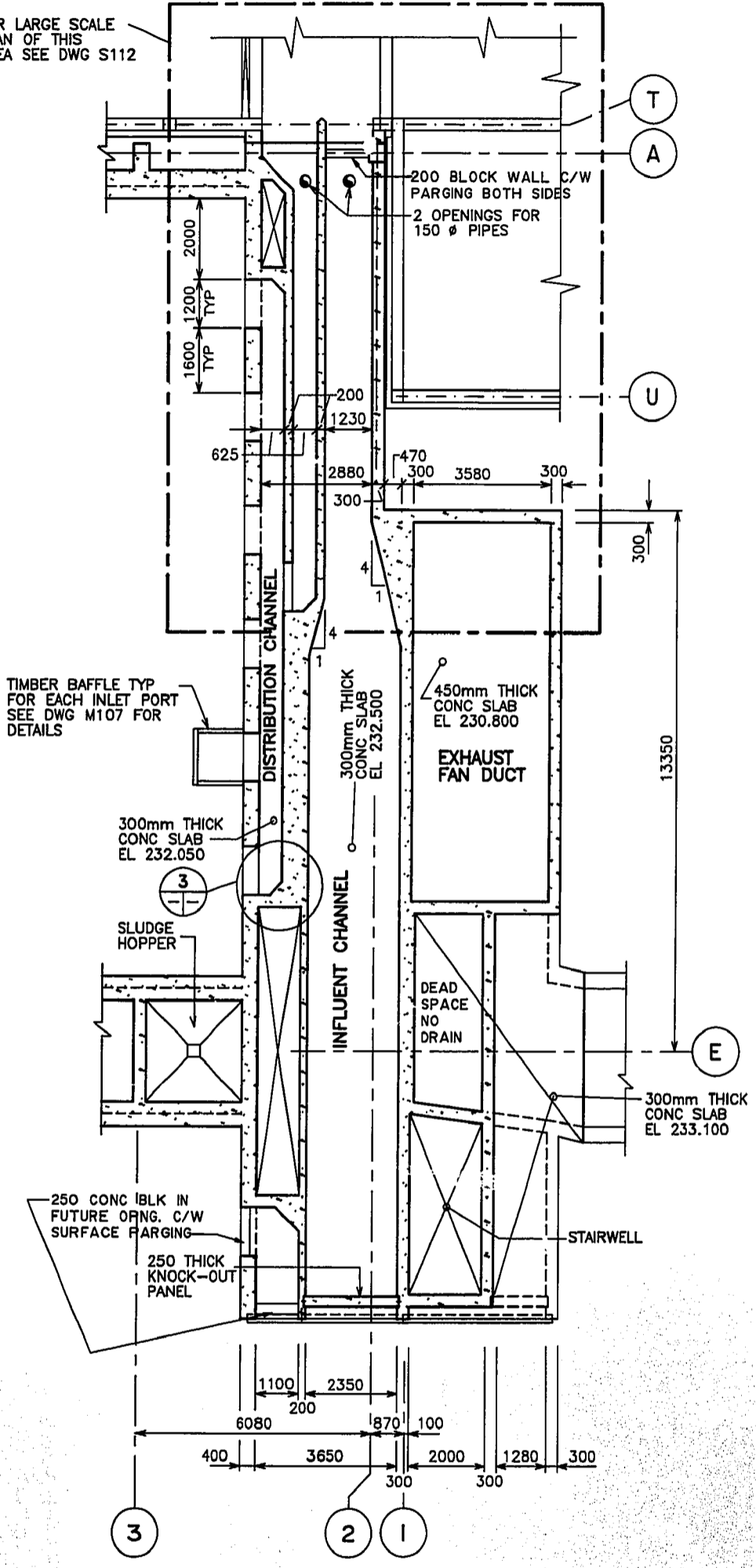


PART PLAN ABOVE EL 228.600  
SCALE 1:100

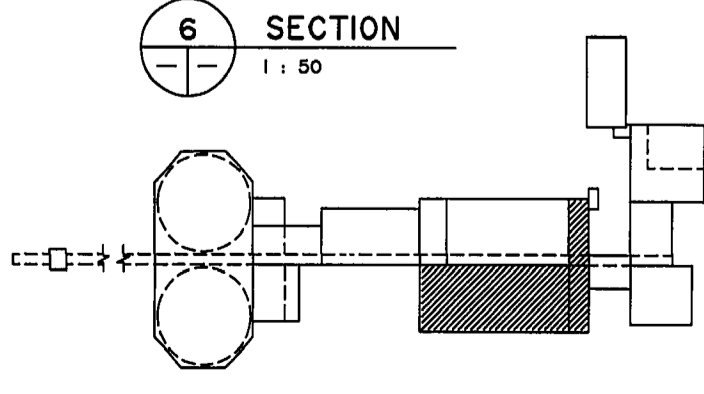


PART PLAN ABOVE EL 232.105  
SCALE 1:100



PART PLAN ABOVE EL 233.100  
SCALE 1:100

**AS CONSTRUCTED**  
DATE OCTOBER /91 BY CJA  
APPROVED BY *Charles Allison*



B.M. ELEV.					
DESIGNED BY	AL	CHECKED BY	AL		
DRAWN BY	RL	APPROVED BY	<i>[Signature]</i>		
HOR. SCALE:	1 : 100 U/N	RELEASED FOR CONSTRUCTION:			
NO. REVISIONS		DATE	AUGUST, 1989		

ORIGINALLY DESIGNED BY  
ENGINEER'S SEAL  
**T. Y. A. LEE**  
CONSULTANT DRAWING NO.  
43525-S105

**THE CITY OF WINNIPEG**  
WORKS AND OPERATIONS DIVISION  
WATERWORKS, WASTE & DISPOSAL DEPARTMENT

SOUTH END WATER POLLUTION CONTROL CENTRE CITY DRAWING NUMBER  
PRIMARY CLARIFIER - STRUCTURAL SHEET OF  
**PART PLANS, SECTIONS AND DETAILS** SEP-244