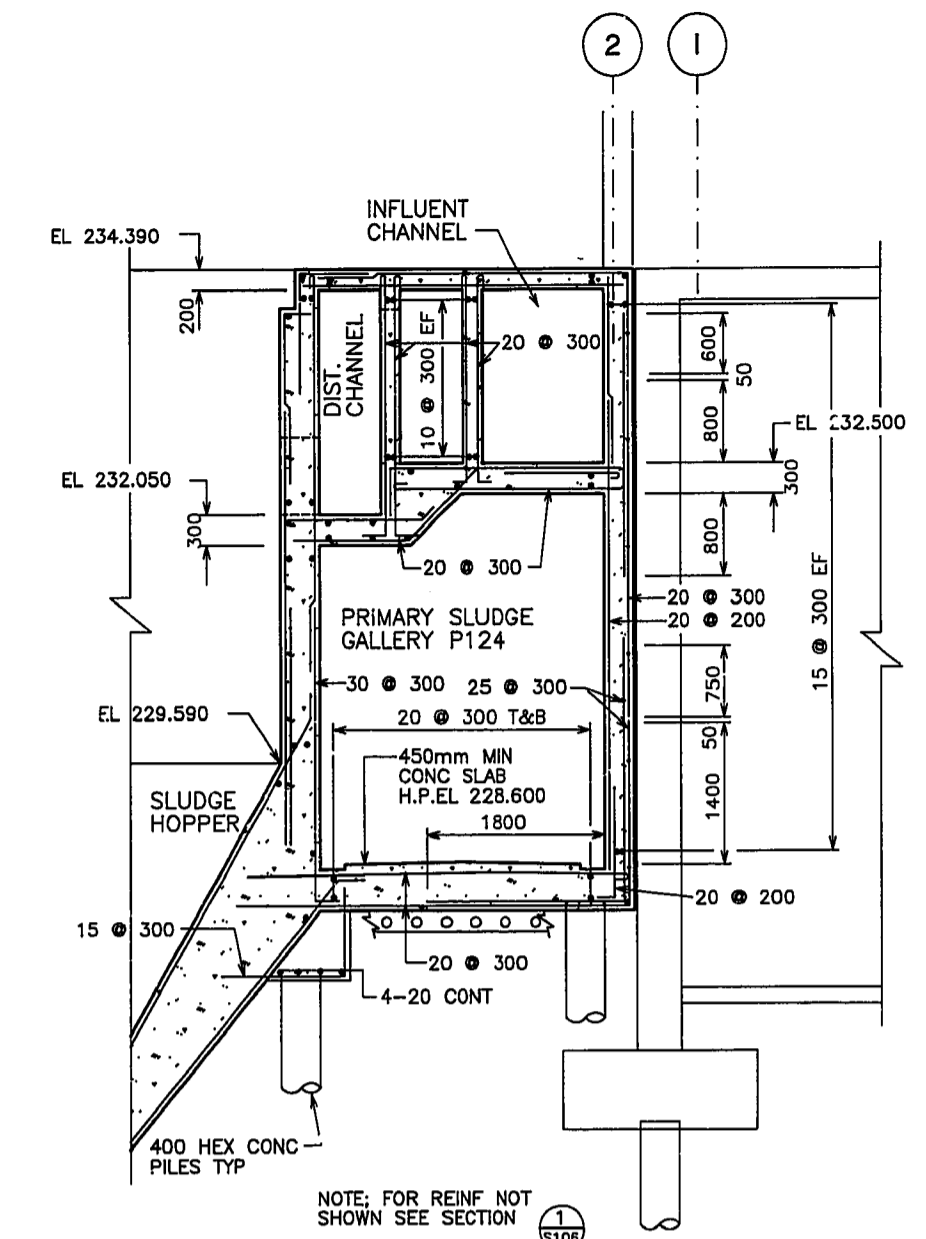
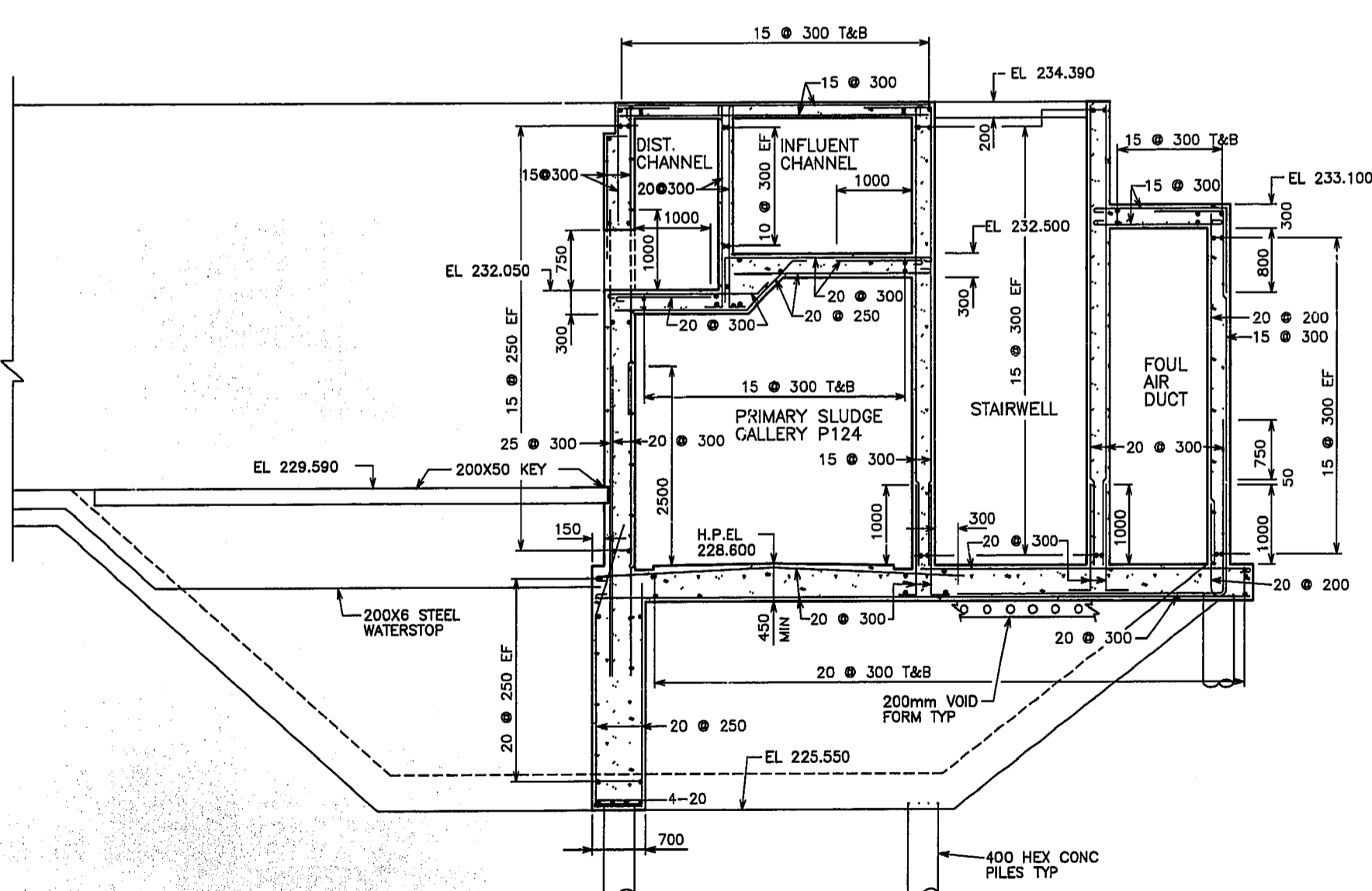


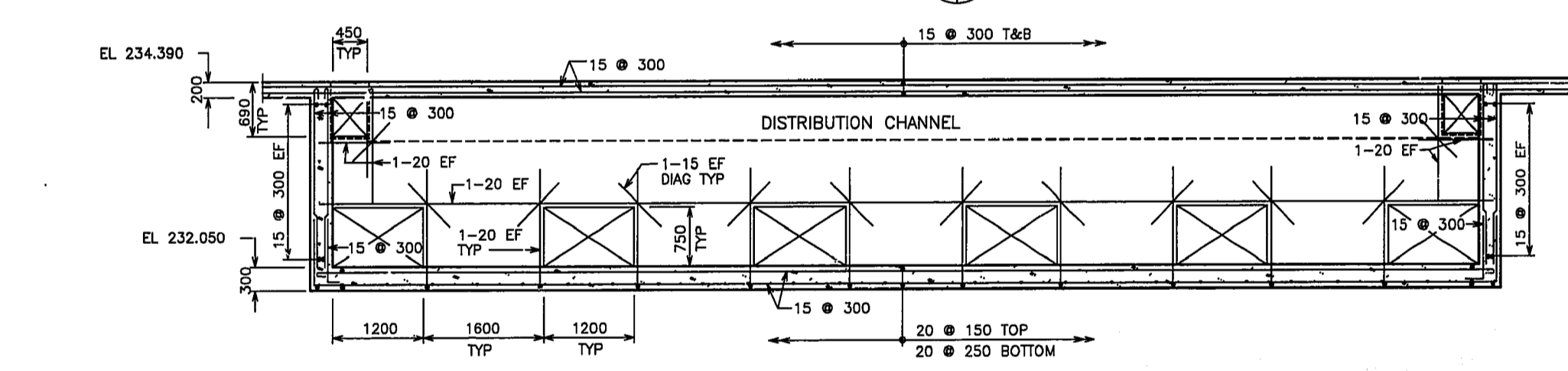
SECTION 1
S102 S108 1 : 50



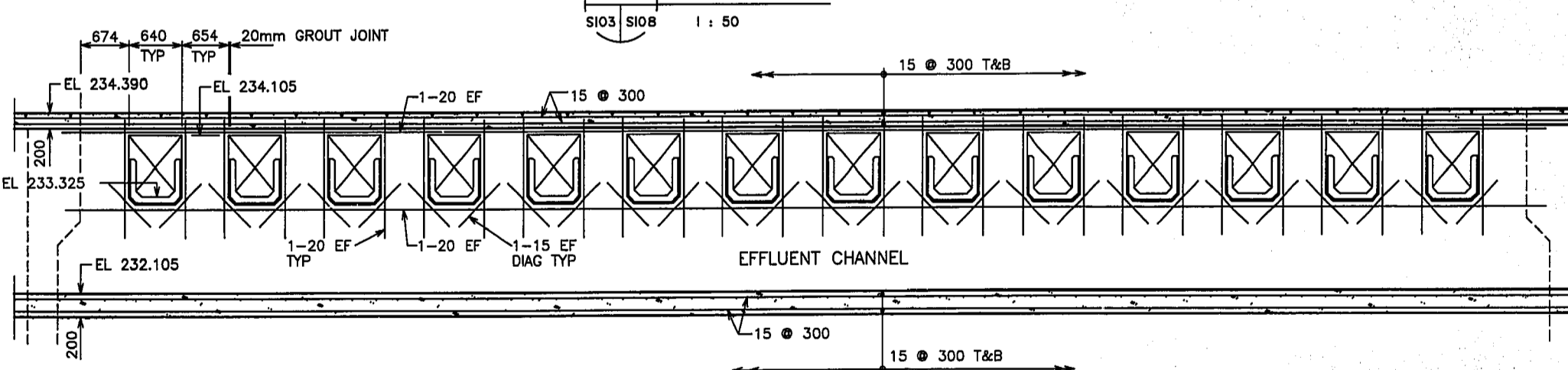
SECTION 2
S102 S108 1 : 50



SECTION 3
S102 S108 1 : 50



SECTION 4
S103 S108 1 : 50



SECTION 5
S103 S108 1 : 50

AS CONSTRUCTED
DATE OCTOBER /9 BY CJA
APPROVED BY *Charles Allison*

B.M. ELEV.			
1 AS CONSTRUCTED	10/91	CJA	
0 ISSUED FOR TENDER	08/89	EH	
NO. REVISIONS			

MacLAREN ENGINEERS INC. WARDROP ENGINEERING INC. ENGINEERING CONSULTANTS	
DESIGNED BY AL	CHECKED BY AL
DRAWN BY RL	APPROVED BY <i>Charles Allison</i>
HOR. SCALE: 1 : 50	
VERTICAL: 1 : 50	
RELEASED FOR CONSTRUCTION: DATE AUGUST, 1989	

ORIGINALLY DESIGNED BY
ENGINEER'S SEAL
T. Y. A. LEE
CONSULTANT DRAWING NO. 43525-S108

THE CITY OF WINNIPEG
WORKS AND OPERATIONS DIVISION
WATERWORKS, WASTE & DISPOSAL DEPARTMENT

SOUTH END WATER POLLUTION CONTROL CENTRE
PRIMARY CLARIFIER - STRUCTURAL

SECTIONS - SHEET 3

CITY DRAWING NUMBER
SHEET OF
SEP-247