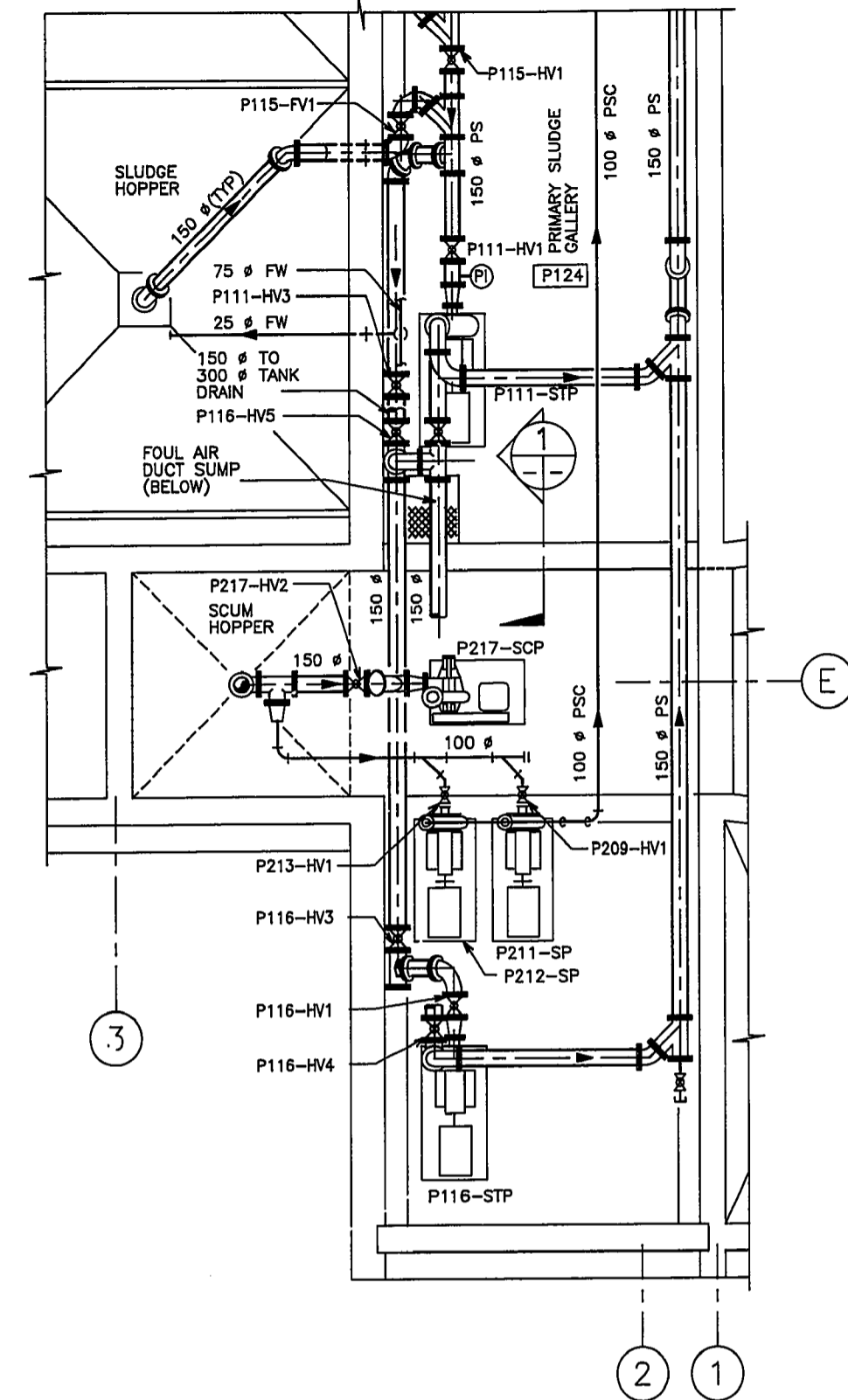
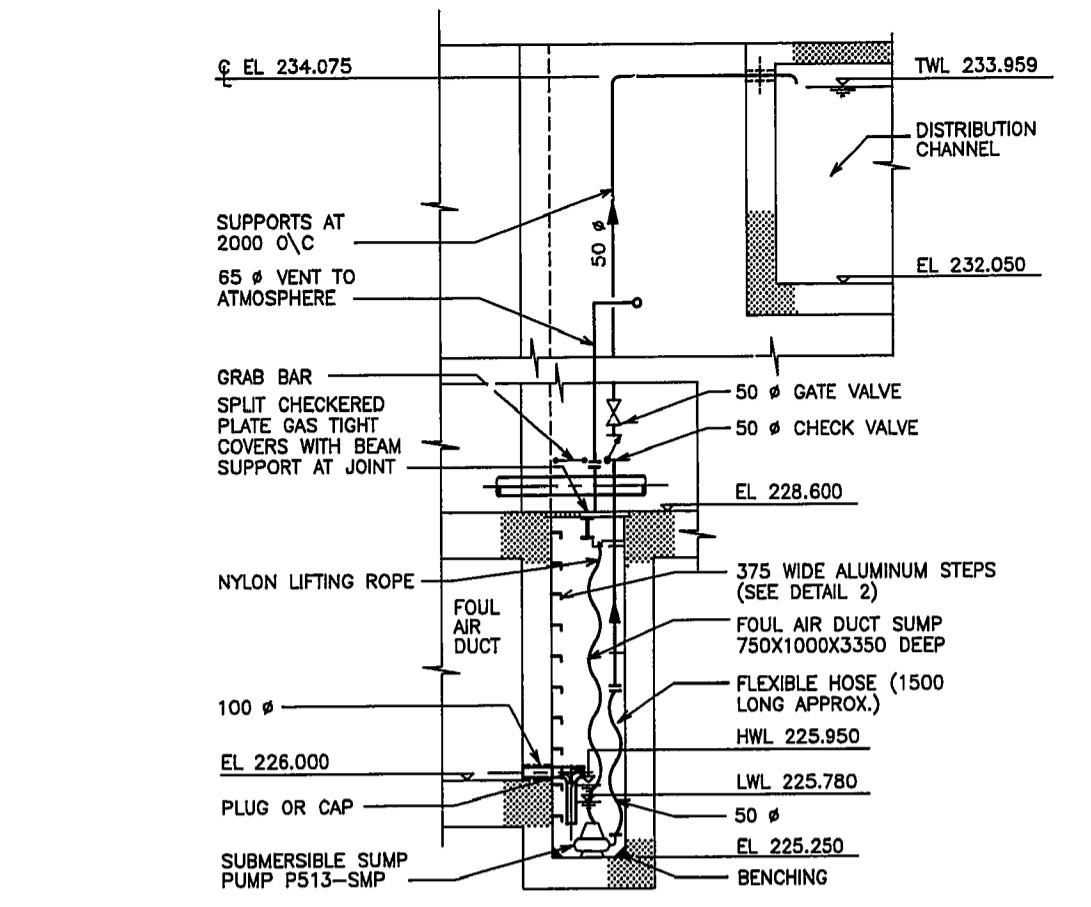


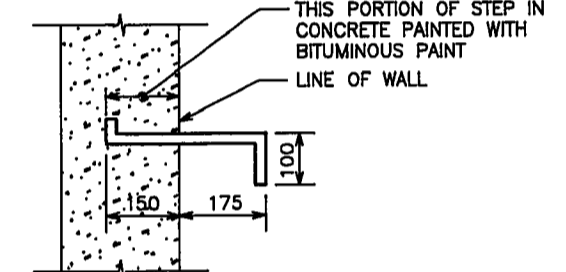
3 PART PLAN ABOVE EL 229.665m  
SCALE 1:50



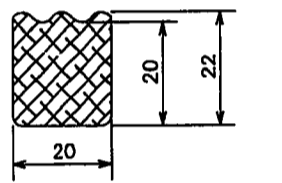
2 PART PLAN ABOVE EL 229.665m  
SCALE N.T.S.



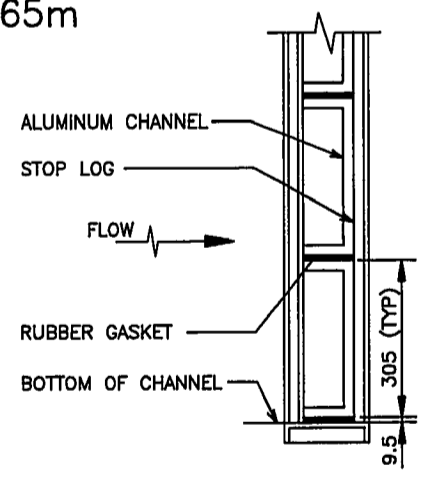
1 SECTION  
1:50



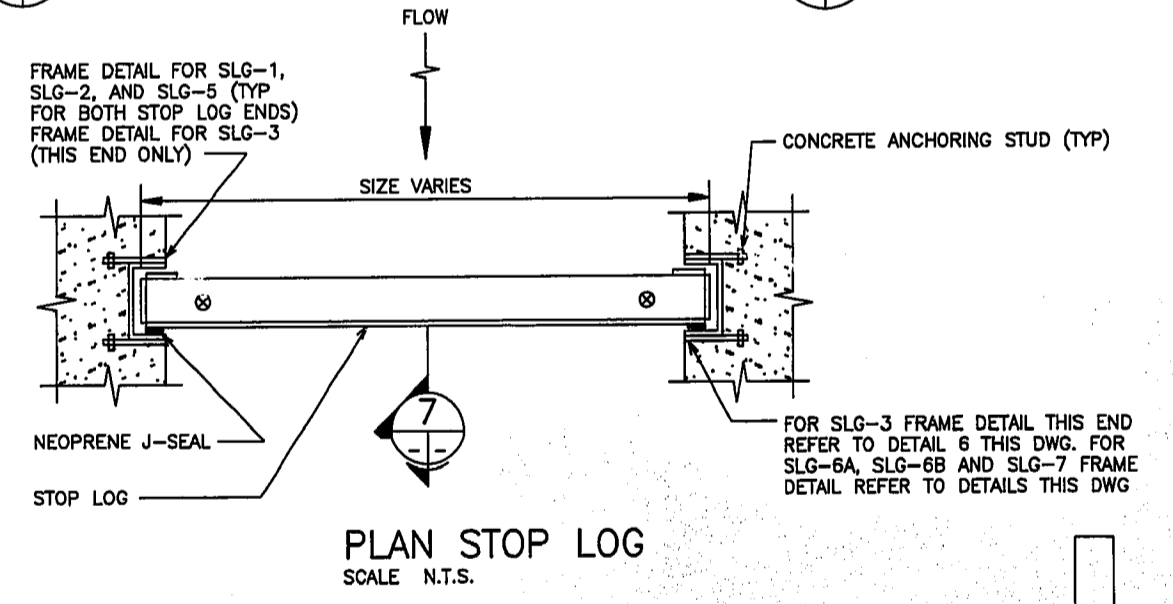
2 DETAIL  
1:10



3 STEP SECTION  
1:1



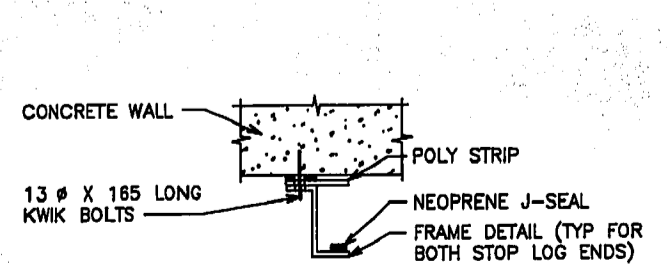
7 SECTION  
N.T.S.



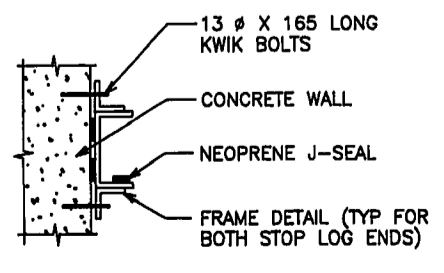
PLAN STOP LOG  
SCALE N.T.S.

NOTE:  
SEE DWG M107 FOR LEGEND

6 FRAME DETAIL SLG-3  
N.T.S.



4 FRAME DETAIL SLG-7  
N.T.S.



5 FRAME DETAIL SLG-6A, SLG-6B  
N.T.S.

**AS CONSTRUCTED**  
DATE OCTOBER / 91 BY S.Q.  
APPROVED BY *Sean Dugley*

B.M. ELEV.	MaCLAREN ENGINEERS INC. WARDROP ENGINEERING INC.	
	ENGINEERING CONSULTANTS	
	DESIGNED BY RDJ/CS/HS	CHECKED BY RDJ
	DRAWN BY TL / CAD	APPROVED BY <i>[Signature]</i>
1 AS CONSTRUCTED	10/91	S.Q.
0 ISSUED FOR TENDER	08/89	E.H.
NO. REVISIONS	DATE	BY

ORIGINALLY DESIGNED BY  
**R. JUANEZA**  
PROVINCE OF ONTARIO  
CONSULTANT DRAWING NO. 43525 - M103

**THE CITY OF WINNIPEG**  
WORKS AND OPERATIONS DIVISION  
WATERWORKS, WASTE & DISPOSAL DEPARTMENT

SOUTH END WATER POLLUTION CONTROL CENTRE  
PRIMARY CLARIFIER - MECHANICAL

CITY DRAWING NUMBER  
SHEET OF  
**SEP-257**