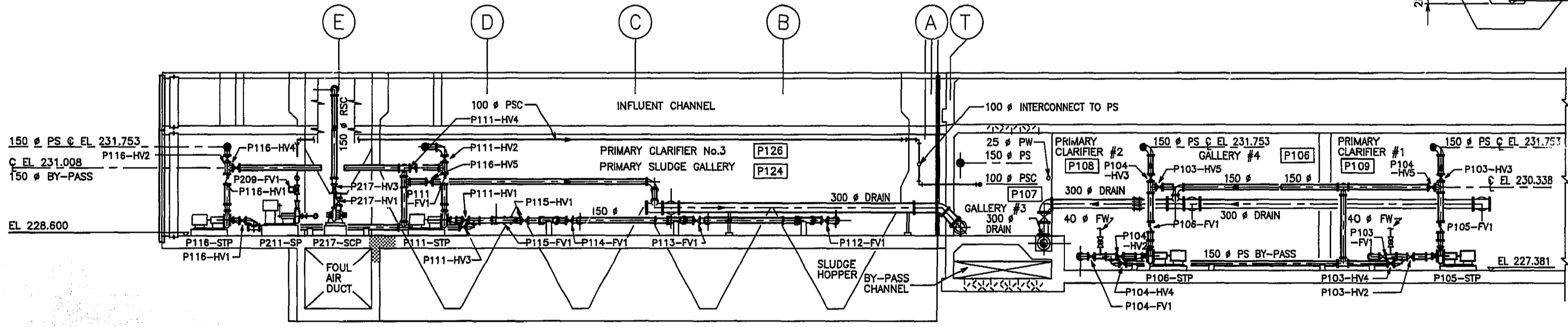
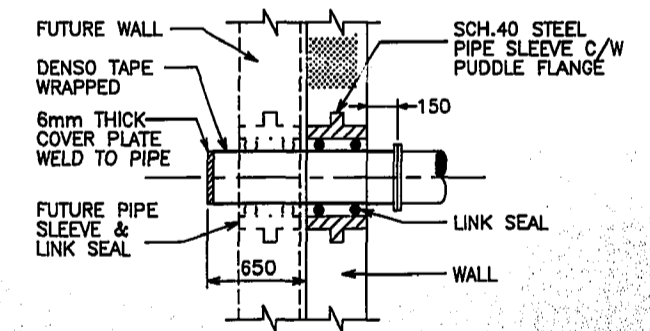


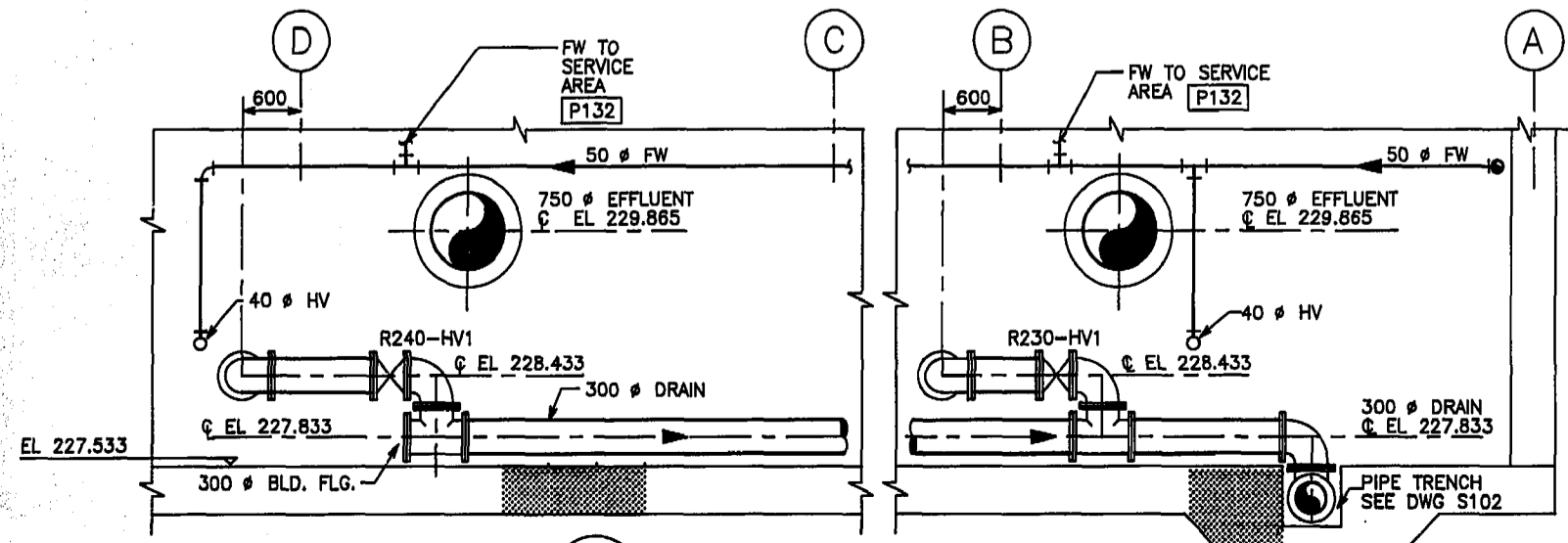
1 SECTION
M101 104 1:50



2 SECTION
M101 104 1:100



1 DETAIL
NTS



11 SECTION
M101 104 1:50

AS CONSTRUCTED
DATE OCTOBER/91 BY S.Q.
APPROVED BY *Suan Quigley*

NOTE:
SEE DWG M107 FOR LEGEND

B.M. ELEV. _____ _____ _____		MacLAREN ENGINEERS INC. WARDROP ENGINEERING INC. ENGINEERING CONSULTANTS		ORIGINALLY DESIGNED BY R. JUANEZA <small>LICENSED PROFESSIONAL ENGINEER</small> <small>14 Aug 89</small> <small>PROVINCE OF ONTARIO</small>		THE CITY OF WINNIPEG WORKS AND OPERATIONS DIVISION WATERWORKS, WASTE & DISPOSAL DEPARTMENT	
DESIGNED BY	RDJ/CS/HS	CHECKED BY	RDJ	SOUTH END WATER POLLUTION CONTROL CENTRE		CITY DRAWING NUMBER	
DRAWN BY	TL / CAD	APPROVED BY	<i>Suan Quigley</i>	PRIMARY CLARIFIER— MECHANICAL		SHEET OF	
HOR. SCALE:	AS SHOWN	RELEASED FOR CONSTRUCTION:		CONSULTANT DRAWING NO.		SECTIONS	
1 AS CONSTRUCTED	10/91 S.Q.	DATE		43525 - M104		SEP-258	
0 ISSUED FOR TENDER	08/89 E.H.	DATE					
NO. REVISIONS	DATE BY	DATE					