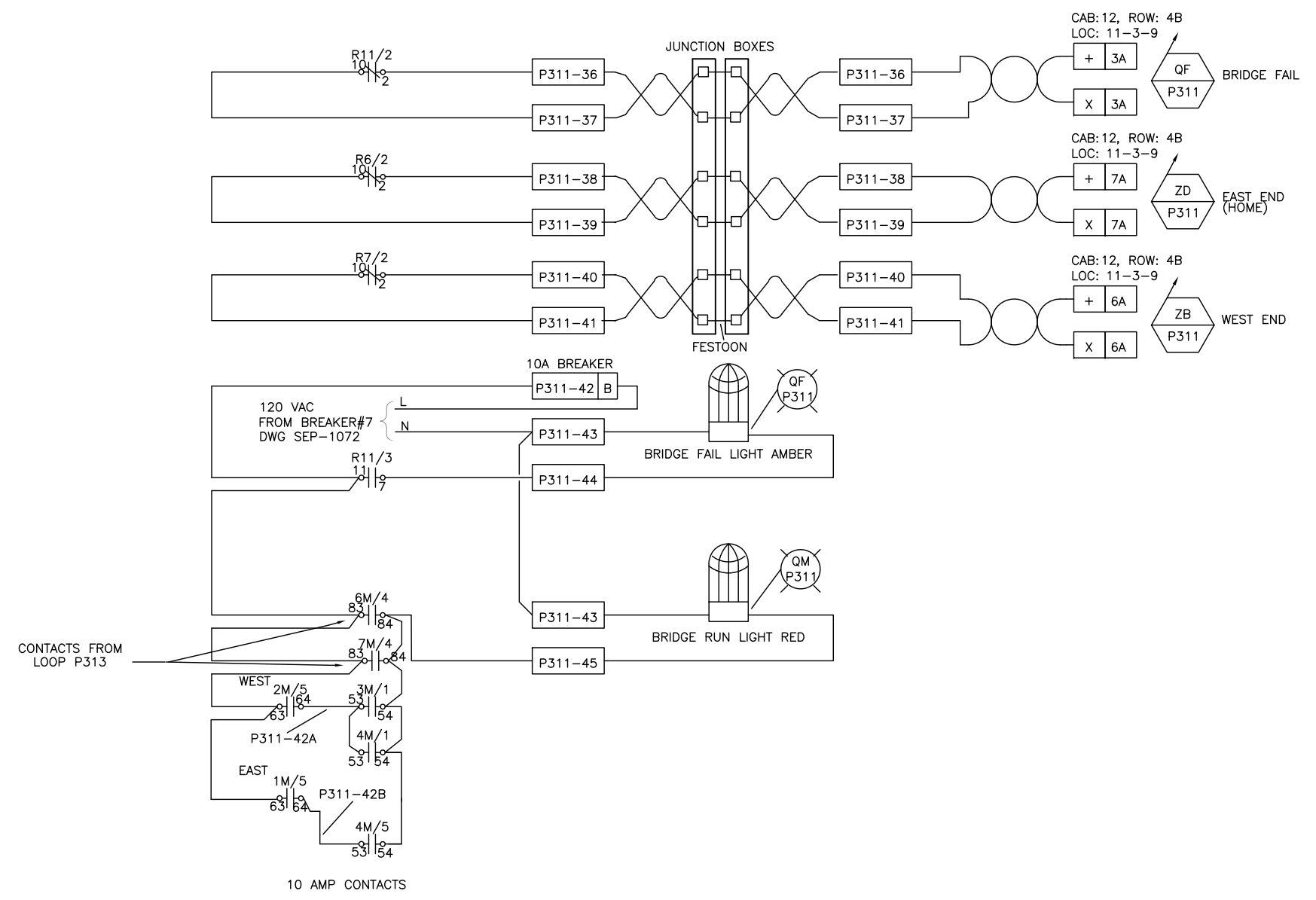


BRIDGE CONTROL PANEL | FIELD | FDP | FIELD | DCS  
PCU7-SC



SOURCE: MANCO CONTROL SYSTEMS INC. DRAWING NUMBER M1168-20

<p>B.M. ELEV.</p>		<p>ENGINEER'S SEAL</p>	<p><b>THE CITY OF WINNIPEG</b> WORKS AND OPERATIONS DIVISION WATERWORKS WASTE AND DISPOSAL DEPARTMENT</p>																			
	<table border="1" style="width: 100%; border-collapse: collapse;"> <tr> <td style="width: 50%;">DESIGNED BY</td> <td style="width: 50%;">CHECKED BY</td> </tr> <tr> <td>DRAWN BY</td> <td>APPROVED BY</td> </tr> <tr> <td>HOR. SCALE</td> <td>RELEASED FOR CONSTRUCTION</td> </tr> <tr> <td>VERTICAL</td> <td>DATE</td> </tr> </table>	DESIGNED BY	CHECKED BY	DRAWN BY	APPROVED BY	HOR. SCALE	RELEASED FOR CONSTRUCTION	VERTICAL	DATE	<p>PLOT DATE:</p>	<p>SOUTH END WATER POLLUTION CONTROL CENTRE PRIMARY CLARIFIER EXPANSION, CONTRACT 2 - P.D. 89-205</p> <p style="text-align: center;">BRIDGE CONTROL PANEL #3 DRIVE CIRCUIT LOOP P311</p>											
DESIGNED BY	CHECKED BY																					
DRAWN BY	APPROVED BY																					
HOR. SCALE	RELEASED FOR CONSTRUCTION																					
VERTICAL	DATE																					
	<table border="1" style="width: 100%; border-collapse: collapse;"> <thead> <tr> <th>NO.</th> <th>REVISIONS</th> <th>DATE</th> <th>BY</th> <th>DATE</th> </tr> </thead> <tbody> <tr> <td>3</td> <td>MISC. LABEL CHANGES</td> <td>FEB/11</td> <td>SPH</td> <td></td> </tr> <tr> <td>2</td> <td>DCS ADDED</td> <td>04/94</td> <td>RH</td> <td></td> </tr> <tr> <td>1</td> <td>REDRAWN IN AUTOCAD</td> <td>JAN/93</td> <td>LO</td> <td></td> </tr> </tbody> </table>	NO.	REVISIONS	DATE	BY	DATE	3	MISC. LABEL CHANGES	FEB/11	SPH		2	DCS ADDED	04/94	RH		1	REDRAWN IN AUTOCAD	JAN/93	LO		<p>SHEET 4 OF 4</p> <p>CITY DRAWING NUMBER</p> <p>SEP-1078</p>
NO.	REVISIONS	DATE	BY	DATE																		
3	MISC. LABEL CHANGES	FEB/11	SPH																			
2	DCS ADDED	04/94	RH																			
1	REDRAWN IN AUTOCAD	JAN/93	LO																			