

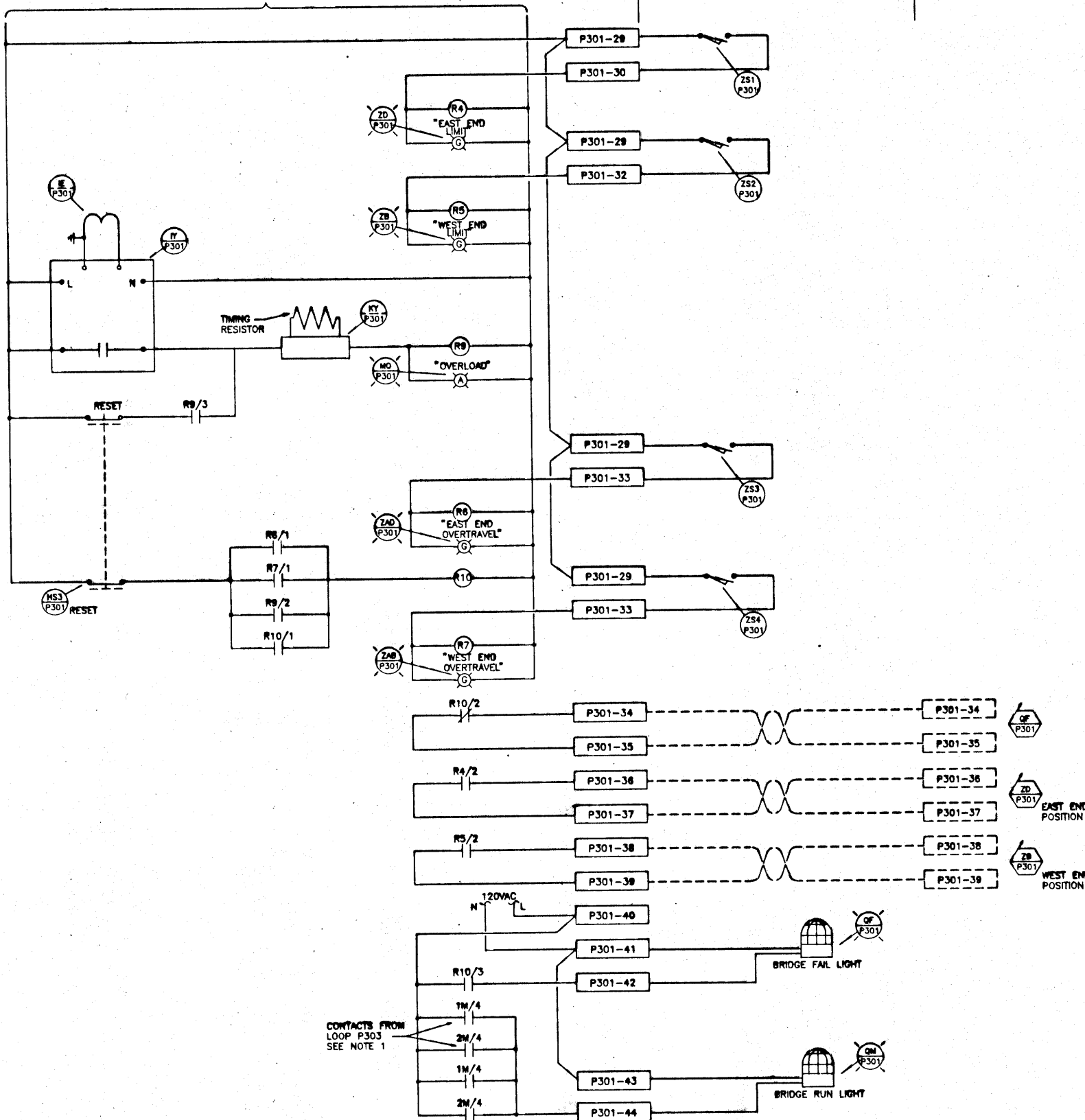
BRIDGE CONTROL PANEL

FIELD

DCS

CONTINUED FROM DWG. E128

LOOP P301-BDM
REPEAT FOR LOOP P302



- 32
- 33
- 34 R4. EAST END LIMIT RELAY
- 35
- 36
- 37 R5. WEST END LIMIT RELAY
- 38 R6. EAST END OVERTRAVEL RELAY
- 39 R7. WEST END OVERTRAVEL RELAY
- 40 RY. IN-LINE TIMING MODULE
- 41 RO. CURRENT OVERLOAD RELAY
- 42
- 43
- 44
- 45
- 46 R6. EAST END OVERTRAVEL RELAY
- 47
- 48 R10. BRIDGE FAIL RELAY
- 49
- 50 R7. WEST END OVERTRAVEL RELAY
- 51
- 52
- 53
- 54
- 55 EAST END POSITION
- 56
- 57 WEST END POSITION
- 58
- 59
- 60
- 61
- 62
- 63
- 64

NOTE
1. REFER TO DRAWING E128 FOR LOOP P303 CONTROL

S.M. ELEV.	MACLAREN ENGINEERS INC. WARDROP ENGINEERING INC. ENGINEERING CONSULTANTS	
DESIGNED BY	K.J.	CHECKED BY
DRAWN BY	N.C.	APPROVED BY
ISSUED FOR TENDER	08/89	K.J.
ISSUED FOR APPROVAL	06/89	K.J.
NO. REVISIONS	DATE	BY
	MARCH 1989	



THE CITY OF WINNIPEG
WORKS AND OPERATIONS DIVISION
WATERWORKS, WASTE & DISPOSAL DEPARTMENT

SOUTH END WATER POLLUTION CONTROL CENTRE
PRIMARY CLARIFIER EXPANSION - ELECTRICAL

PRIMARY CLARIFIER 1
BRIDGE DRIVE CONTROL
LOOP DIAGRAM

CITY DRAWING NUMBER
SHEET OF
SEP-301

CONSULTANT DRAWING NO.
870012-01-16-E127