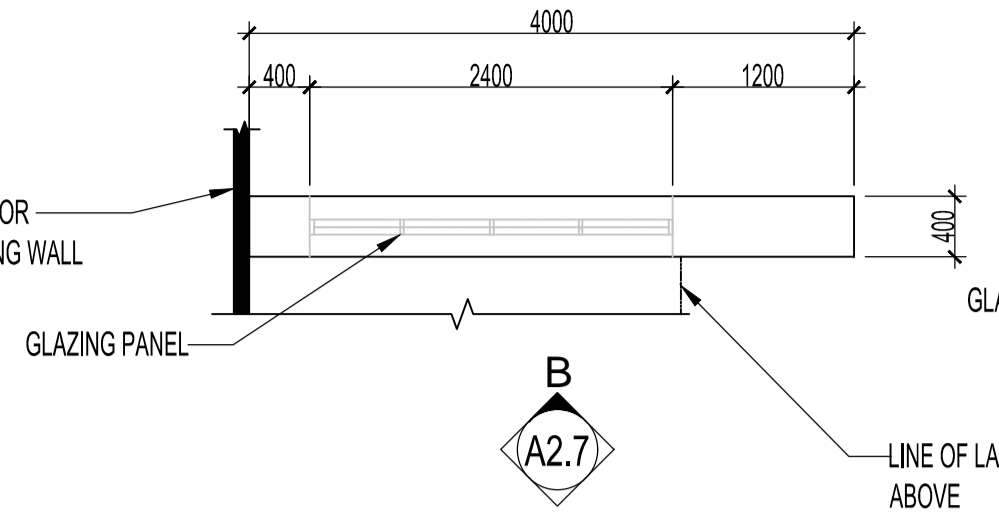
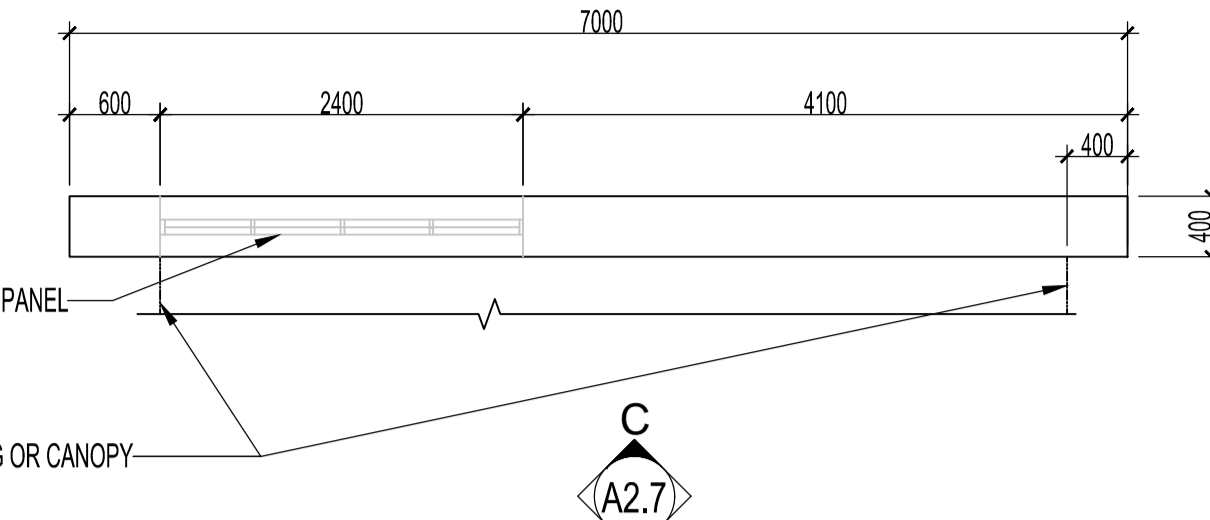


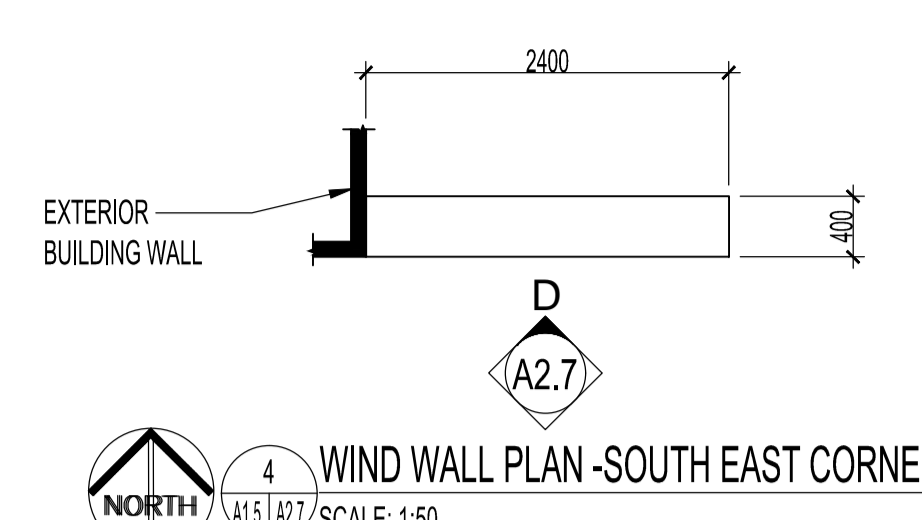
1 WIND WALL PLAN - NORTH WEST CORNER  
A1.5 / A2.7 SCALE: 1:50



2 WIND WALL PLAN - NORTH EAST CENTRAL  
A1.5 / A2.7 SCALE: 1:50

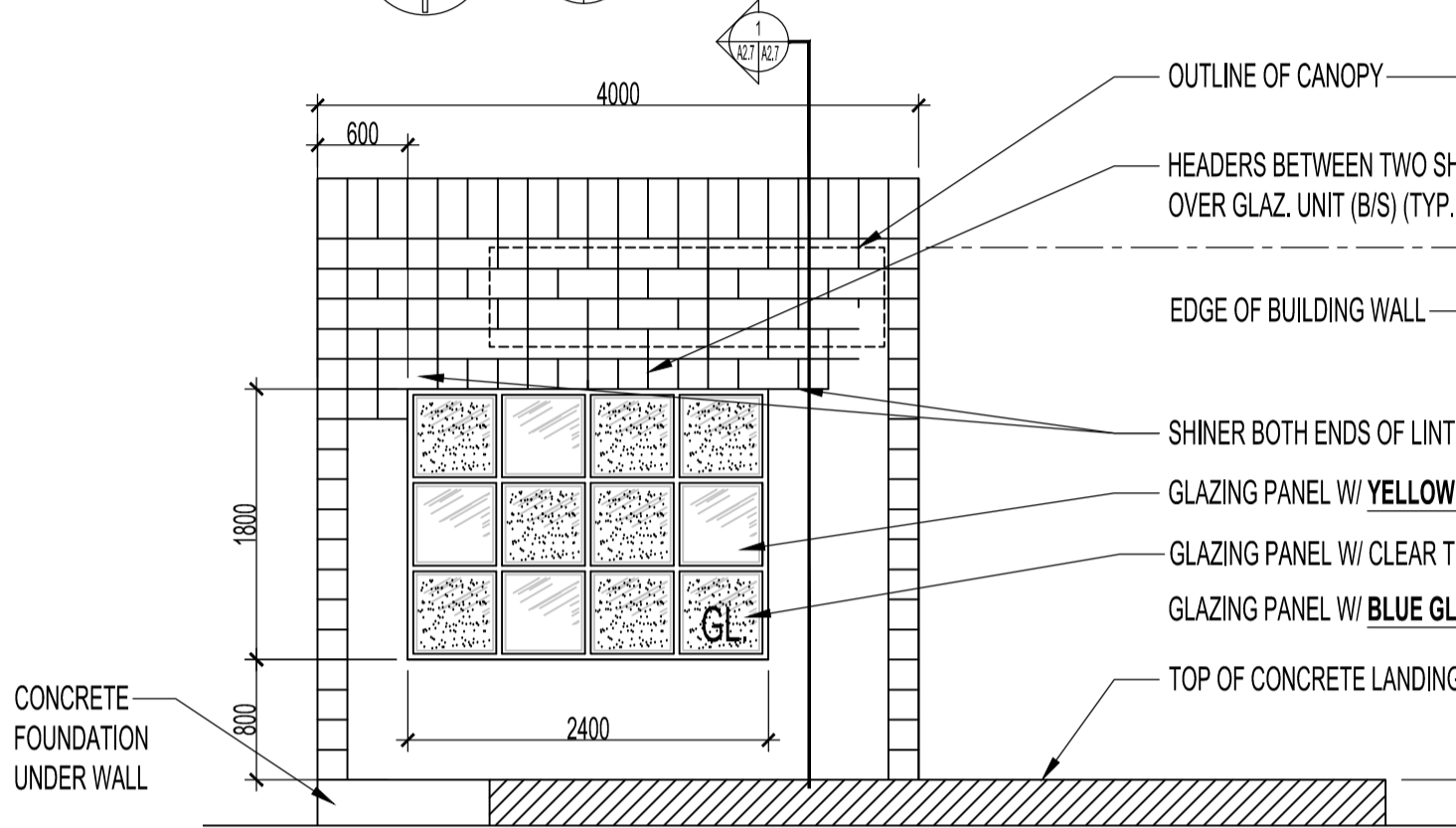


3 WIND WALL PLAN - NORTH CENTRAL  
A1.5 / A2.7 SCALE: 1:50

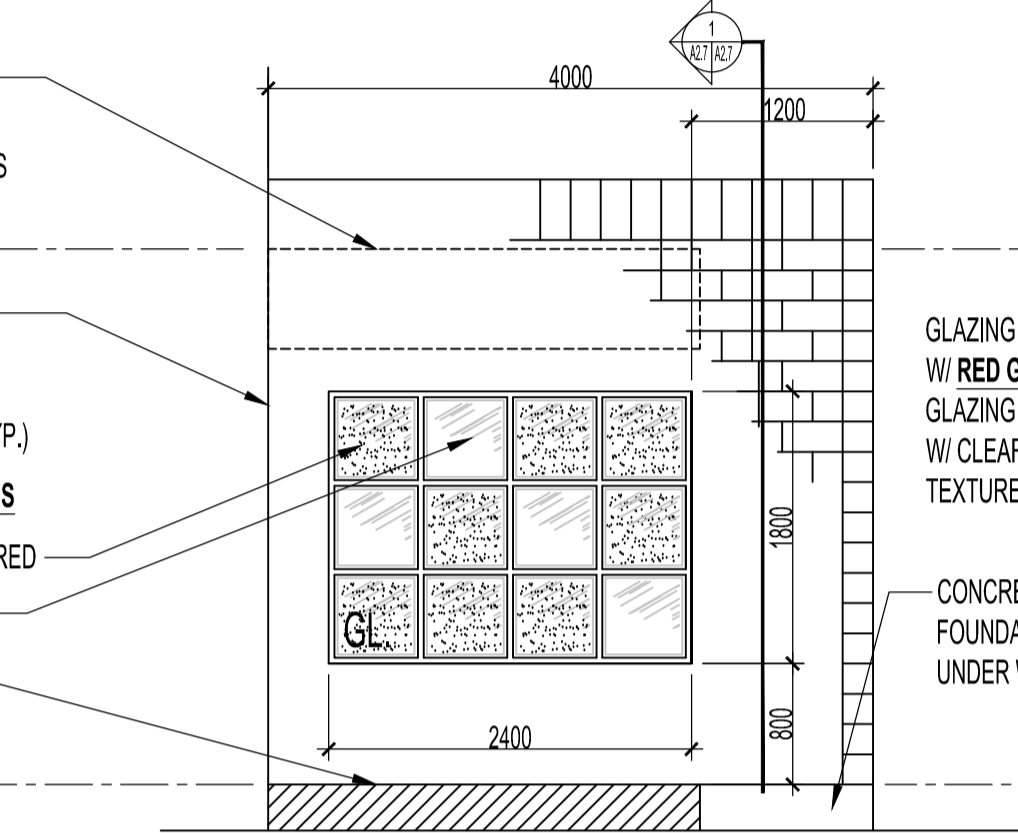


4 WIND WALL PLAN - SOUTH EAST CORNER  
A1.5 / A2.7 SCALE: 1:50

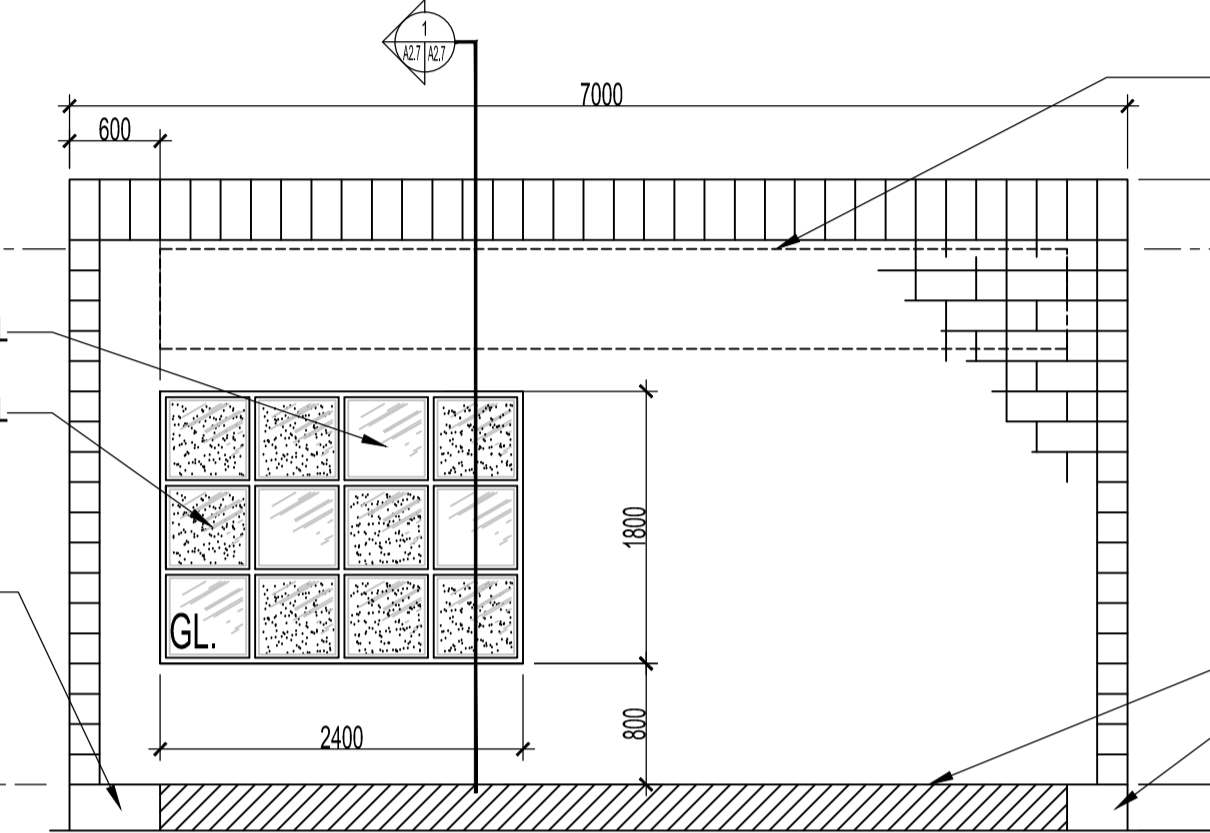
TYPICAL BLOCK LAYOUT PATTERN FOR ALL ELEVATIONS (EXCEPT GLAZING UNITS-SEE NORTHWEST CORNER ELEVATION)



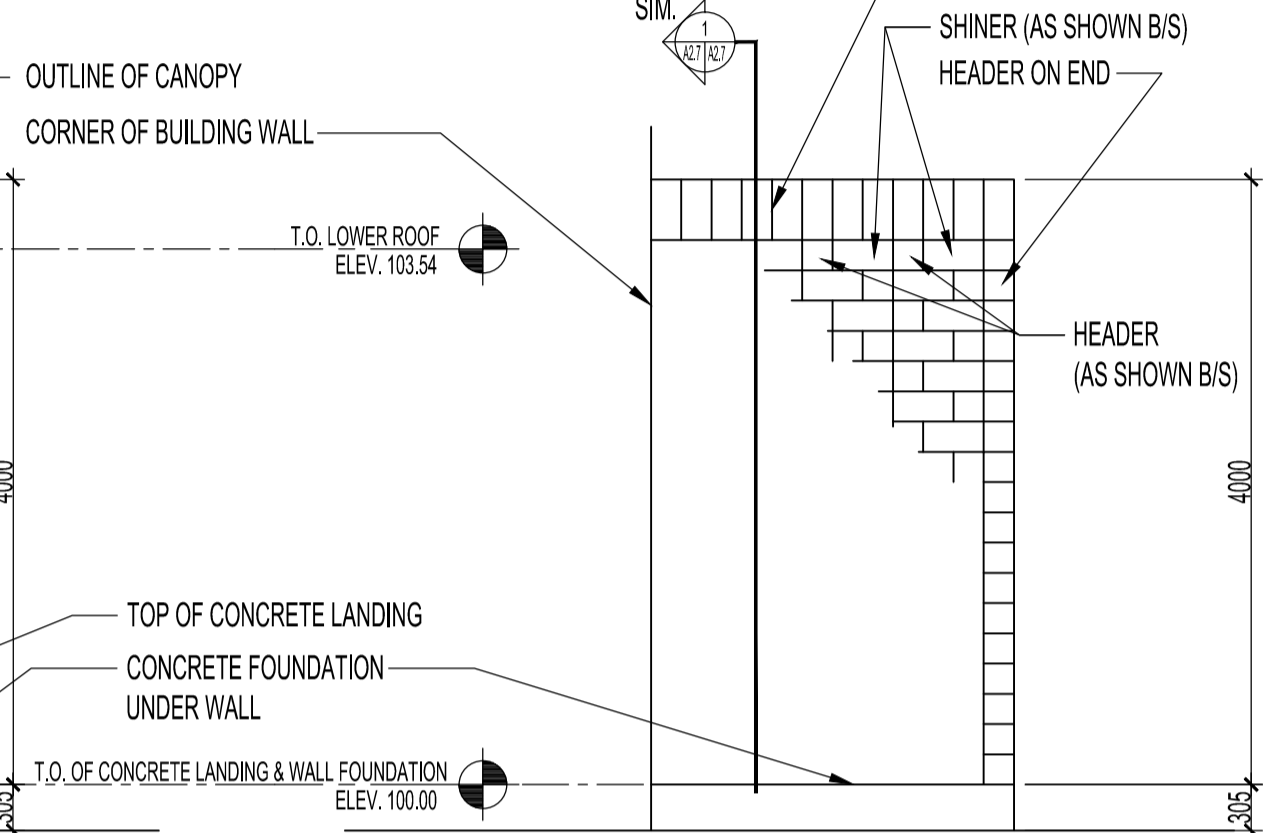
A WIND WALL ELEVATION - NORTH WEST CORNER  
A2.7 SCALE: 1:50



B WIND WALL ELEVATION - NORTH EAST CENTRAL  
A2.7 SCALE: 1:50

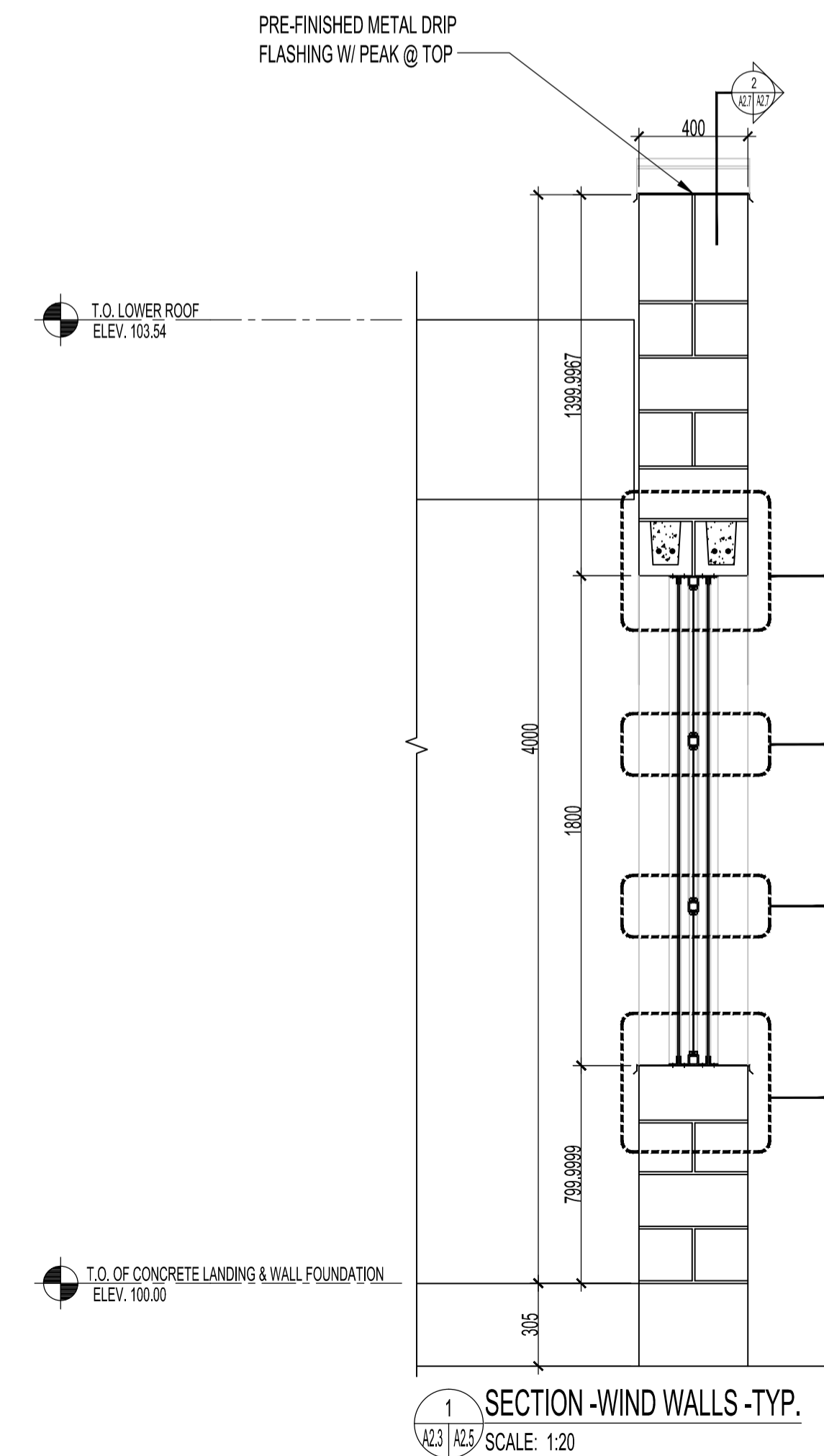


C WIND WALL ELEVATION - NORTH CENTRAL  
A2.7 SCALE: 1:50

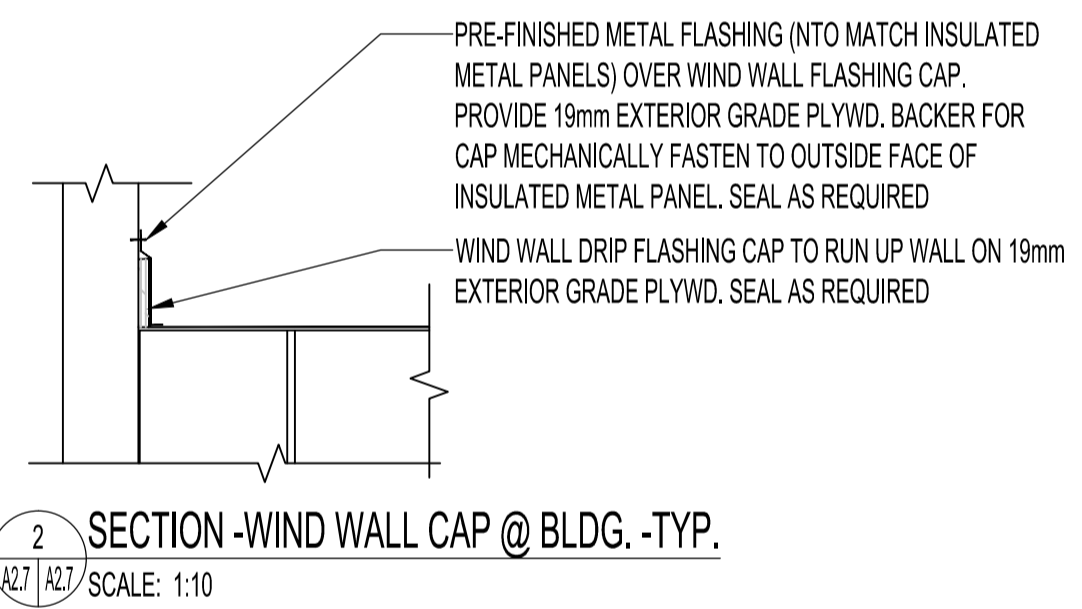


D WIND WALL ELEVATION - SOUTH EAST CORNER  
A2.7 SCALE: 1:50

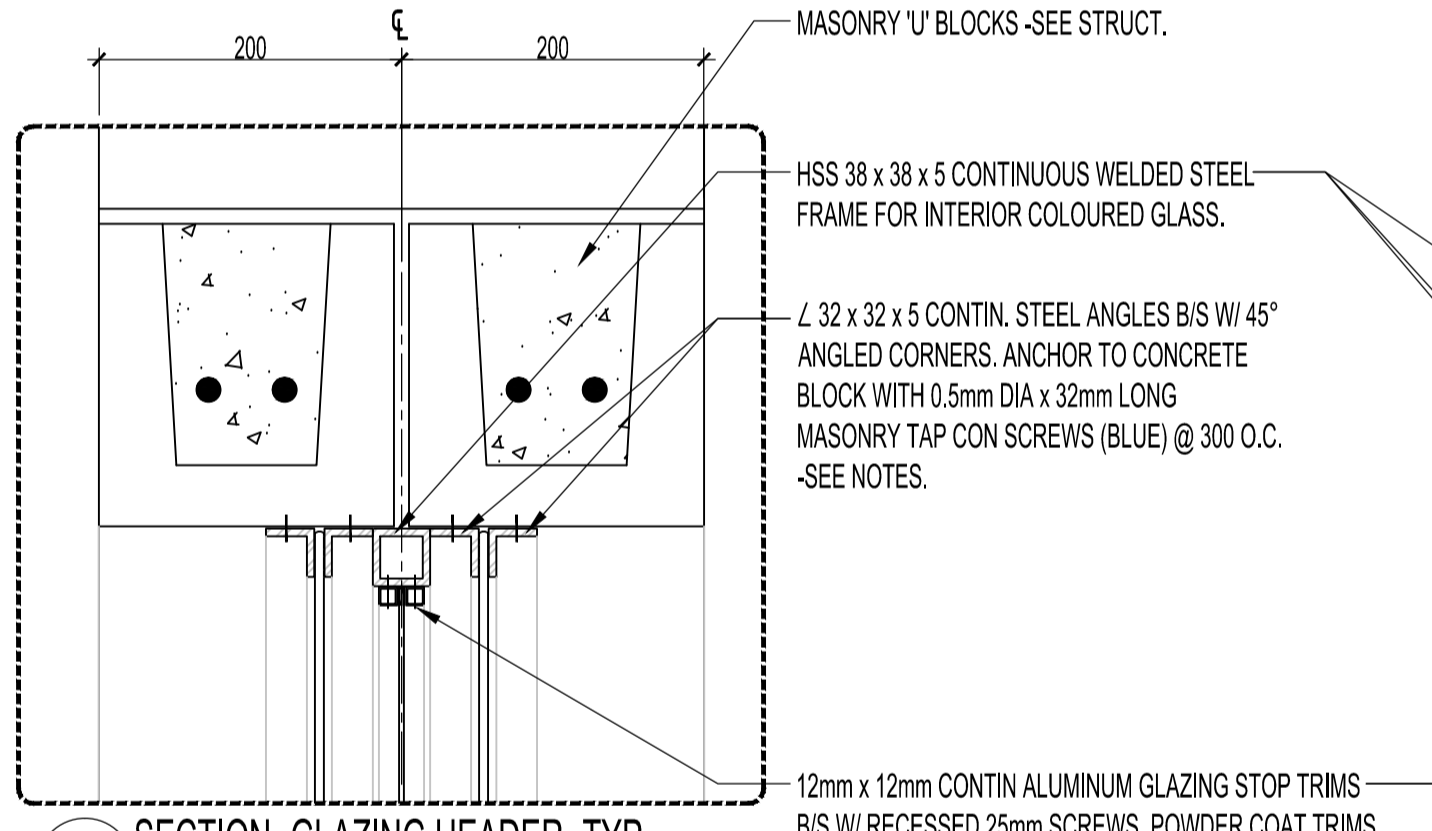
**NOTES:**  
ALL METAL FLASHING TO BE PRE-FINISHED IN GUN METAL BLACK COLOUR.  
ALL STEEL COMPONENTS TO HAVE 2 COATS METAL PRIMER & POWDER COATED IN GUN METAL BLACK.  
ALL MASONRY TAP CON SCREWS TO BE PAINTED GUN METAL BLACK TO MATCH OR HAVE A POWDER COATED FINISH.  
ALL COLOURED & TEXTURED CLEAR GLASS & ZINC FRAMES TO BE FROM LOCAL STAINED GLASS STUDIOS. RECOMMENDED STUDIO: PRAIRIE STUDIO GLASS 587 SARGENT AVENUE WPG. MB. R3B 1W6 (204) 783-1117 CONTACT: MATTHEW McMILLAN  
COLOURS TO BE LOCATED IN LOCATIONS SHOWN ON ELEVATIONS.  
COLOURS & CLEAR TEXTURED GLAZING TO BE:  
YELLOW - WISSMACH 31DR  
BLUE - WISSMACH 18DR  
RED - WISSMACH 342DR  
CLEAR GRANITE TEXTURED - WISSMACH 01G  
ALL GLASS FROM STUDIO TO HAVE ZINC FRAMES 12mm 'C' CHANNEL. ALL ZINC TO BE FINISHED IN A BLACK PATINA. ALL FRAMES TO HAVE 6mm SETTING BLOCKS @ TOP & BTM. OF PANELS.  
ALL EXTERIOR CONCRETE BLOCK WALLS TO BE EXPOCRETE TERRAZZO (BURNISHED) ARCHITECTURAL MASONRY BLOCKS IN GRANITO 305. BLOCK WALLS TO HAVE CLOVERDALE AQUA SEAL #43700.



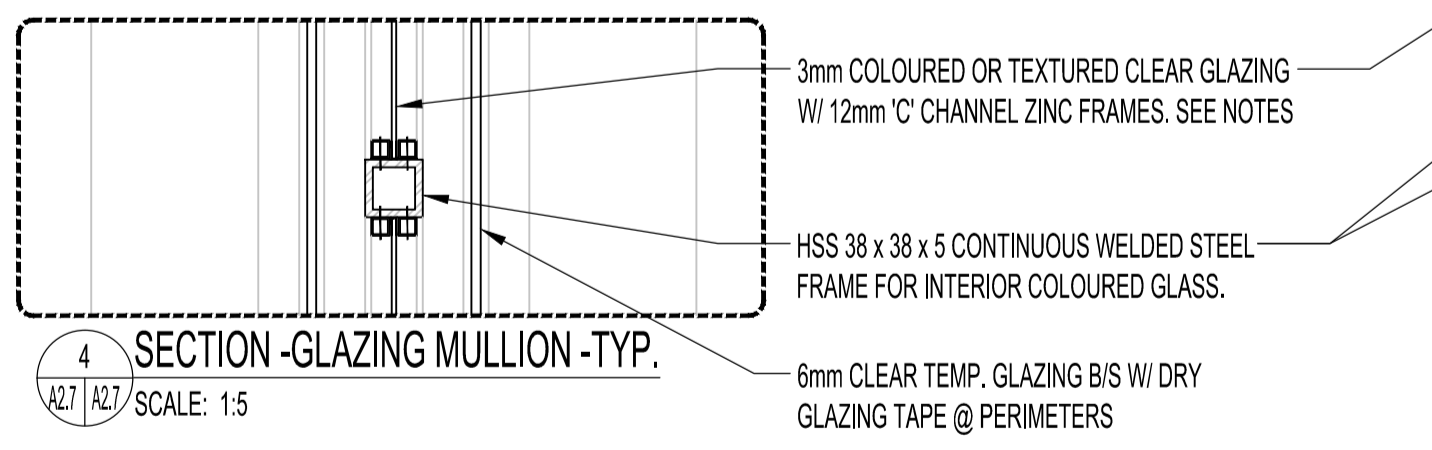
1 SECTION - WIND WALLS - TYP.  
A2.3 / A2.5 SCALE: 1:20



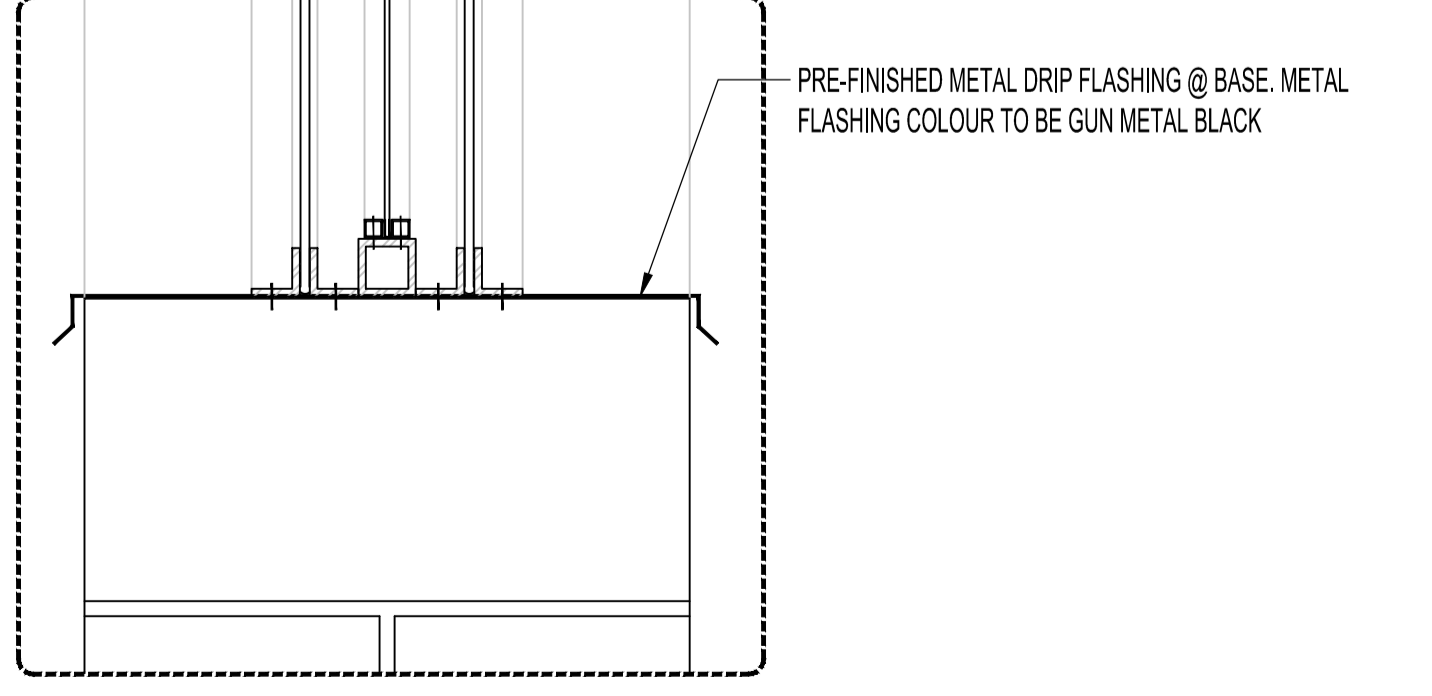
2 SECTION - WIND WALL CAP @ BLDG. - TYP.  
A2.7 SCALE: 1:10



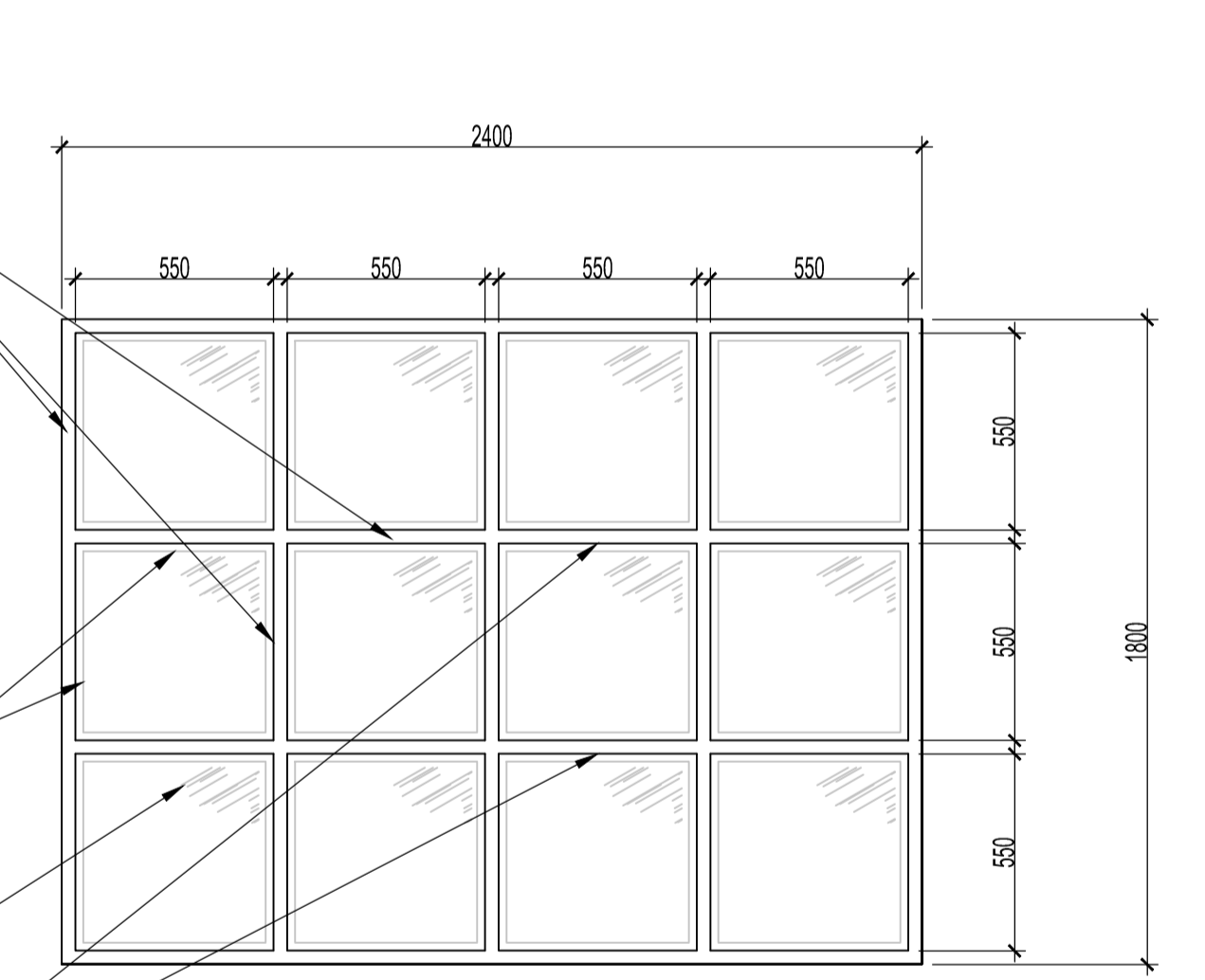
3 SECTION - GLAZING HEADER - TYP.  
A2.7 SCALE: 1:5



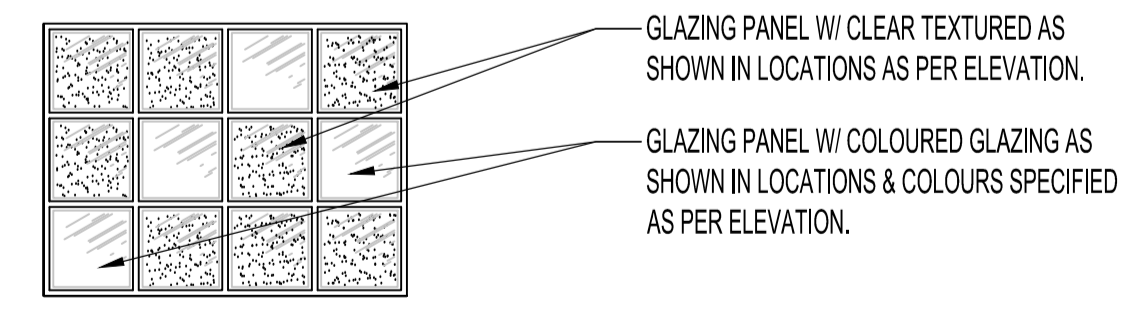
4 SECTION - GLAZING MULLION - TYP.  
A2.7 SCALE: 1:5



5 SECTION - GLAZING SILL - TYP.  
A2.7 SCALE: 1:5



ELEVATION - TYPICAL GLAZING PANEL  
SCALE: 1:20



ELEVATION - TYPICAL GLAZING PANEL TYPES  
SCALE: 1:50

No.	REVISION/DESCRIPTION	BY	DATE
1	ISSUED FOR ADDENDUM #2	JAW	JUNE 15, 2017
0	ISSUED FOR CONSTRUCTION	MMK	MAR 17, 2017

ORIGINAL STAMPED BY: R. LI  
DATE: MARCH 20, 2017

DRAWN	CHECKED	DESIGNED	APPROVED
MMK			

THE CITY OF WINNIPEG  
PLANNING, PROPERTY AND DEVELOPMENT DEPARTMENT  
MUNICIPAL ACCOMMODATIONS DIVISION  
3-65 GARRY STREET, R3C 4K4

PROJECT  
BRADY ROAD LANDFILL  
ADMINISTRATION BUILDING  
DEVELOPMENT FOR BRADY LANDFILL  
1777 BRADY ROAD

SHEET TITLE  
WIND WALLS  
PLANS, ELEVATION & SECTIONS

SCALE	PROJECT No:	SHEET No:
AS SHOWN	2015-037	A2.7-R1