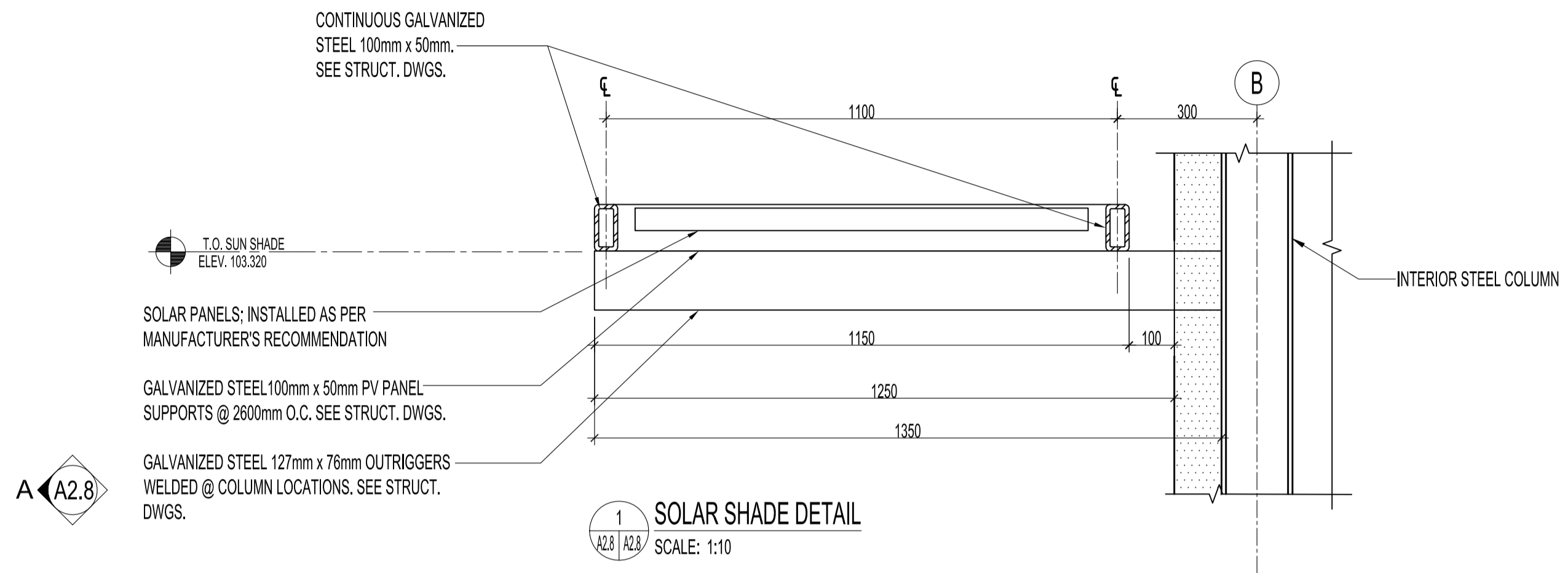
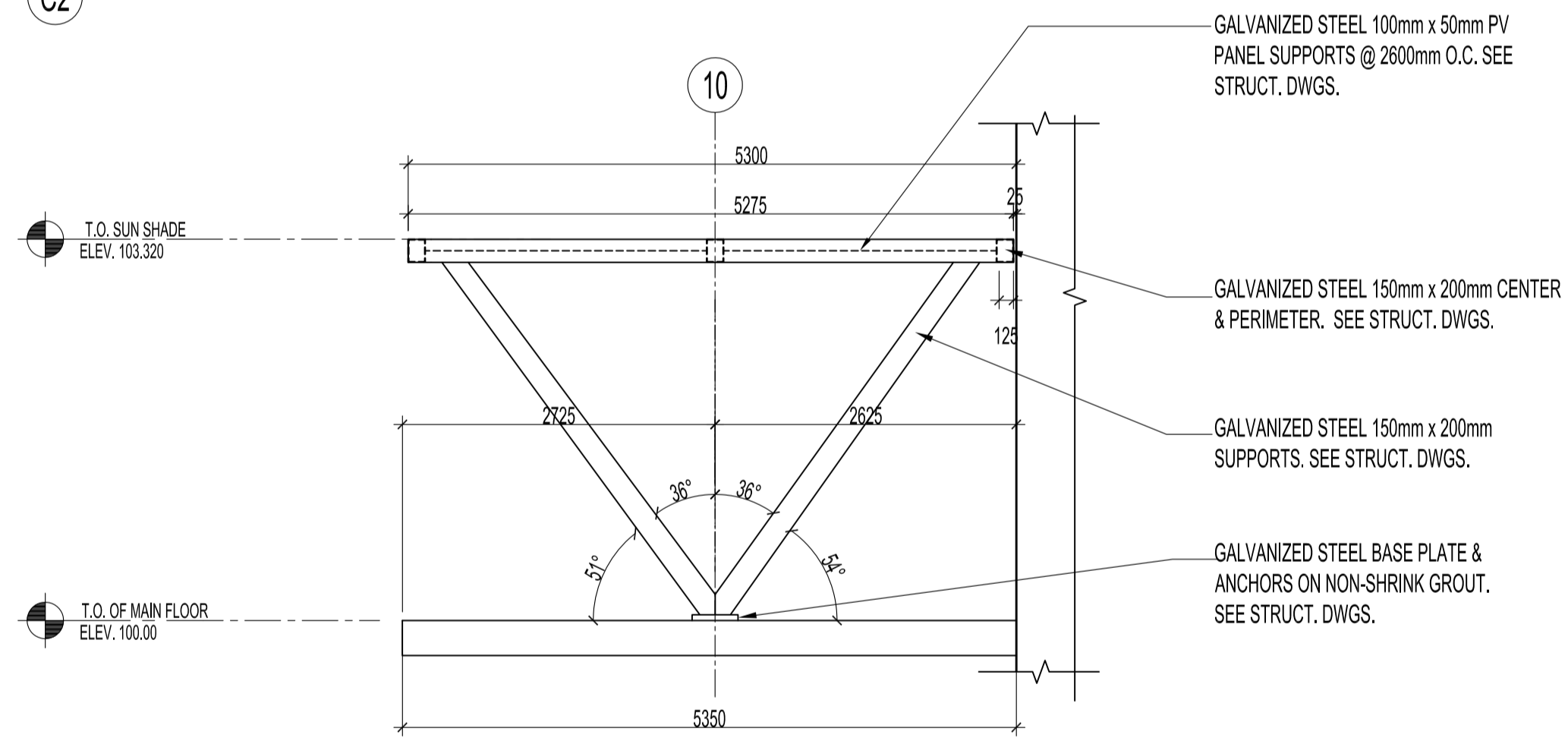


1 PARTIAL MAIN FLOOR PLAN -WINDOW SOLAR SHADE & PATIO SOLAR SHADE
SCALE: 1:100



1 SOLAR SHADE DETAIL
SCALE: 1:10



A ELEVATION -PATIO: EAST VIEW, (WEST VIEW SIMILAR)
SCALE: 1:50

NOTES:

1. SOLAR PANELS ARE BY SOLAR MANITOBA. PANELS TO BE (20 TOTAL) BI-FACIAL PV PANELS 23 x LG NEON 380 @ 2600mm x 1100mm x 400mm THICK.
2. SEE STRUCTURAL DRAWINGS FOR ALL STEEL COMPONENTS. SEE ELEC. DWGS FOR POWER.
3. COORDINATE INSTALLATION W/ SOLAR PANEL INSTALLER FOR ACCURATE MEASUREMENTS.

0	ISSUED FOR CONSTRUCTION	MMK	MAR 17, 2017
No.	REVISION/DESCRIPTION	BY	DATE

SEAL



DRAWN	CHECKED	DESIGNED	APPROVED
DATE	USER	APPROVAL	
2016.08.30			

THE CITY OF WINNIPEG
PLANNING, PROPERTY AND
DEVELOPMENT DEPARTMENT
MUNICIPAL ACCOMMODATIONS DIVISION
3-65 GARRY STREET, R3C 4K4

PROJECT
BRADY ROAD LANDFILL
ADMINISTRATION BUILDING
DEVELOPMENT FOR BRADY LANDFILL
1777 BRADY ROAD

SHEET TITLE
WINDOW & PATIO SOLAR SHADE PANELS
PLANS, ELEVATIONS
& SECTIONS

SCALE	PROJECT No:	SHEET No:
AS SHOWN	2015-037	A2.8