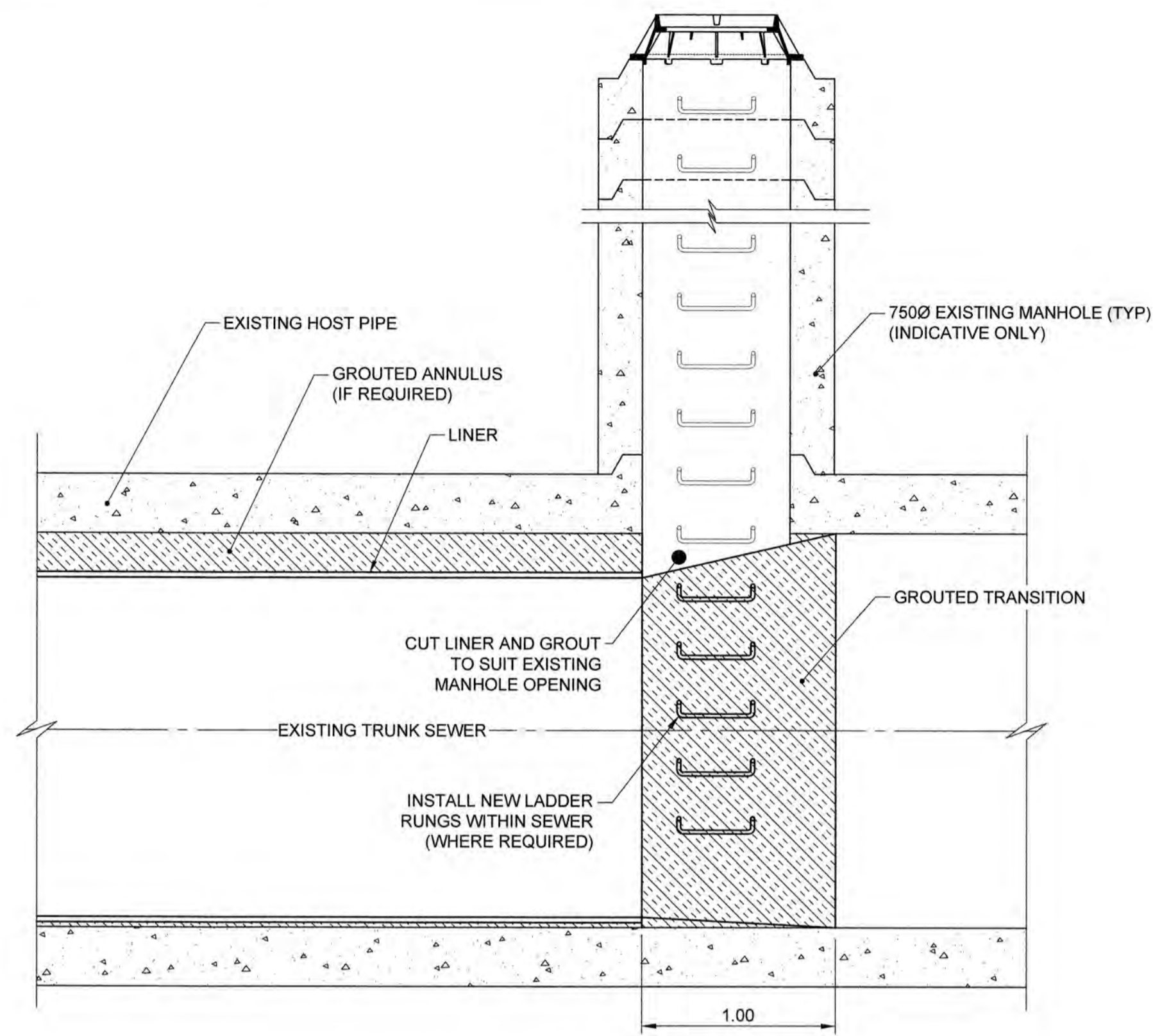
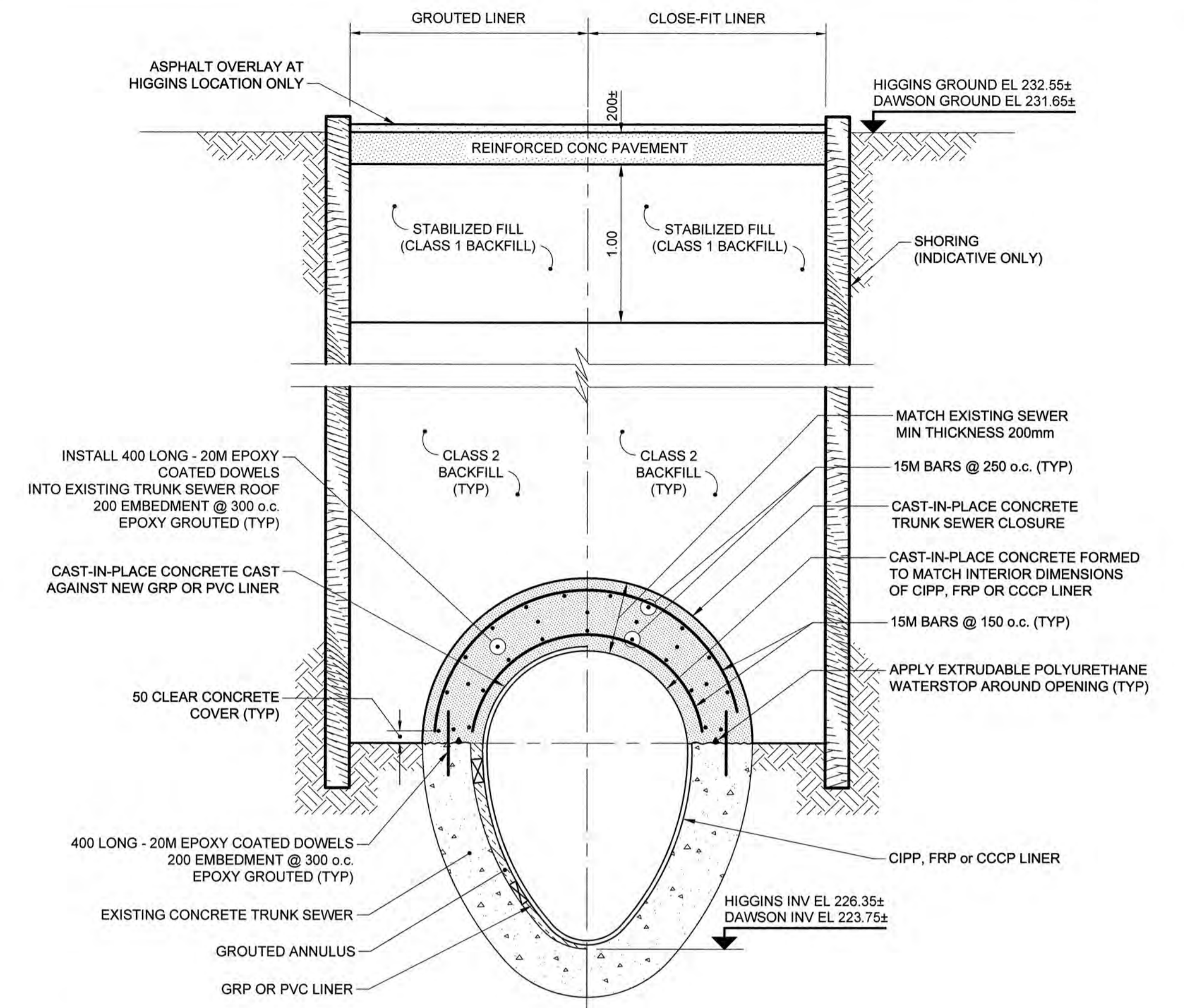


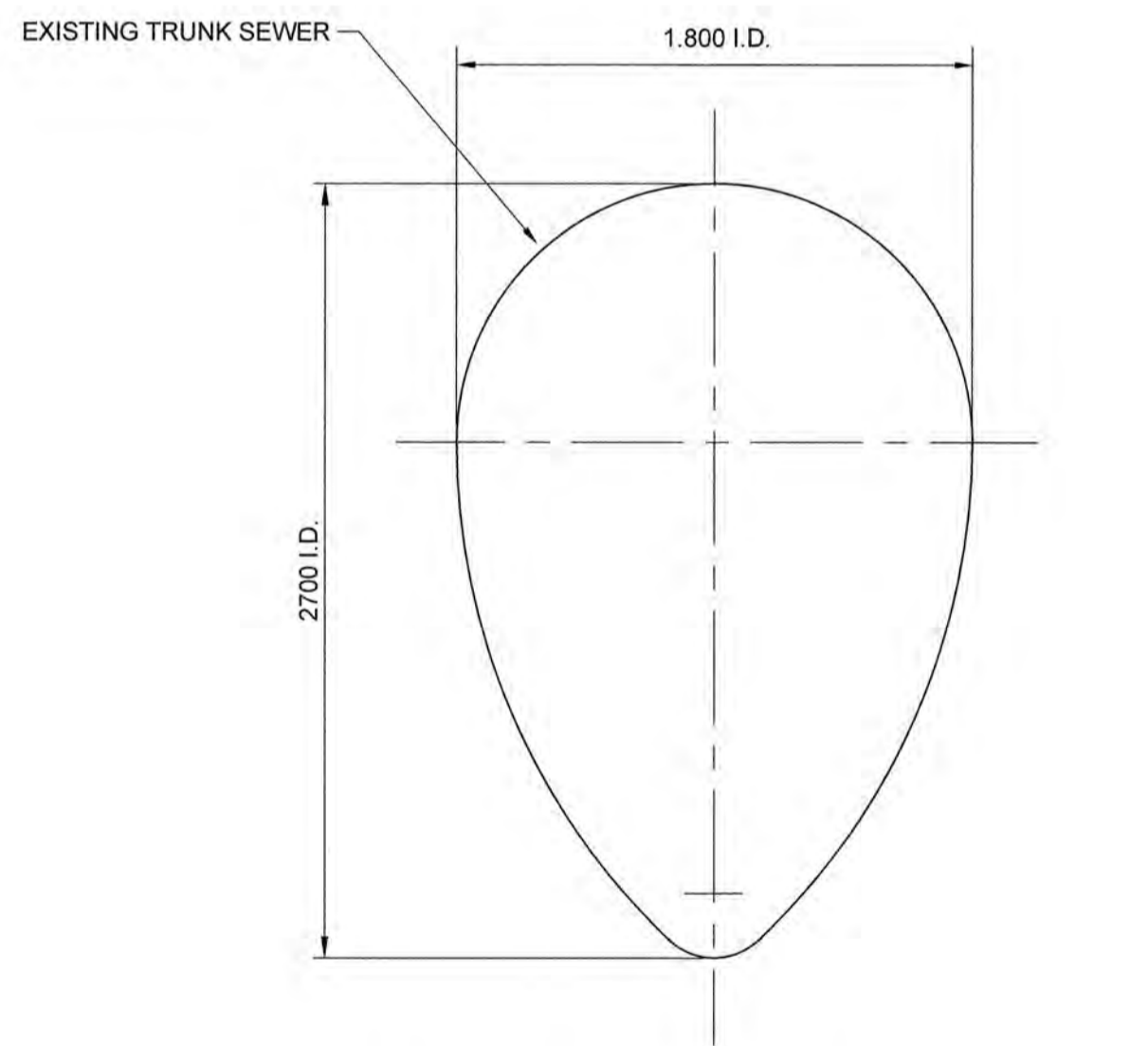
**1 TRUNK SEWER ACCESS SHAFT**  
(TYPICAL) Scale 1:25



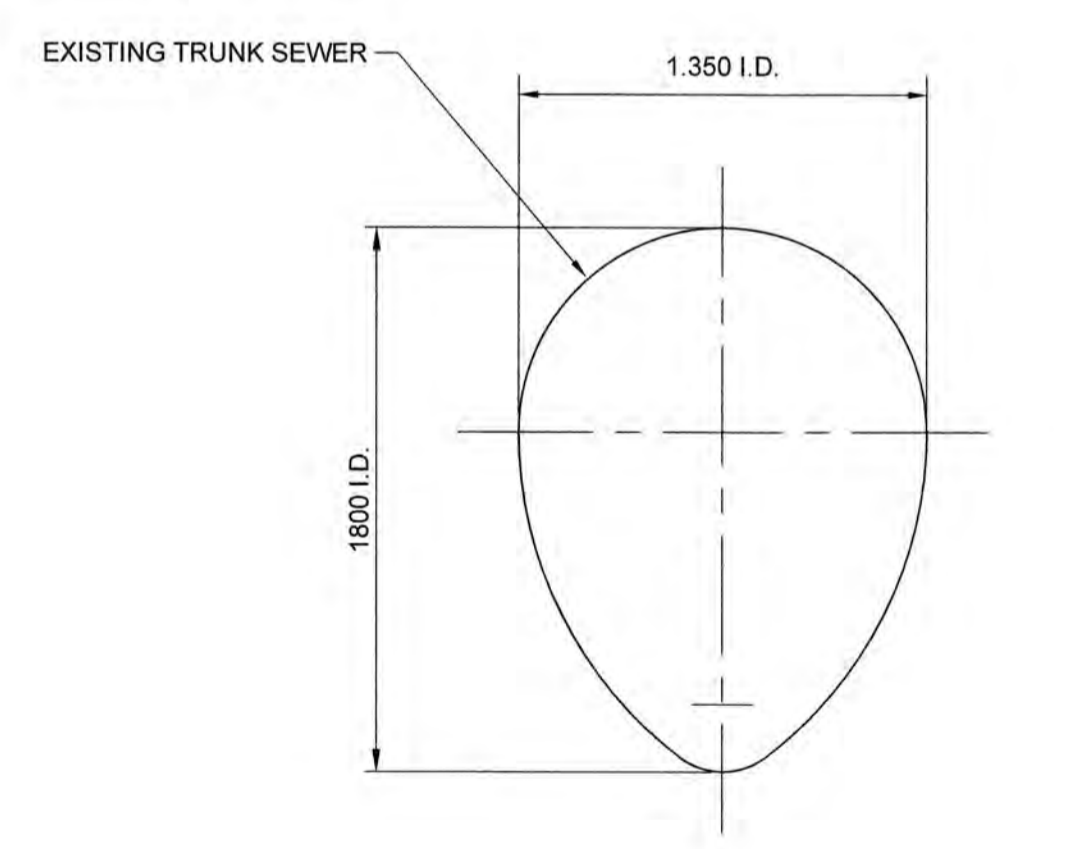
**2 LINER TERMINATION AT EXISTING MANHOLES**  
Scale 1:25



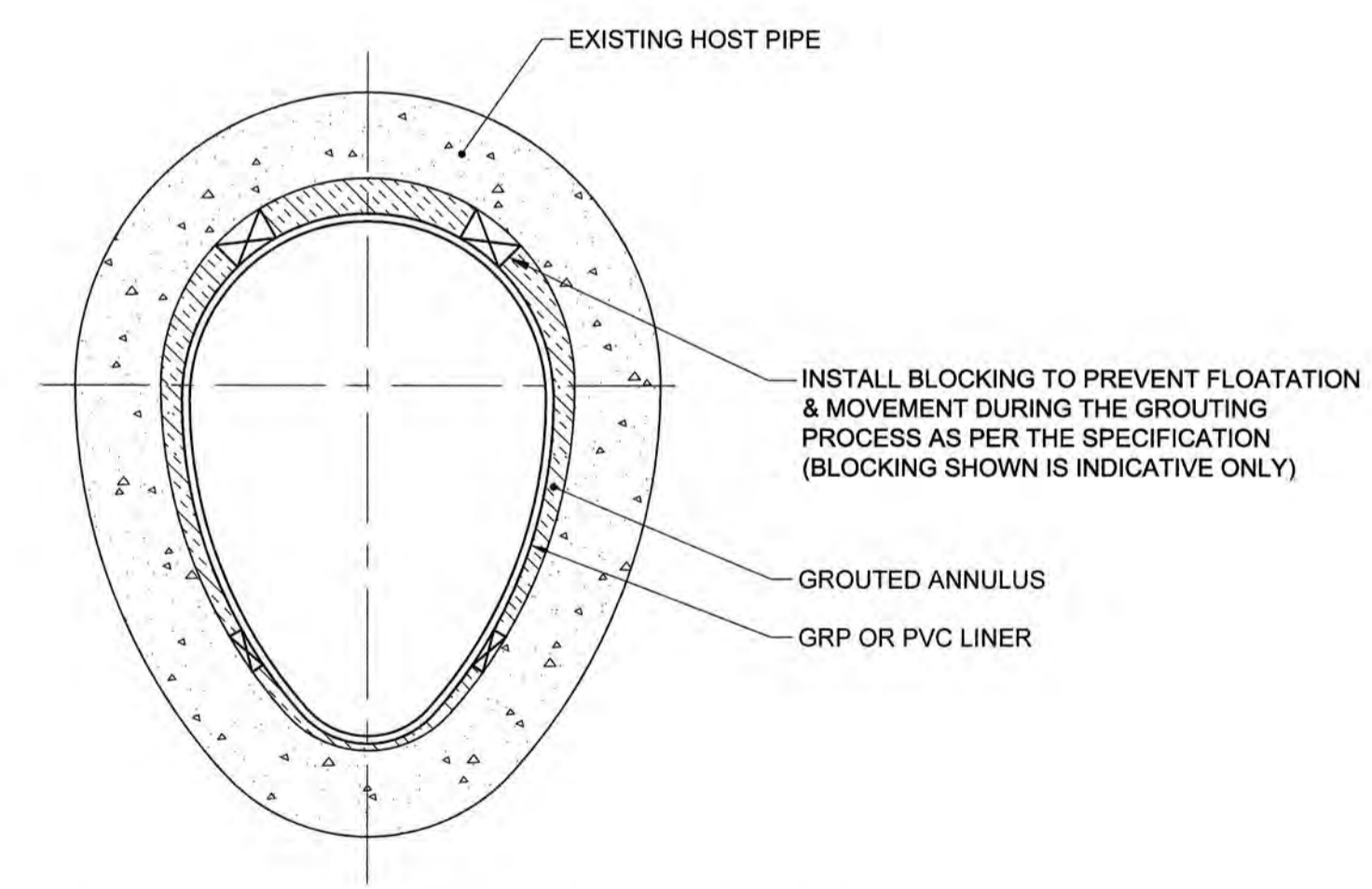
**A SECTION THRU TRUNK SEWER ACCESS SHAFT**  
(TYPICAL) - GROUDED REPAIR METHOD Scale 1:25



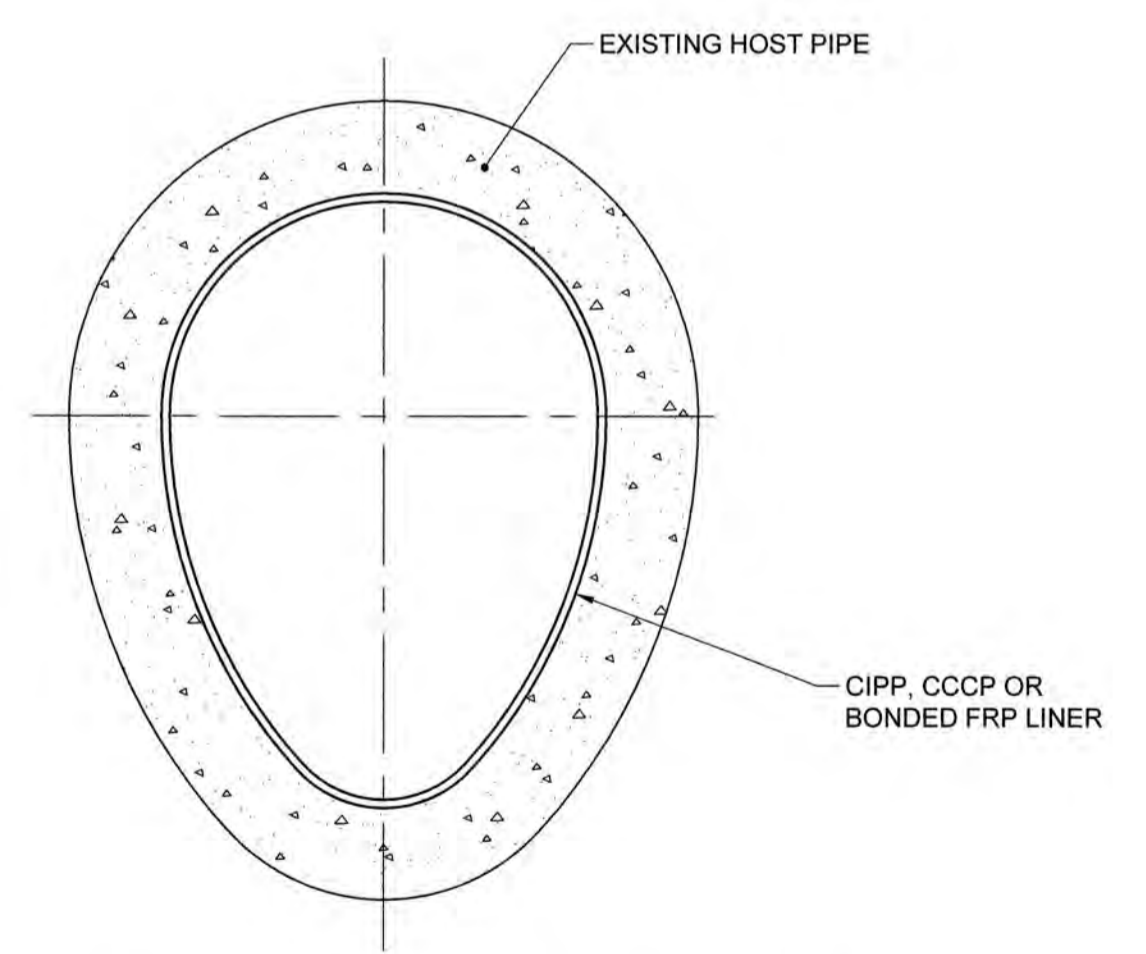
**3 CROSS-SECTION**  
DAWSON ROAD TRUNK Scale 1:25



**4 CROSS-SECTION**  
HIGGINS AVENUE TRUNK Scale 1:25



**5 GROUDED LINER - TYPICAL CROSS-SECTION**  
Scale 1:25



**5 CLOSE-FIT LINER - TYPICAL CROSS-SECTION**  
Scale 1:25

**GENERAL CONSTRUCTION NOTES:**

- CONTRACTOR TO CONFIRM SEWER DIMENSIONS PRIOR TO DESIGN
- CONSTRUCTION SHAFT FOR HIGGINS LOCATION TO BE DESIGNED AND CONSTRUCTED IN ACCORDANCE WITH CPR AND AREMA REQUIREMENTS



**METRIC**  
WHOLE NUMBERS INDICATE MILLIMETRES  
DECIMALIZED NUMBERS INDICATE METRES

**LOCATION APPROVED**  
UNDERGROUND STRUCTURES

SUPR. U/G STRUCTURES	DATE	COMMITTEE

NOTE: LOCATION OF UNDERGROUND STRUCTURES AS SHOWN ARE BASED ON THE BEST INFORMATION AVAILABLE. BUT NO GUARANTEE IS GIVEN THAT ALL EXISTING UTILITIES ARE SHOWN OR THAT THE GIVEN LOCATIONS ARE EXACT. CONFIRMATION OF EXISTENCE AND EXACT LOCATION OF ALL SERVICES MUST BE OBTAINED FROM THE INDIVIDUAL UTILITIES BEFORE PROCEEDING WITH CONSTRUCTION.

NO.	REVISIONS	DATE	BY
0	ISSUED FOR CONSTRUCTION	17/08/02	KLC

**AECOM**

DESIGNED BY	ADB	CHECKED BY	[Signature]
DRAWN BY	KLC	APPROVED BY	[Signature]
HOR. SCALE	1:250	RELEASED FOR CONSTRUCTION	[Signature]
VERT. SCALE	1:50	DATE	17/08/17

PROFESSIONAL'S SEAL  
PROVINCE OF MANITOBA  
A.D. BRAUN  
Member 24453  
REGISTERED PROFESSIONAL ENGINEER  
CONSULTANT DRAWING NO.  
60528374-SHT-00-0000-C-4002

**THE CITY OF WINNIPEG**  
WATER AND WASTE DEPARTMENT

2017 TRENCHLESS REHABILITATION OF NON-CIRCULAR COMBINED SEWERS  
CONTRACT 1

CIVIL  
MISCELLANEOUS SECTIONS & DETAILS

SHEET 4 OF 4  
CITY DRAWING NUMBER  
**11635**  
REV 0

BID OPPORTUNITY NO. 558-2017