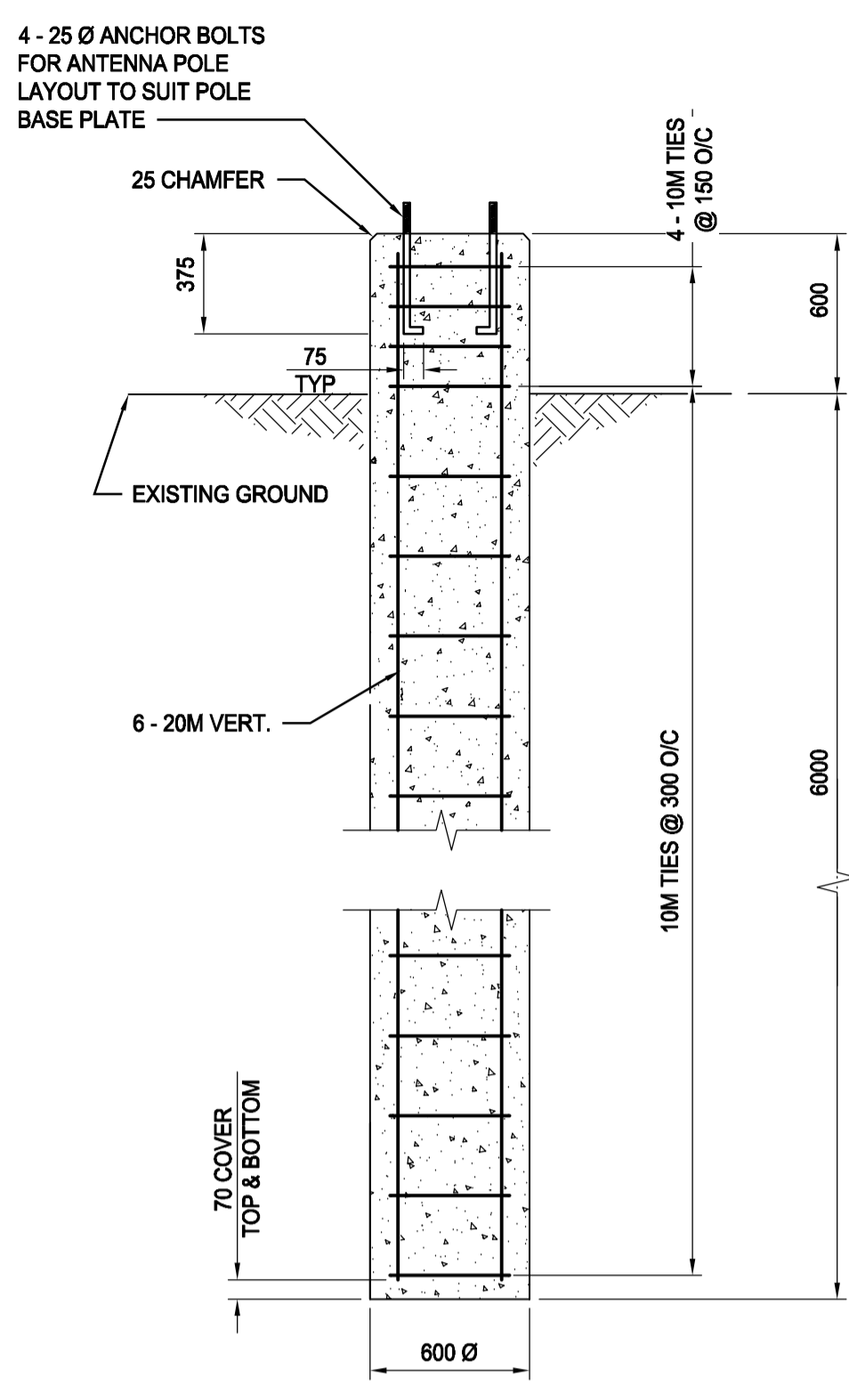


PLAN
SCALE 1:25



NEW ANTENNA & LIGHT POLE BASE
SCALE 1:25

CONSTRUCTION NOTES:

1. THE CONTRACTOR SHALL READ STRUCTURAL DRAWINGS IN CONJUNCTION WITH CIVIL, ELECTRICAL DRAWINGS, SPECIFICATIONS, AND OTHER CONTRACT DOCUMENTS.
2. THE CONTRACTOR SHALL CHECK AND VERIFY ALL DIMENSIONS WITH STRUCTURAL FRAMING MANUFACTURER AND ELEVATIONS PRIOR TO COMMENCING WITH CONSTRUCTION WORK.
3. THE CONTRACTOR SHALL VERIFY EXISTING UTILITIES AND REASSURE THAT THE NEW FOUNDATION LOCATIONS DO NOT INTERFERE WITH THE EXISTING UTILITIES.
4. THE CONTRACTOR SHALL BE RESPONSIBLE FOR SAFEGUARDING AND PROTECTION OF THE EXISTING FACILITIES AND UTILITIES WHICH MAY BE AFFECTED BY THE WORK OF THIS CONTRACT.
5. THE CONTRACTOR SHALL NOTIFY THE ENGINEER OF RECORD TWO WORKING DAYS IN ADVANCE FOR REVIEW OF CONCRETE REINFORCEMENT BEFORE EACH POUR.
6. ALL WORK SHALL CONFORM TO THE NATIONAL BUILDING CODE OF CANADA (2015) AND TO THE RELATED RECENT PROVINCIAL BUILDING CODE.
7. DO NOT CONSTRUCT FROM THESE DRAWINGS UNLESS MARKED "ISSUED FOR CONSTRUCTION".
8. DO NOT SCALE FROM THE DRAWINGS.

SLAB-ON-GRADE

1. REMOVE ALL ORGANIC TOP SOIL, FILL AND OTHER DELETERIOUS MATERIAL FROM SLAB AREA. DEPTH OF TOP SOIL AND FILL MAY VARY.
2. GRADE SHALL BE COMPACTED PRIOR TO THE PLACEMENT OF NEW BACKFILL.
3. PROVIDE 10 MIL POLYETHYLENE VAPOUR BARRIER TO THE UNDERSIDE ON SLAB-ON-GRADE AS PER DRAWING.
4. PROTECT SUBGRADE FROM FREEZING BEFORE, DURING AND AFTER CONCRETE IS POURED. PROVIDE PROTECTION TO MAINTAIN SUBGRADE TEMPERATURE ABOVE 5°C.

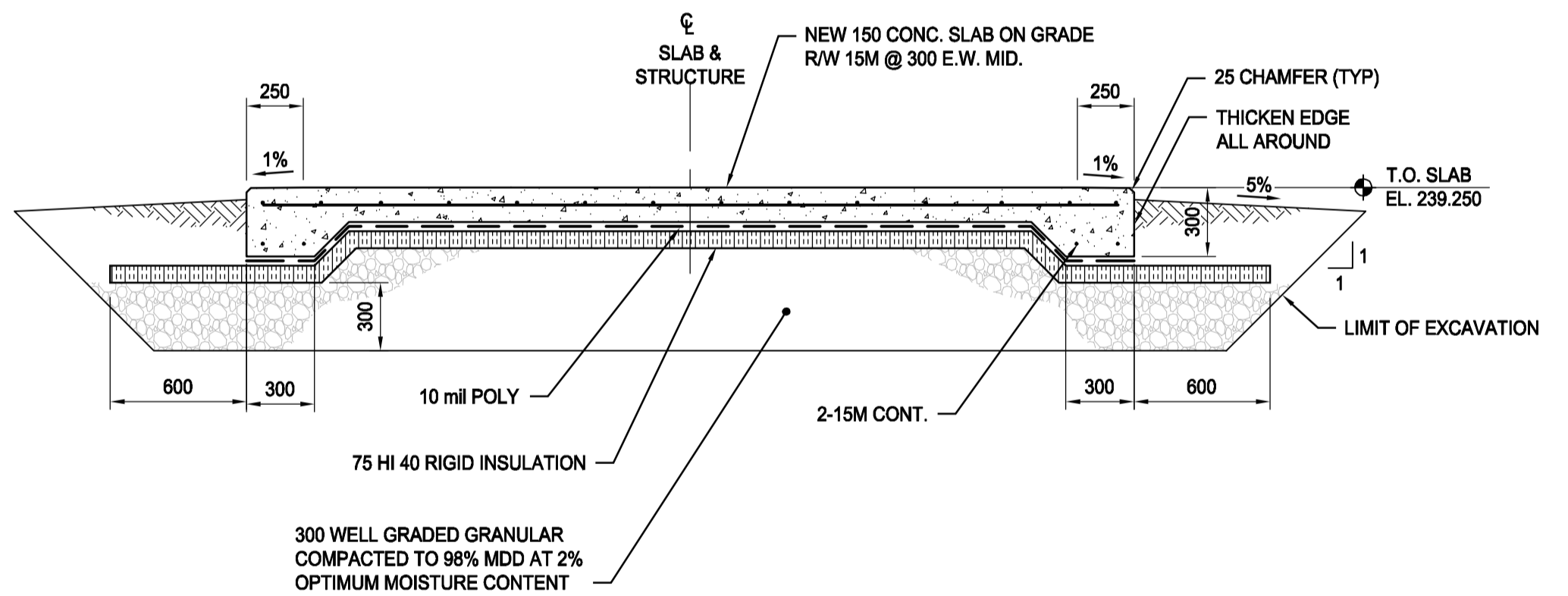
EXP. CLASS	SUPPLY AND USE	MAX. W/C	STRENGTH	CEMENT TYPE	SLUMP	MAX. AGG. SIZE	AIR ENTRAINMENT	MAX. FLY ASH CONTENT
C-1	SLAB ON GRADE	0.4	35 MPa @ 28 DAYS	GU	120 ± 20 mm	19 mm	5% - 8%	25%
S-2	ANTENNA POLE BASE	0.45	32 MPa @ 56 DAYS	HS	120 ± 20 mm	19 mm	5% - 8%	25%

REINFORCEMENT

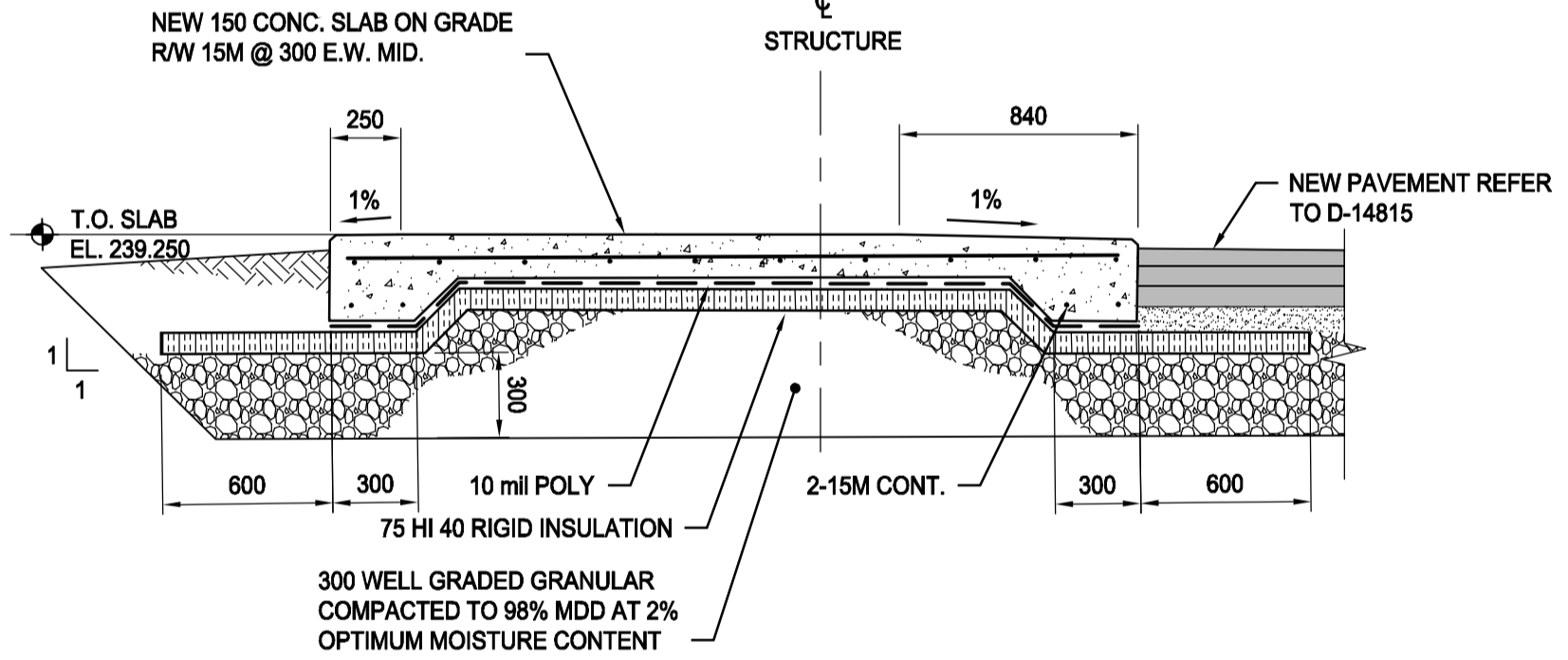
1. REINFORCING STEEL SHALL CONFORM TO CSA G30.18-09 GRADE 400. USE GRADE 400W WHERE WELDING IS REQUIRED OR NOTED.
2. CONCRETE COVER SHALL 60 mm, UNLESS NOTED OTHERWISE.
3. CLEAR COVER SHALL BE GREATER THAN 1.5 TIMES BAR DIAMETER.
4. CLEAR SPACING SHALL BE GREATER THAN 2 TIMES BAR DIAMETER.
5. MULTIPLY THE CLEAR COVER AND THE CLEAR SPACING BY 1.5 FOR EPOXY COATED REBARS.
6. MULTIPLY THE CLEAR COVER AND THE CLEAR SPACING BY 1.3 FOR HORIZONTAL BARS SO PLACED THAT MORE THAN 300 MM OF FRESH CONCRETE IS CAST IN THE MEMBER BELOW THE DEVELOPMENT LENGTH OR SPLICE.
7. COMBINATION OF THE ABOVE TWO FACTORS NEEDS NOT EXCEED 1.7.
8. MINIMUM LAP LENGTH FOR 15M SHALL BE 750 UNLESS NOTED OTHERWISE.
9. THE CONTRACTOR SHALL PREPARE AND SUBMIT DETAILED REINFORCING STEEL SHOP DRAWINGS FOR ENGINEER OF RECORD TO REVIEW PRIOR TO COMMENCING FABRICATION.

DESIGN LOADS

1. SUPERIMPOSED DEAD LOADS	
STRUCTURAL FRAMING	26 kN
OTHER	2.4 kPa
2. LIVE LOADS	3.6 kPa



A SECTION
SCALE 1:25



B SECTION
SCALE 1:25

METRIC
WHOLE NUMBERS INDICATE MILLIMETRES
DECIMALIZED NUMBERS INDICATE METRES
UNLESS OTHERWISE NOTED



FILENAME: 175009-09-SHT-DES-S01.DWG - PLOTTED BY: KOWALSKI, STANLEY
PLOT DATE: 2017-11-24 8:58:08 AM PLOT SCALE: 1:10009 PLOT STYLE: FULL-COLOR.CTB



LOCATION APPROVED UNDERGROUND STRUCTURES SUPV. U/G STRUCTURES COMMITTEE DATE NOTE: LOCATION OF UNDERGROUND STRUCTURES AS SHOWN ARE BASED ON THE BEST INFORMATION AVAILABLE BUT NO GUARANTEE IS GIVEN THAT ALL EXISTING UTILITIES ARE SHOWN OR THAT THE GIVEN LOCATIONS ARE EXACT. CONFIRMATION OF EXISTENCE AND EXACT LOCATION OF ALL SERVICES MUST BE OBTAINED FROM THE INDIVIDUAL UTILITIES BEFORE PROCEEDING WITH CONSTRUCTION.		B.M. ELEV. CONSTRUCTION COMPLETION DATE: YYYY MM DD	 DESIGNED BY NR DRAWN BY DJB SCALE: HORIZONTAL AS SHOWN VERTICAL AS SHOWN DATE 2017 11 24	ENGINEER'S SEAL CHECKED BY NR APPROVED BY BLM RELEASED FOR CONSTRUCTION DATE CONSULTANT DRAWING NUMBER S-01	 THE CITY OF WINNIPEG WATER AND WASTE DEPARTMENT ENGINEERING DIVISION 2017 REHABILITATION OF PUBLIC WATER SERVICE OUTLETS: PAVEMENT WORKS, BUILDING SUPPLY AND REPAIRS, DEMOLITION AND ELECTRICAL MCCARTHY STREET STRUCTURAL SLAB SHEET 10 OF 33 CITY DRAWING NUMBER D-14916
0 ISSUED FOR BID OP 634-2017 17/11/23 B.L.M. NO. REVISIONS DATE BY		PLOT DATE: 2017 11 24	BID OPPORTUNITY: 634-2017 CONTRACT NUMBER: X	FILE PATH: C:\project\se\working_directory\active\40skd\0462543. FILE NAME: 175009-09-SHT-DES-S01.dwg	