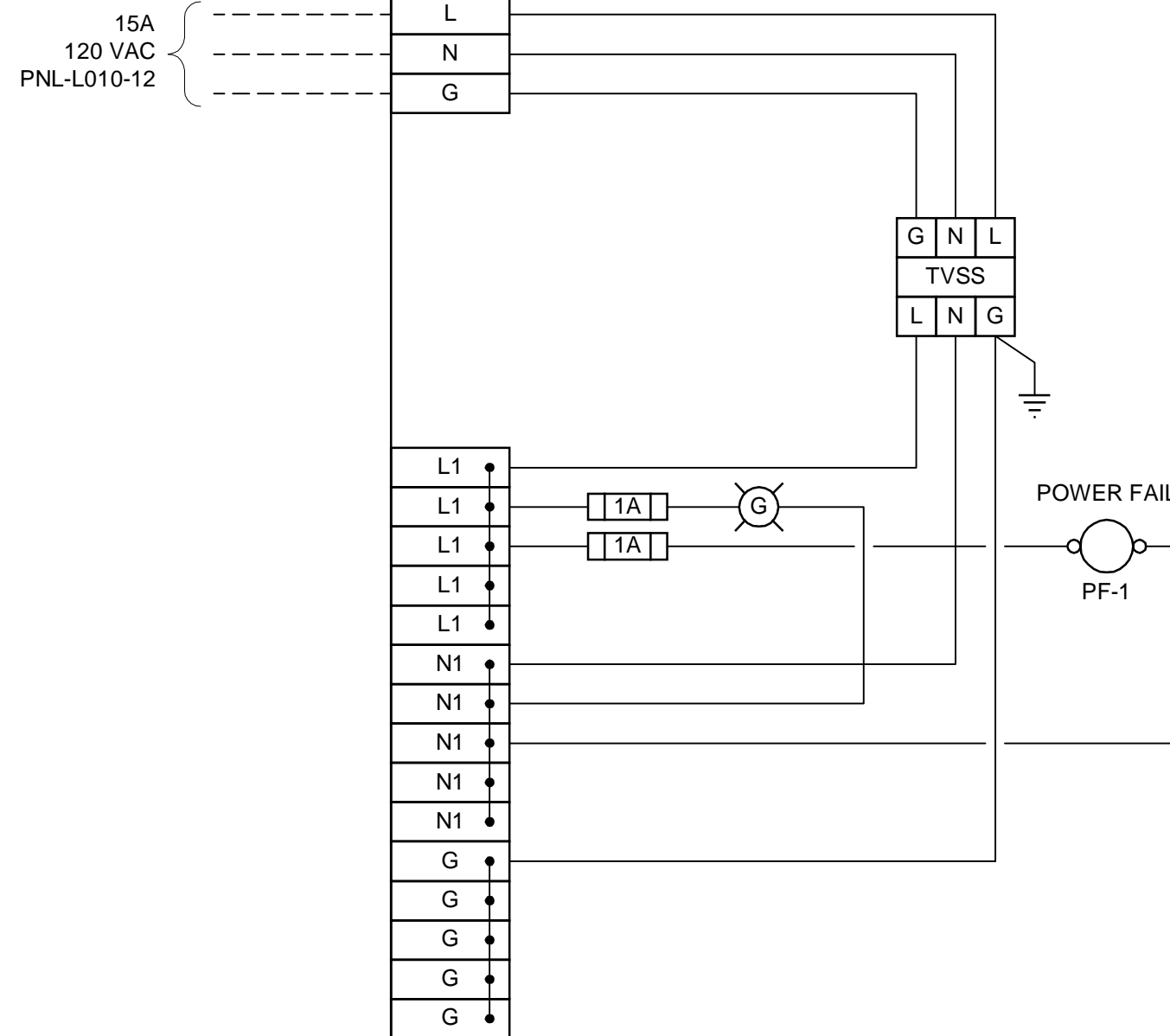


FIELD

CONTROL PANEL

SCADAPACK 357E 5606 I/O BOARD 350 CPU



File Name: c:\project\wise\working directory\active\40sk\40462543175009-13 chevrier-loops.dwg

NO.	REVISION	DATE	BY
0	ISSUED FOR BID OP 634-2017	17/11/23	B.L.M.

DATE: 17/07/06 PROJECT No. 175009



THE CITY OF WINNIPEG  
WATER AND WASTE DEPARTMENT  
ENGINEERING DIVISION

DESIGNED BY  
B.L.M.  
DRAWN BY  
S.C.K.

CHECKED BY  
B.L.M.  
APPROVED BY

2017 REHABILITATION OF PUBLIC WATER SERVICE  
OUTLETS: PAVEMENT WORKS, BUILDING SUPPLY  
AND REPAIRS, DEMOLITION AND ELECTRICAL  
**120 VAC POWER  
LOOP DIAGRAM**

SHEET 14 OF 33  
CITY DRAWING NUMBER  
D-14920