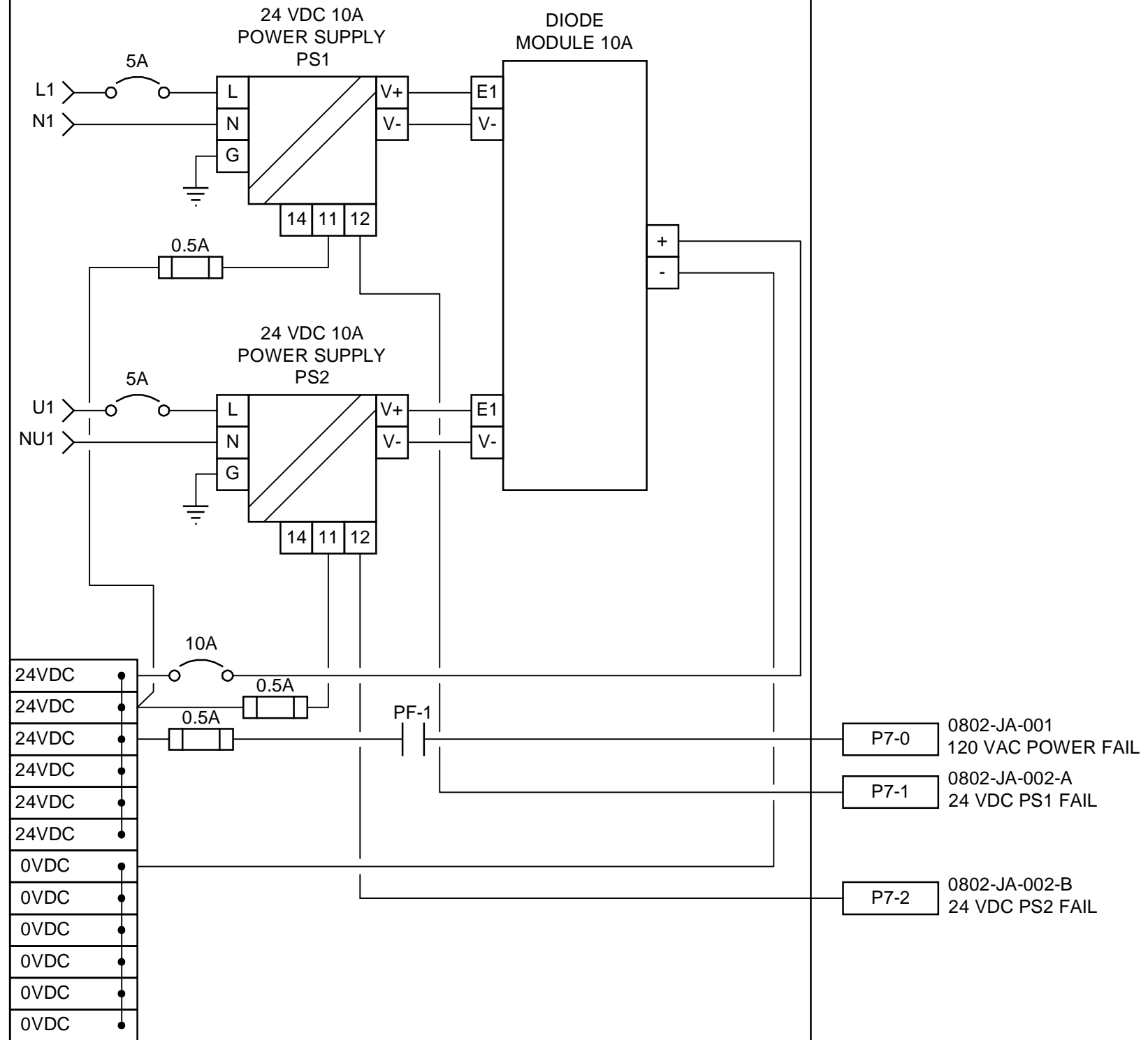


FIELD

CONTROL PANEL

SCADAPACK 357E 5606 I/O BOARD 350 CPU




- P7-0 0802-JA-001
120 VAC POWER FAIL
- P7-1 0802-JA-002-A
24 VDC PS1 FAIL
- P7-2 0802-JA-002-B
24 VDC PS2 FAIL

File Name: c:\project\working directory\active\40sk\40462543175009-21-mccarthy-loops.dwg

NO.	REVISION	DATE	BY
0	ISSUED FOR BID OP 634-2017	17/11/23	B.L.M.


DILLON
 CONSULTING
 DATE: 17/07/06 PROJECT No. 175009


THE CITY OF WINNIPEG
 WATER AND WASTE DEPARTMENT
 ENGINEERING DIVISION

DESIGNED BY	CHECKED BY
B.L.M.	B.L.M.
DRAWN BY	APPROVED BY
S.C.K.	

2017 REHABILITATION OF PUBLIC WATER SERVICE
 OUTLETS: PAVEMENT WORKS, BUILDING SUPPLY
 AND REPAIRS, DEMOLITION AND ELECTRICAL
McCARTHY STREET
24 VDC POWER LOOP DIAGRAM

SHEET 27 OF 33
CITY DRAWING NUMBER
D-14933