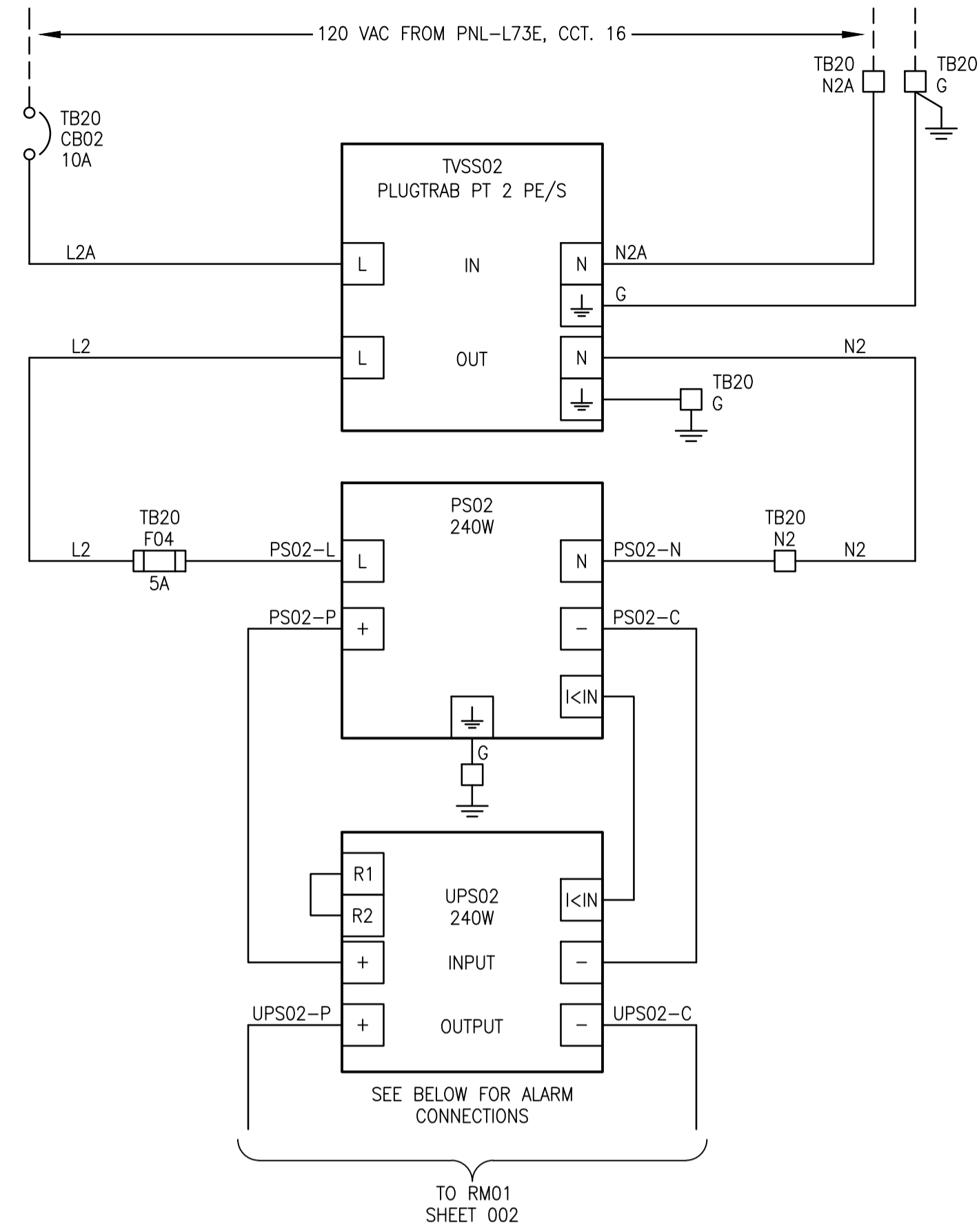
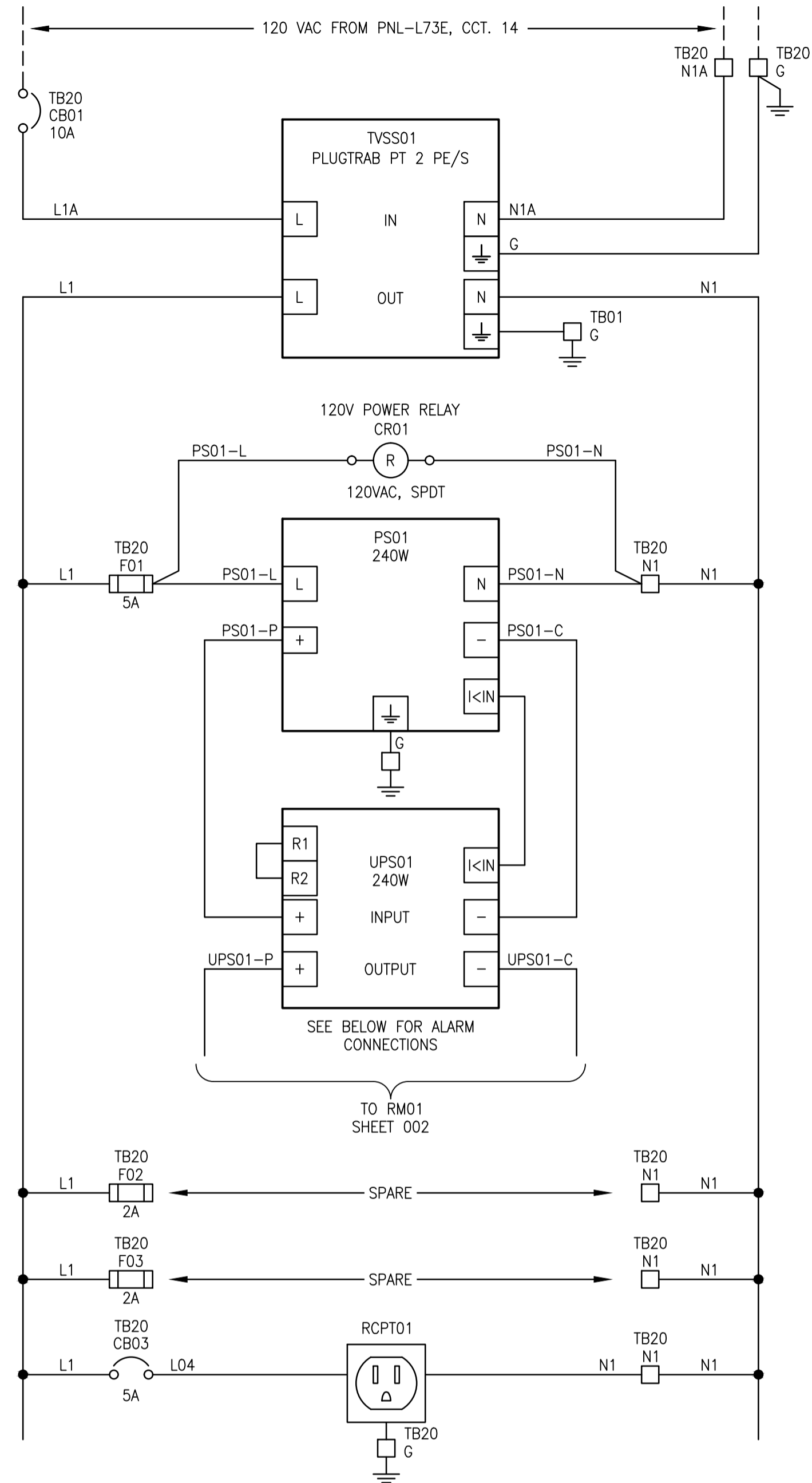
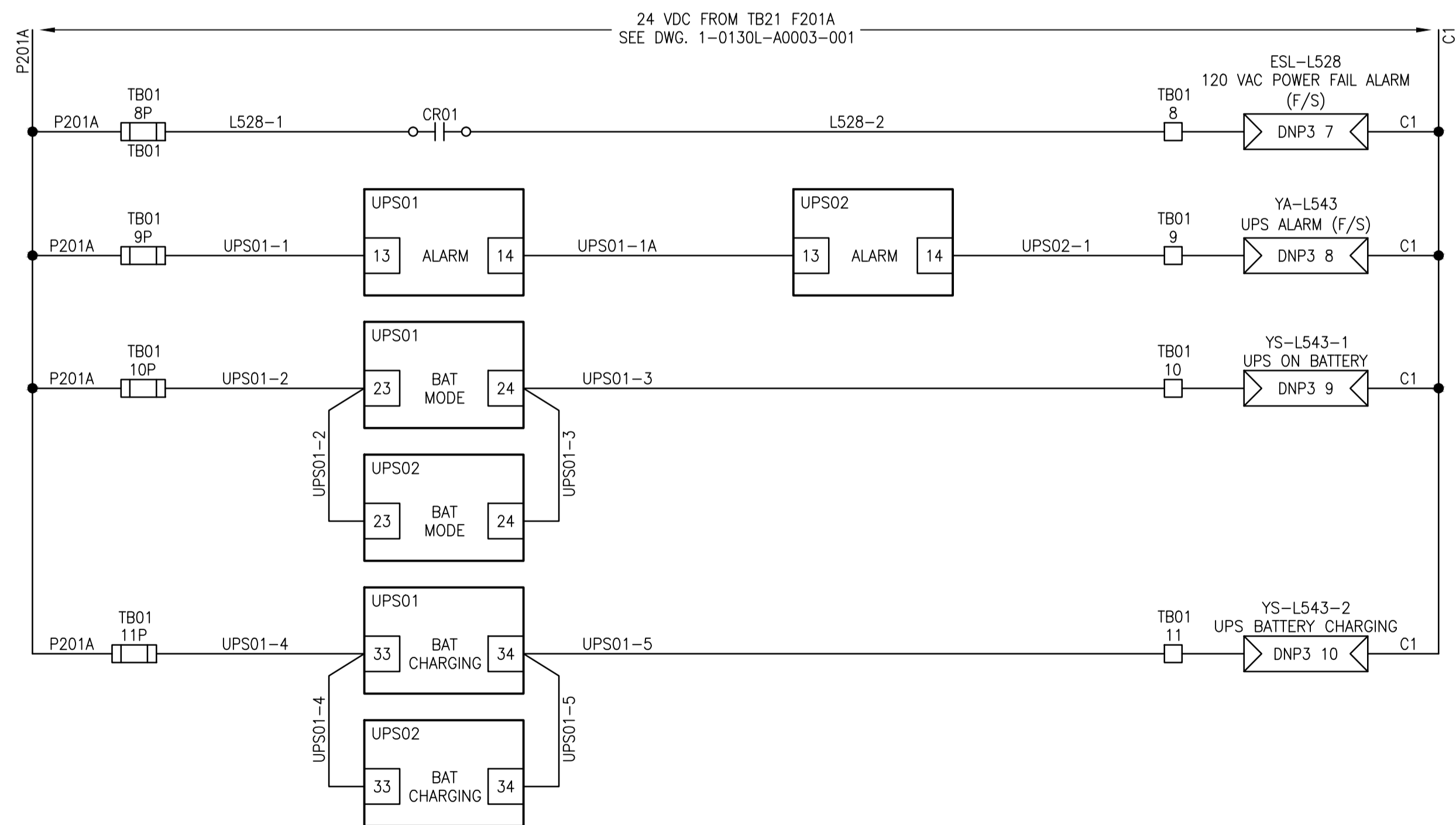
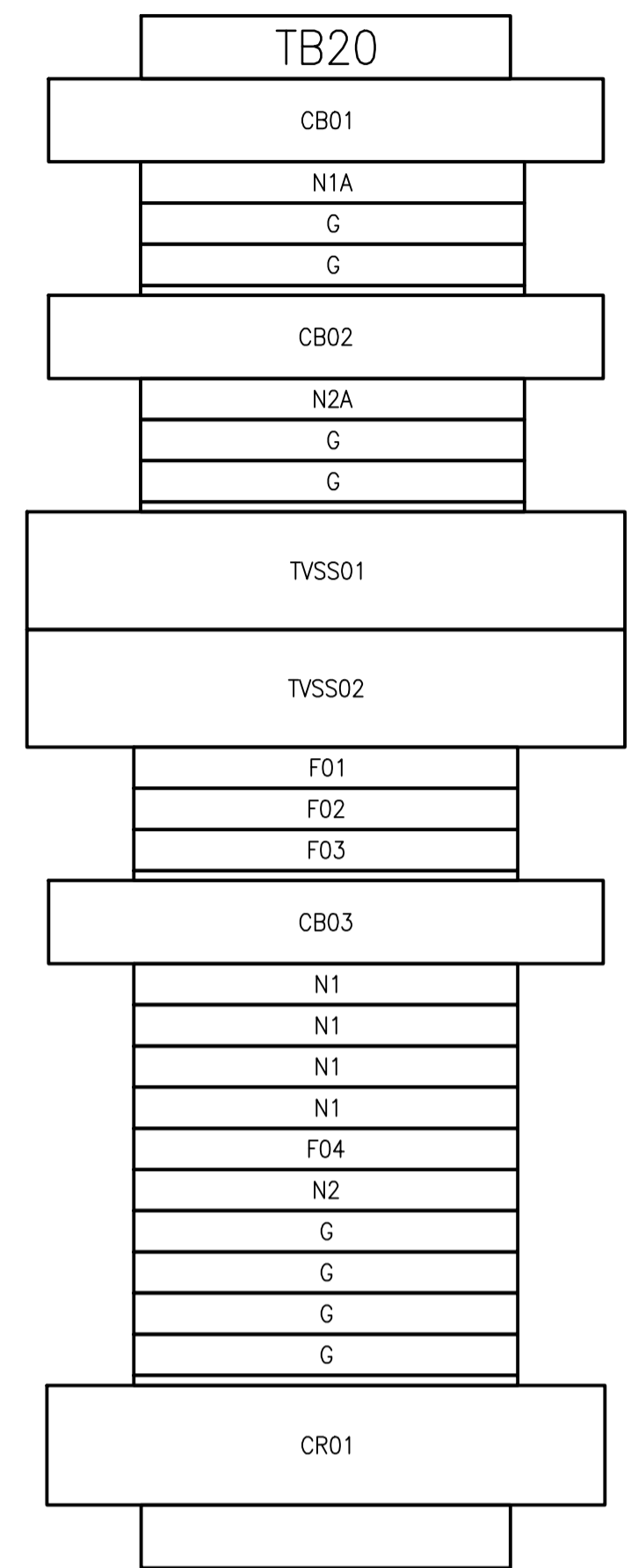


**SCHMATIC:**



**TERMINAL LAYOUT:**



**NOTES**

1. ALL 120VAC POWER WIRING TO BE A MINIMUM OF 12 AWG UNLESS OTHERWISE INDICATED.
2. ALL 24VDC POWER WIRING TO BE A MINIMUM OF 14 AWG UNLESS OTHERWISE INDICATED.



NO.	REVISIONS	DATE	DESIGN	CHECK
00	ISSUED FOR TENDER, BID OPP. 639-2017	2017-07-25	TMC	BJC

		SNC-LAVALIN INC. 148 Nature Park Way Winnipeg, MB, Canada R3P 0X7 204-786-8080	
DESIGNED BY:	T. CHURCH	CHECKED BY:	B. CLEVEN
DRAWN BY:	Y. KONIG	APPROVED BY:	B. CLEVEN
SCALE:	NTS	ISSUED FOR CONSTRUCTION	BY:
DATE:	2017/02/01	DATE:	
CONSULTANT NO.:			

ENGINEER'S SEAL

**PRELIMINARY**  
NOT TO BE  
USED FOR  
CONSTRUCTION

**THE CITY OF WINNIPEG**  
WATER AND WASTE DEPARTMENT

COMMUNITY ROW WASTEWATER PUMPING STATION  
2017 UPGRADES  
POWER DISTRIBUTION  
CONTROL PANEL CP-L81

CITY DRAWING NUMBER	SHEET	REV.	SIZE
1-0130L-A0002	001	00	A1

DRAWING NUMBER	REFERENCE DRAWINGS
----------------	--------------------