



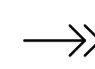
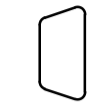
GENERAL NOTES

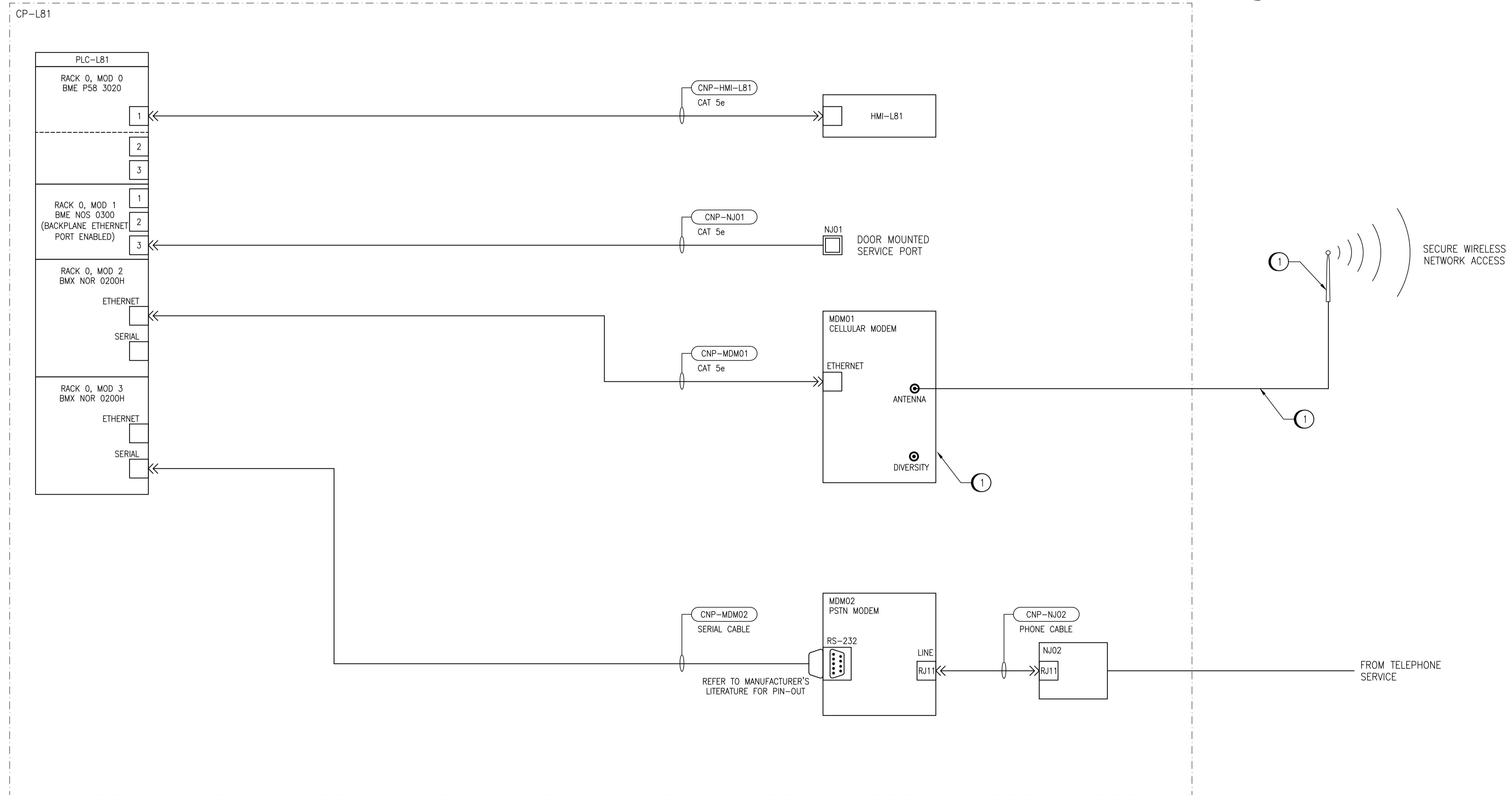
1. PROVIDE ALL NETWORK PATCH CABLES WITHIN CABINET.

SPECIFIC NOTES

① CELLULAR MODEM, ANTENNA, AND COAXIAL CABLE ARE SUPPLIED BY THE CITY OF WINNIPEG.

LEGEND:

-  RJ45 PORT
-  RJ45 JACK
-  RJ45 OR RJ11 CONNECTOR
-  D-SUB 9-PIN CONNECTOR



DRAWING NUMBER	REFERENCE DRAWINGS
----------------	--------------------



NO.	REVISIONS	DATE	DESIGN	CHECK
00	ISSUED FOR TENDER, BID OPP. 639-2017	2017-07-25	TMC	BJC

SNC-LAVALIN INC.
 148 Nature Park Way
 Winnipeg, MB, Canada R3P 0X7
 204-786-8080

DESIGNED BY: T. CHURCH
 DRAWN BY: S. BOGHOSIAN
 SCALE: NTS
 DATE: 2017/05/16
 CONSULTANT NO.:

CHECKED BY: B. CLEVEN
 APPROVED BY: B. CLEVEN
 ISSUED FOR CONSTRUCTION BY:
 DATE:

ENGINEER'S SEAL
PRELIMINARY
 NOT TO BE
 USED FOR
 CONSTRUCTION

THE CITY OF WINNIPEG
 WATER AND WASTE DEPARTMENT

COMMUNITY ROW WASTEWATER PUMPING STATION
 2017 UPGRADES
 NETWORK DIAGRAM
 CONTROL PANEL CP-L81

CITY DRAWING NUMBER: 1-0130L-A0007
 SHEET: 001
 REV.: 00
 SIZE: A1