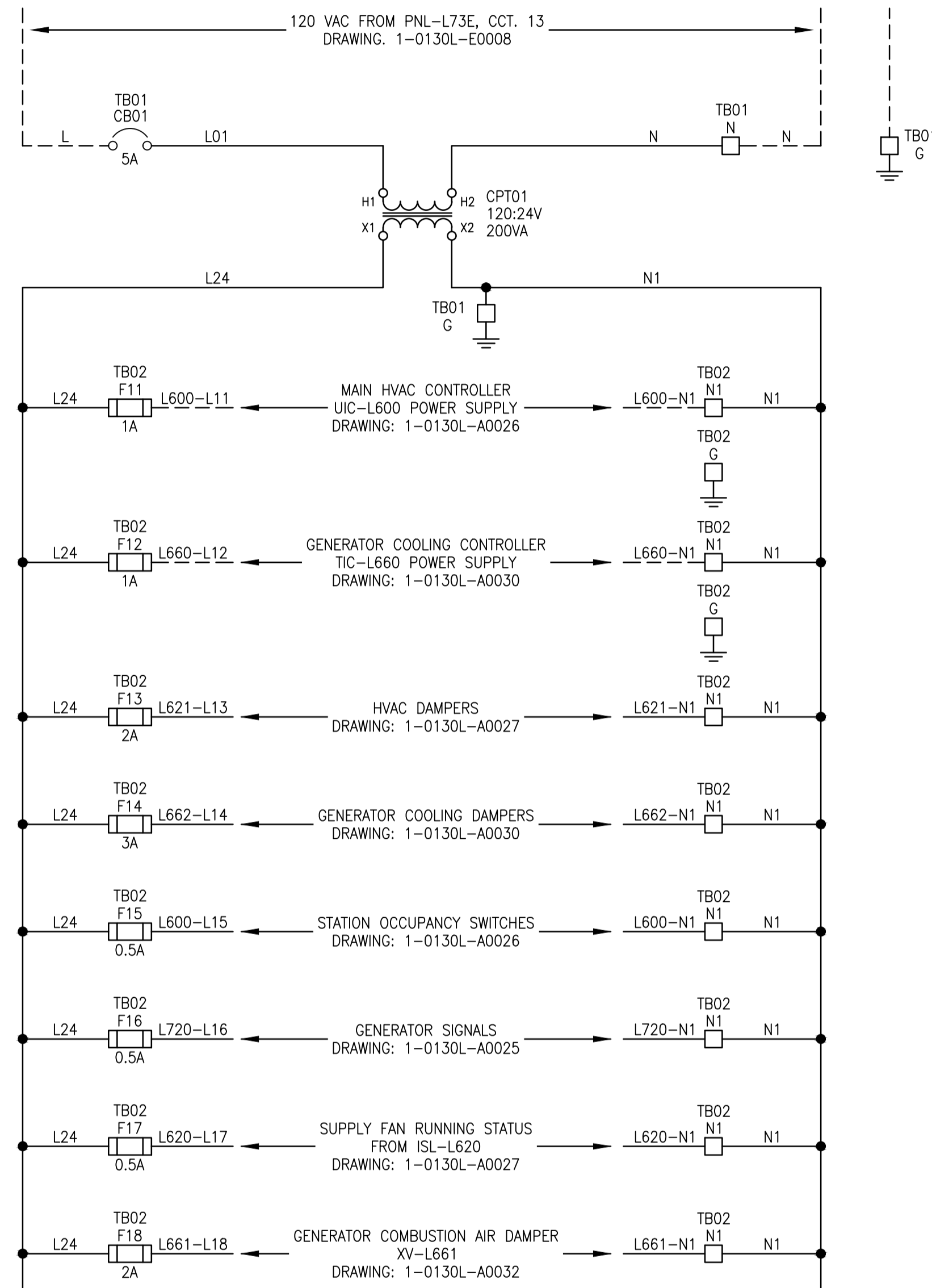


SCHEMATIC:



NOTES

1. ALL 120VAC POWER WIRING TO BE A MINIMUM OF 12 AWG UNLESS OTHERWISE INDICATED.
2. ALL 24VDC POWER WIRING TO BE A MINIMUM OF 14 AWG UNLESS OTHERWISE INDICATED.



NO.	REVISIONS	DATE	DESIGN	CHECK
00	ISSUED FOR TENDER, BID OPP. 639-2017	2017-07-25	TMC	BJC

		SNC-LAVALIN INC. 148 Nature Park Way Winnipeg, MB, Canada R3P 0X7 204-786-8080	
DESIGNED BY:	T. CHURCH	CHECKED BY:	B. CLEVEN
DRAWN BY:	Y. KONIG	APPROVED BY:	B. CLEVEN
SCALE:	NTS	ISSUED FOR CONSTRUCTION BY:	
DATE:	2017/05/31	DATE:	
CONSULTANT NO.:			

ENGINEER'S SEAL

PRELIMINARY
NOT TO BE
USED FOR
CONSTRUCTION

THE CITY OF WINNIPEG
WATER AND WASTE DEPARTMENT

COMMUNITY ROW WASTEWATER PUMPING STATION
2017 UPGRADES
POWER DISTRIBUTION
VENTILATION PANEL JBA-L86

CITY DRAWING NUMBER	SHEET	REV.	SIZE
1-0130L-A0009	001	00	A1

DRAWING NUMBER	REFERENCE DRAWINGS
----------------	--------------------