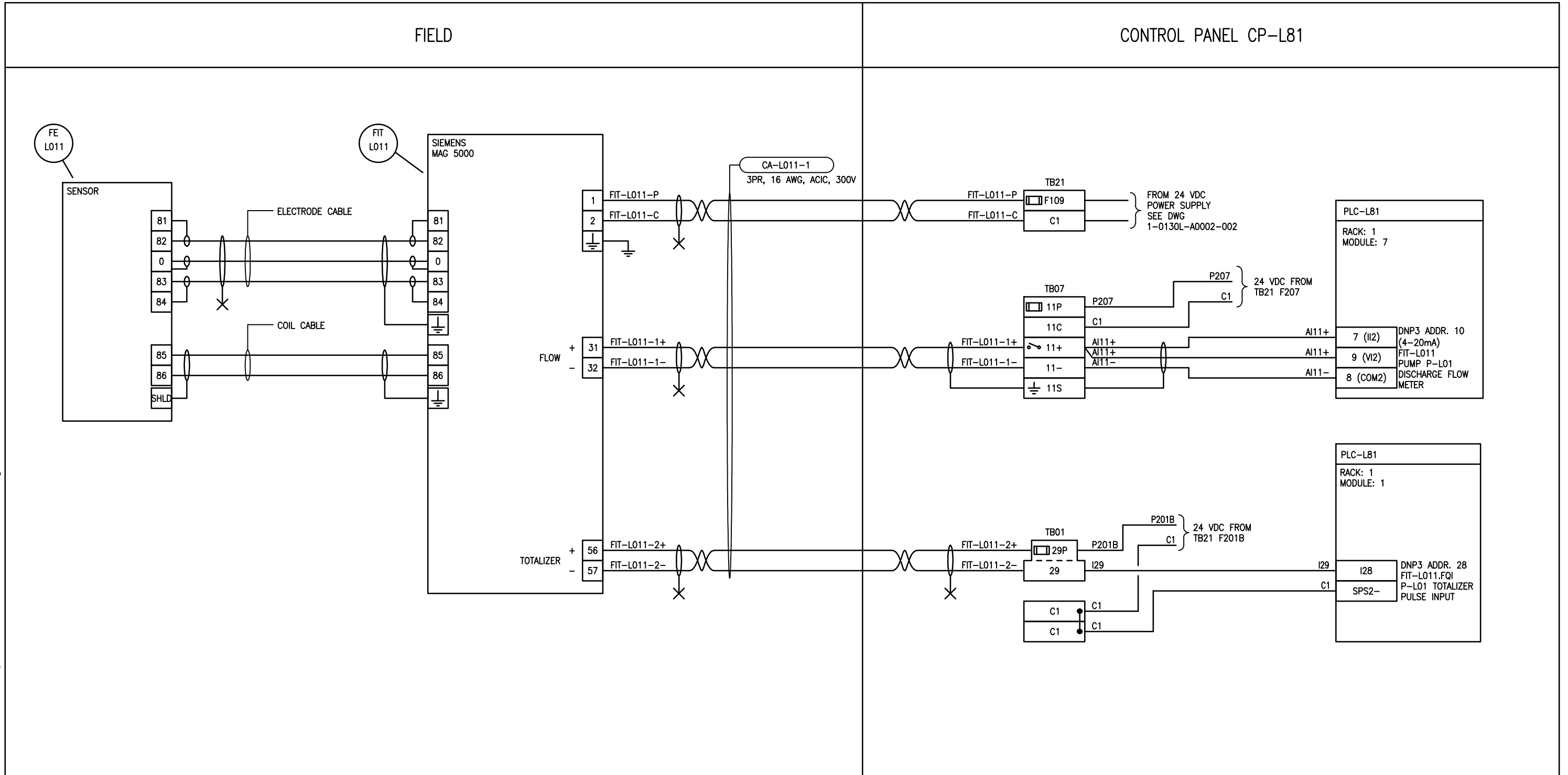


B SIZE - 279mm x 432mm

LAST SAVE: 2017/07/26 - 2:23pm
 PATH: M:\644548\4ENG\48C\DD - General DWG\1-0130L-A0020-001-00.dwg



SNC-LAVALIN INC.
 148 Nature Park Way
 Winnipeg, MB, Canada R3P 0X7
 204-786-8080

ENGINEER'S SEAL

PRELIMINARY
 NOT TO BE
 USED FOR
 CONSTRUCTION



THE CITY OF WINNIPEG
 WATER AND WASTE DEPARTMENT

COMMUNITY ROW WASTEWATER PUMPING STATION
 2017 UPGRADES
 LOOP DIAGRAM
 PUMP P-L01 FLOW TRANSMITTER
 FIT-L011

DESIGNED BY:	T. CHURCH	CHECKED BY:	B. CLEVEN
DRAWN BY:	Y. KONIG	APPROVED BY:	B. CLEVEN
SCALE:	NTS	DATE:	2017/02/01
ISSUED FOR CONSTRUCTION	DATE:		
BY:	DATE:		
CONSULTANT NO.:			

00	ISSUED FOR TENDER, BID OPP. 639-2017	2017-07-25	TMC	BJC
NO.	REVISIONS	DATE	DESIGN	CHECK

CITY DRAWING NUMBER	SHEET	REV.	SIZE
1-0130L-A0020	001	00	B