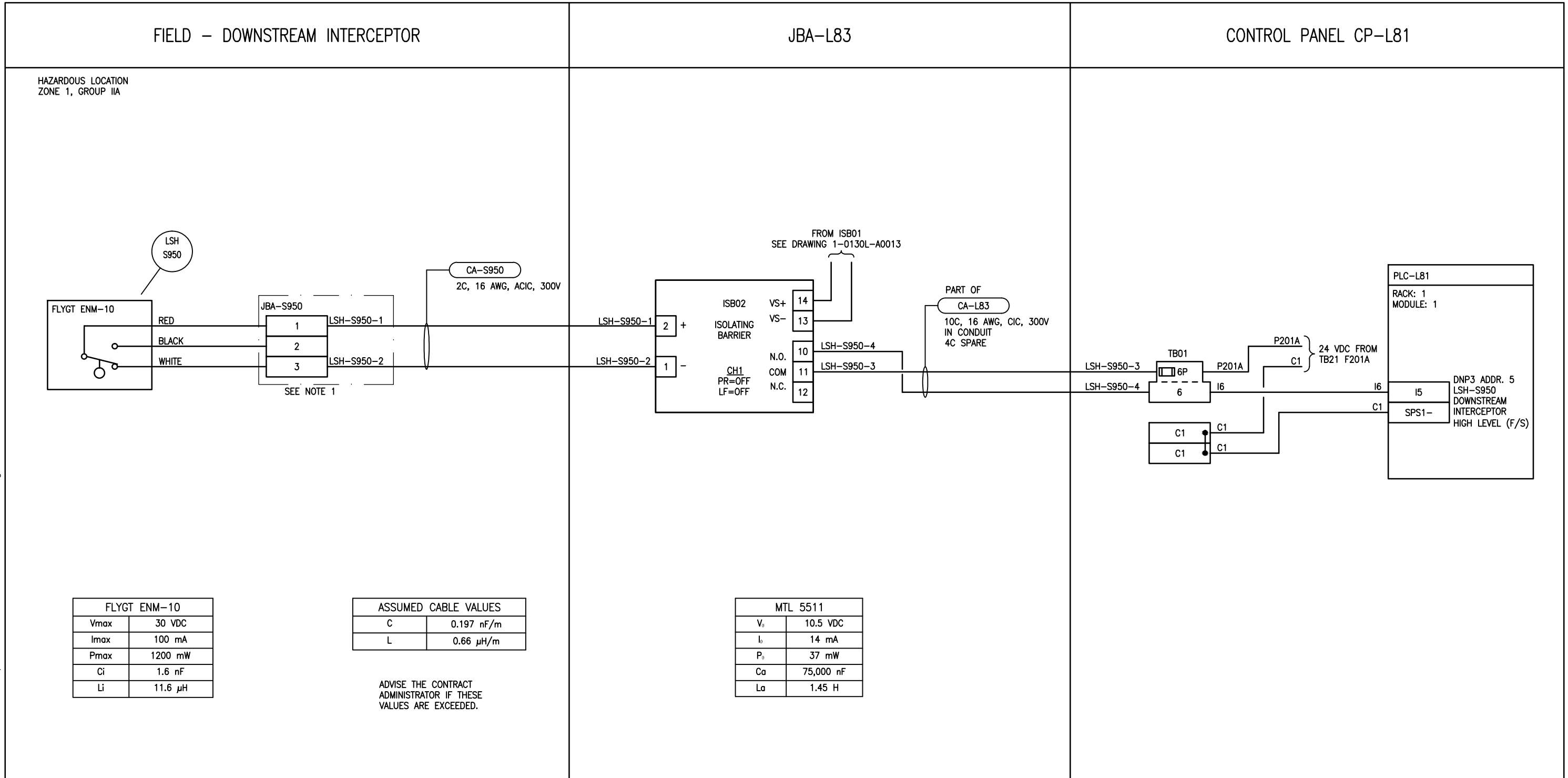


B SIZE - 279mm x 432mm

LAST SAVE: 2017/07/26 - 2:25pm  
 PATH: M:\644548\4ENG\48C\DD - General DWG\1-0130L-A0024-001-00.dwg



FLYGT ENM-10	
V <sub>max</sub>	30 VDC
I <sub>max</sub>	100 mA
P <sub>max</sub>	1200 mW
C <sub>i</sub>	1.6 nF
L <sub>i</sub>	11.6 μH

ASSUMED CABLE VALUES	
C	0.197 nF/m
L	0.66 μH/m

ADVISE THE CONTRACT ADMINISTRATOR IF THESE VALUES ARE EXCEEDED.

MTL 5511	
V <sub>o</sub>	10.5 VDC
I <sub>o</sub>	14 mA
P <sub>o</sub>	37 mW
C <sub>a</sub>	75,000 nF
L <sub>a</sub>	1.45 H

**NOTES**

- PROVIDE AND INSTALL NEW NEMA TYPE 4X JUNCTION BOX WITH TERMINALS AND IDENTIFICATION LAMACOID.



**SNC-LAVALIN INC.**  
 148 Nature Park Way  
 Winnipeg, MB, Canada R3P 0X7  
 204-786-8080

ENGINEER'S SEAL

DESIGNED BY: T. CHURCH	CHECKED BY: B. CLEVEN
DRAWN BY: Y. KONIG	APPROVED BY: B. CLEVEN
SCALE: NTS	DATE: 2017/02/01
ISSUED FOR CONSTRUCTION DATE:	
CONSULTANT NO.:	

**PRELIMINARY**  
 NOT TO BE  
 USED FOR  
 CONSTRUCTION



COMMUNITY ROW WASTEWATER PUMPING STATION  
 2017 UPGRADES  
 LOOP DIAGRAM  
 DOWNSTREAM INTERCEPTOR HIGH LEVEL SWITCH  
 LSH-S950

NO.	REVISIONS	DATE	DESIGN	CHECK
00	ISSUED FOR TENDER, BID OPP. 639-2017	2017-07-25	TMC	BJC

CITY DRAWING NUMBER	SHEET	REV.	SIZE
1-0130L-A0024	001	00	B