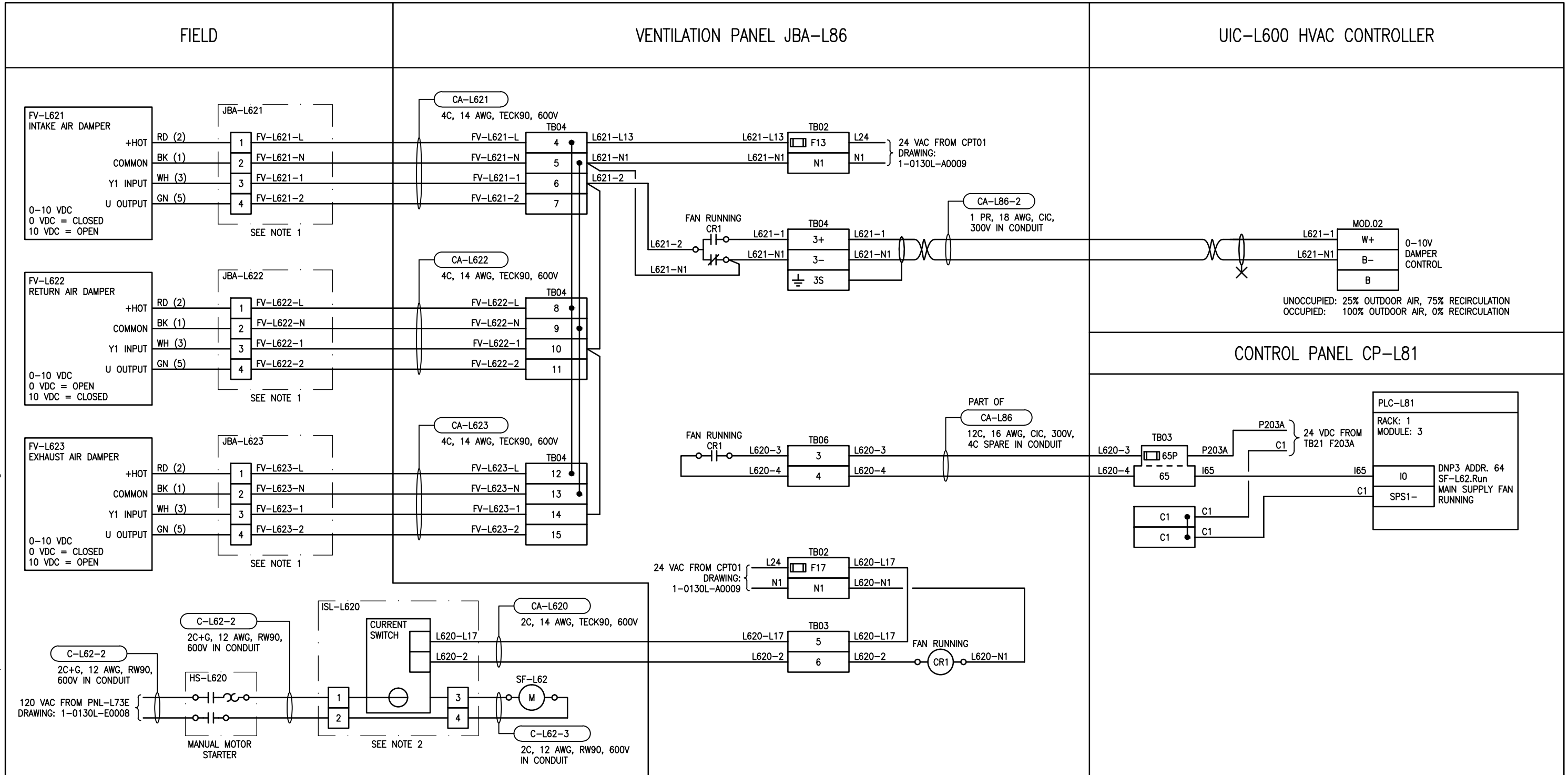


B SIZE - 279mm x 432mm

General DWG\1-0130L-A0027-001-00.dwg

LAST SAVE: 2017/07/26 - 2:26pm
 PATH: M:\644548\4ENG\48C\DD -



NOTES

- PROVIDE AND INSTALL NEW NEMA TYPE 4 JUNCTION BOX, COMPLETE WITH TERMINALS AND IDENTIFICATION LAMACOID.
- PROVIDE AND INSTALL NEW NEMA TYPE 4 JUNCTION BOX, COMPLETE WITH TERMINALS, EATON ECSNOASC CURRENT SWITCH, AND IDENTIFICATION LAMACOID.



SNC-LAVALIN INC.
 148 Nature Park Way
 Winnipeg, MB, Canada R3P 0X7
 204-786-8080

NO.	REVISIONS	DATE	DESIGN	CHECK
00	ISSUED FOR TENDER, BID OPP. 639-2017	2017-07-25	TMC	BJC

DESIGNED BY: B. CLEVEN	CHECKED BY: B. CLEVEN
DRAWN BY: Y. KONIG	APPROVED BY: B. CLEVEN
SCALE: NTS	DATE: 2017/02/01
ISSUED FOR CONSTRUCTION DATE:	
BY:	
CONSULTANT NO.:	

ENGINEER'S SEAL

PRELIMINARY
 NOT TO BE
 USED FOR
 CONSTRUCTION

THE CITY OF WINNIPEG
 WATER AND WASTE DEPARTMENT

COMMUNITY ROW WASTEWATER PUMPING STATION
 2017 UPGRADES
 LOOP DIAGRAM
 HVAC DAMPERS AND SUPPLY FAN
 FV-L621, FV-L622, FV-L623, SF-L62

CITY DRAWING NUMBER 1-0130L-A0027	SHEET 001	REV. 00	SIZE B
--------------------------------------	--------------	------------	-----------