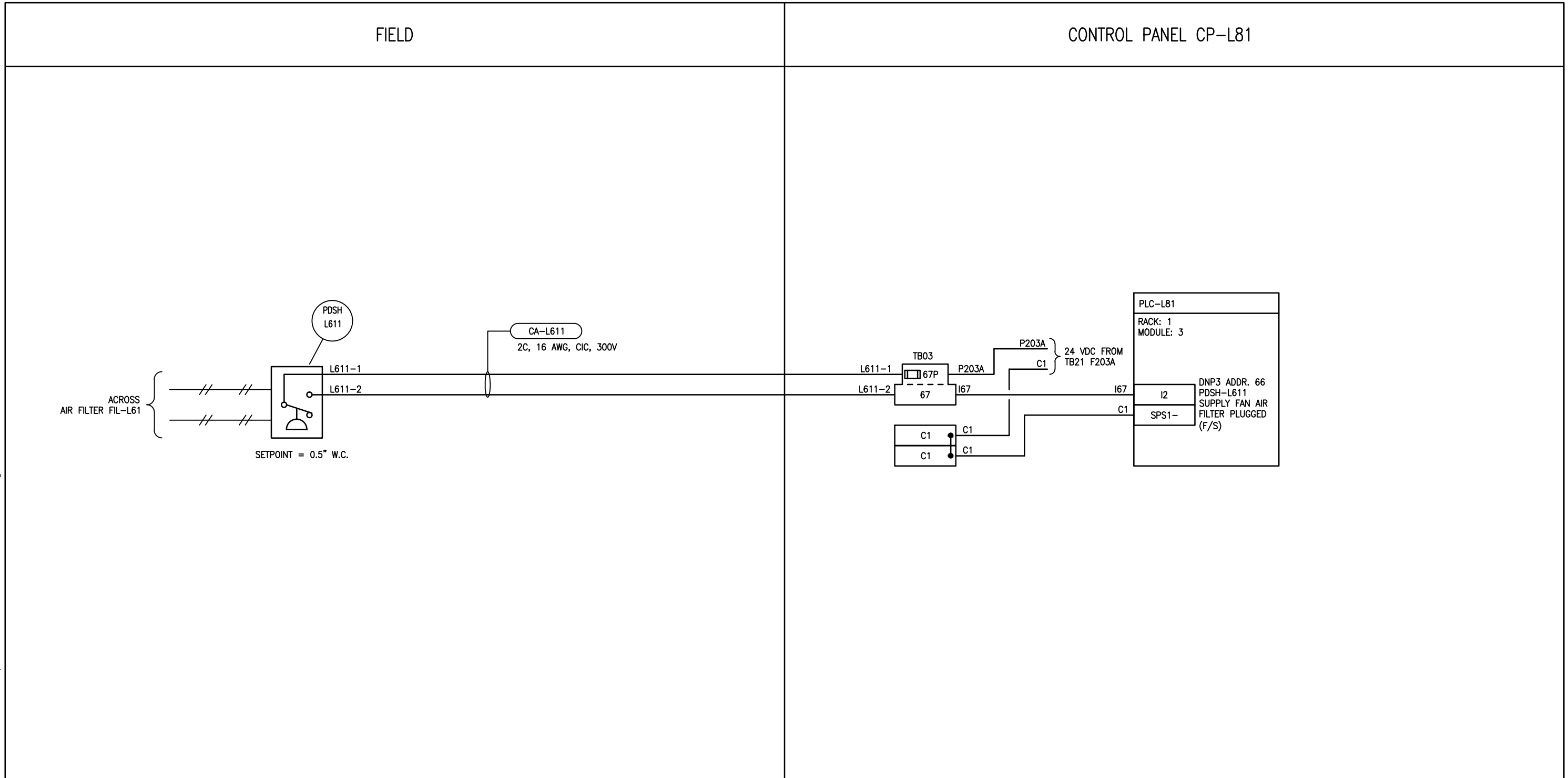



B SIZE - 279mm x 432mm

LAST SAVE: 2017/07/26 - 2:29pm  
 PATH: M:\644548\4ENG\48C\DD - General DWG\1-0130L-A0034-001-00.dwg




**NOTES**

1. PRESSURE SWITCH CONTACT TO BE OPEN WHEN FILTER IS NOT PLUGGED AND CLOSED WHEN FILTER IS PLUGGED.



SNC-Lavalin Inc.  
No. 4489

				
NO.	REVISIONS	DATE	DESIGN	CHECK
00	ISSUED FOR TENDER, BID OPP. 639-2017	2017-07-25	TMC	BJC


**SNC-LAVALIN INC.**  
 148 Nature Park Way  
 Winnipeg, MB, Canada R3P 0X7  
 204-786-8080

DESIGNED BY: T. CHURCH	CHECKED BY: B. CLEVEN
DRAWN BY: Y. KONIG	APPROVED BY: B. CLEVEN
SCALE: NTS	DATE: 2017/07/07
ISSUED FOR CONSTRUCTION DATE:	
CONSULTANT NO.:	

ENGINEER'S SEAL

**PRELIMINARY**

**NOT TO BE USED FOR CONSTRUCTION**



**THE CITY OF WINNIPEG**  
WATER AND WASTE DEPARTMENT

COMMUNITY ROW WASTEWATER PUMPING STATION  
 2017 UPGRADES  
 LOOP DIAGRAM  
 SUPPLY FAN AIR FILTER PLUGGED SWITCH  
 PDSH-L611

CITY DRAWING NUMBER	SHEET	REV.	SIZE
1-0130L-A0034	001	00	B