

A1 SIZE - 594mm x 841mm

2743

LAST SAVE: 2017/07/26 - 1:29pm
 PATH: M:\644548\MENG\425TR\DD - General DWG\1-0130L-B0001.dwg

TYPICAL ROOF CONSTRUCTION
 STANDING SEAM METAL ROOF SYSTEM
 IKO ARMOURGUARD MEMBRANE
 13 PLYWOOD DECKING
 PREFABRICATED ENGINEERED ROOF TRUSS
 R20 BATT INSULATION
 6 MIL POLY VAPOUR BARRIER
 19 PLYWOOD PAINTED PT-2

ROOF TRUSS SIZED BY TRUSS MANUFACTURER
 38x184 WOOD TOP PLATE FASTEN TO CONCRETE WITH 13 DIA. x 171 WEDGE ANCHOR BOLTS AT 600 O/C
 CELL CLOSURE
 GALV. METAL FLASHING
 16 GA. GALV. EAVES TROUGH, SLOPE TO RWL

PREFINISHED METAL FASCIA
 PREFINISHED VENTED METAL SOFFIT C/W CONT. PERIMETER TRIM VENT SOFFIT AS PER SPECIFICATIONS TYP.

TYPICAL EXTERIOR WALL CONSTRUCTION
 89 FACE BRICK
 28 AIR SPACE
 51 THICK STYROFOAM CAVITYMATE AIR/VAPOUR BARRIER
 203 REINF. CONCRETE WALL
 19x89 WOOD STRAPPING @ 400 O/C
 19 PLYWOOD PRIMED & PAINTED PT-1

FABRIKEM FABRISHEILD PAINT REPELLANT PR-61 ON ALL EXTERIOR BRICK VENEER
 CONCRETE WALL REINFORCING AS PER REINFORCING STEEL NOTES AND DRAWING 1-0130L-S0006.

HILTI 16# x 152 HOT DIP GALVANIZED KWIK BOLTS 3 EXPANSION ANCHORS SEE DRAWING 1-0130L-S0007 FOR DETAILS
 T.O.C. FLOOR SLAB EL. = 236.845

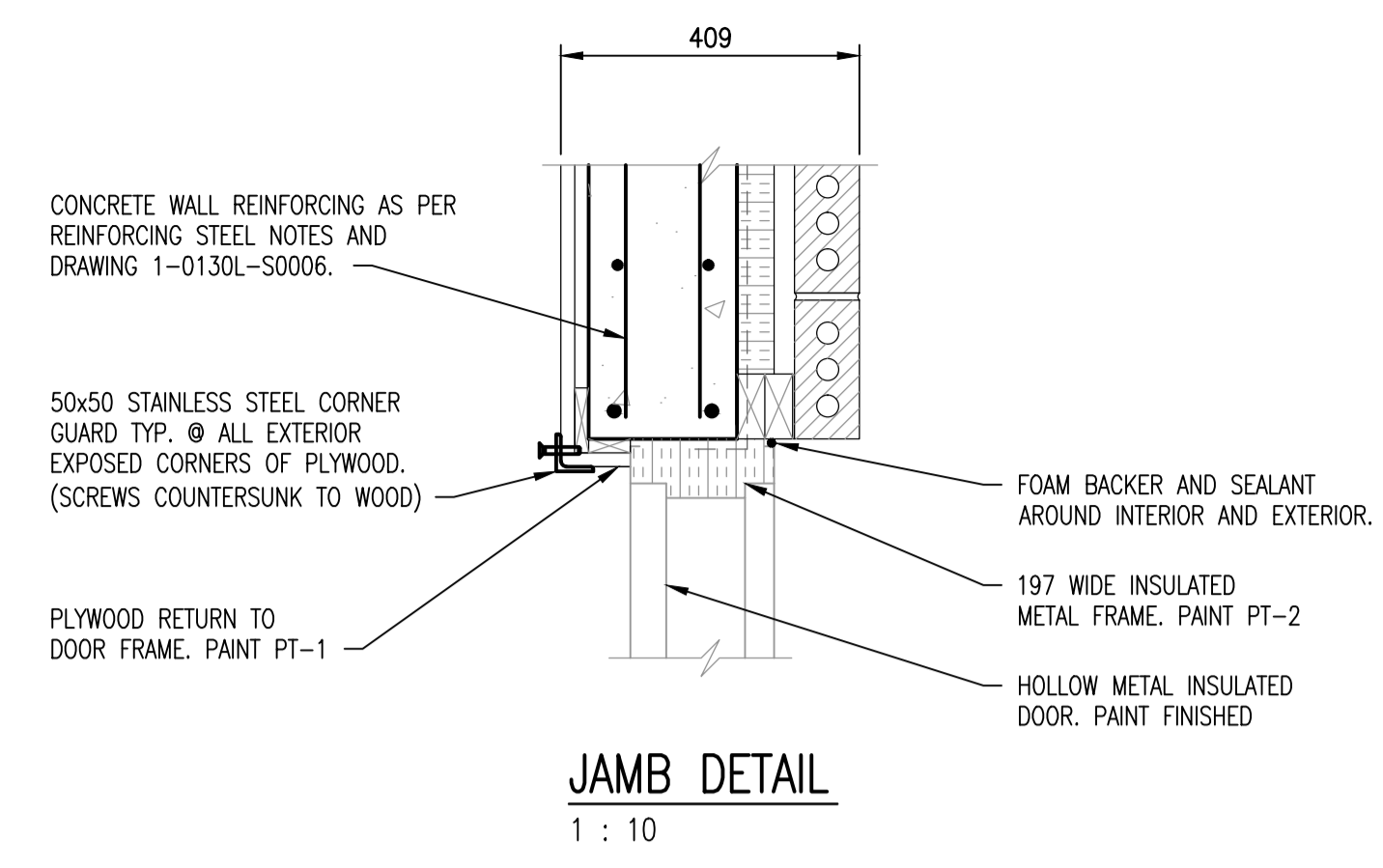
SLAB & GRADE BEAM REINF. OMITTED FOR CLARITY. SEE DRAWINGS 1-0130L-S0003 TO S0005

UNOBSTRUCTED WEEP HOLES @ 600 O/C. PROVIDE MORTAR DROPPING CONTROL.
 MORTAR BED OVER FLASHING AND GALV. DRIP EDGE.

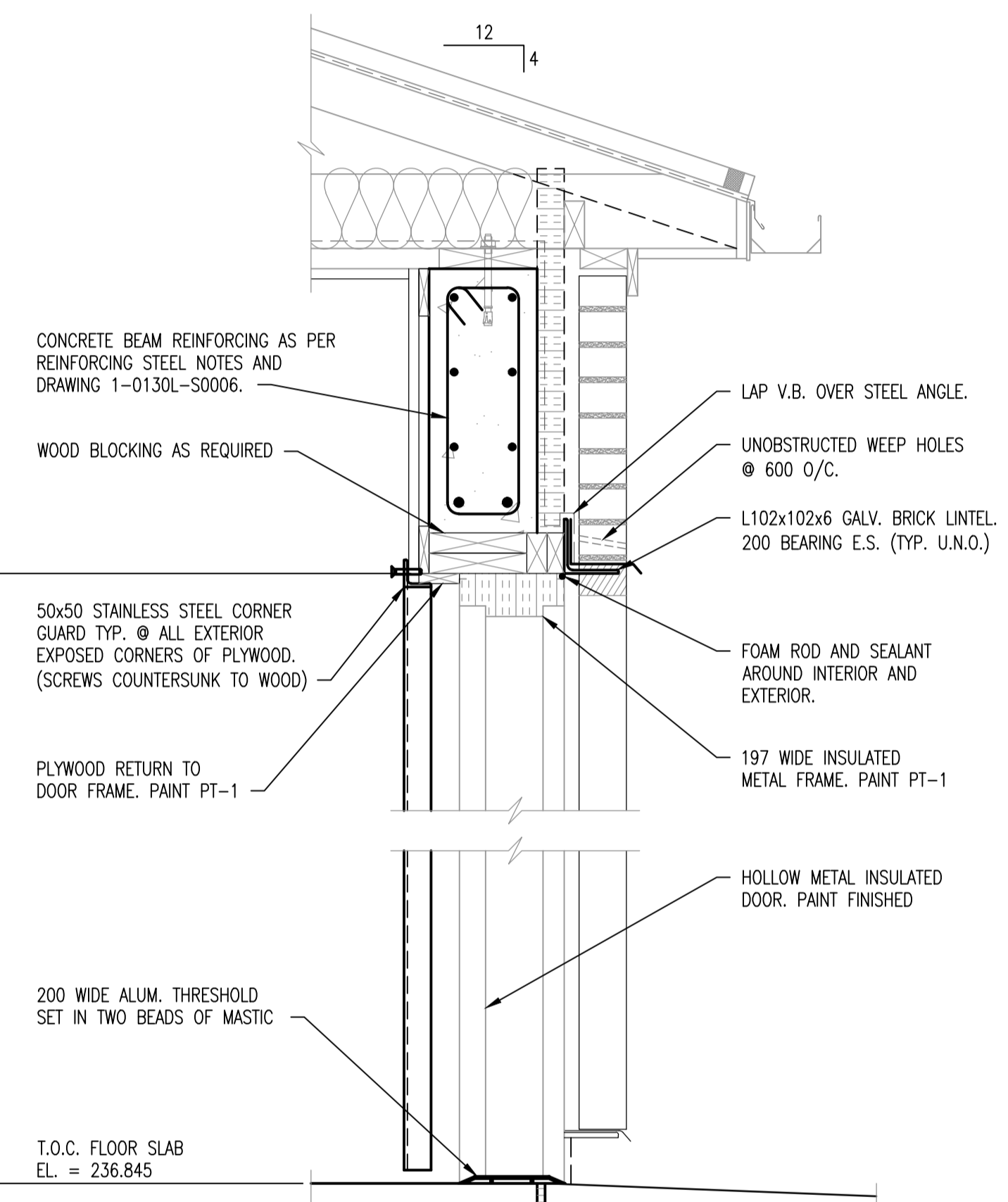
152x152x9.5 GALV. STEEL SHELF ANGLE
 CEMENT PARGING, PAINTED, ON 13 PWF PLYWOOD WITH 51 RIGID INSULATION. FASTEN TO CONCRETE BEAM 16 TAPCON SCREWS PER SHEET

WATERSTOP-CETCO RX-101 25x20MM EXPANDING CONCRETE JOINT ALONG WALL (TYP.)
 10/15M DOWELS x 900 LONG @ 200 O.C. EXTEND 450 INTO CONC. WALL TO MATCH WALL REINF.

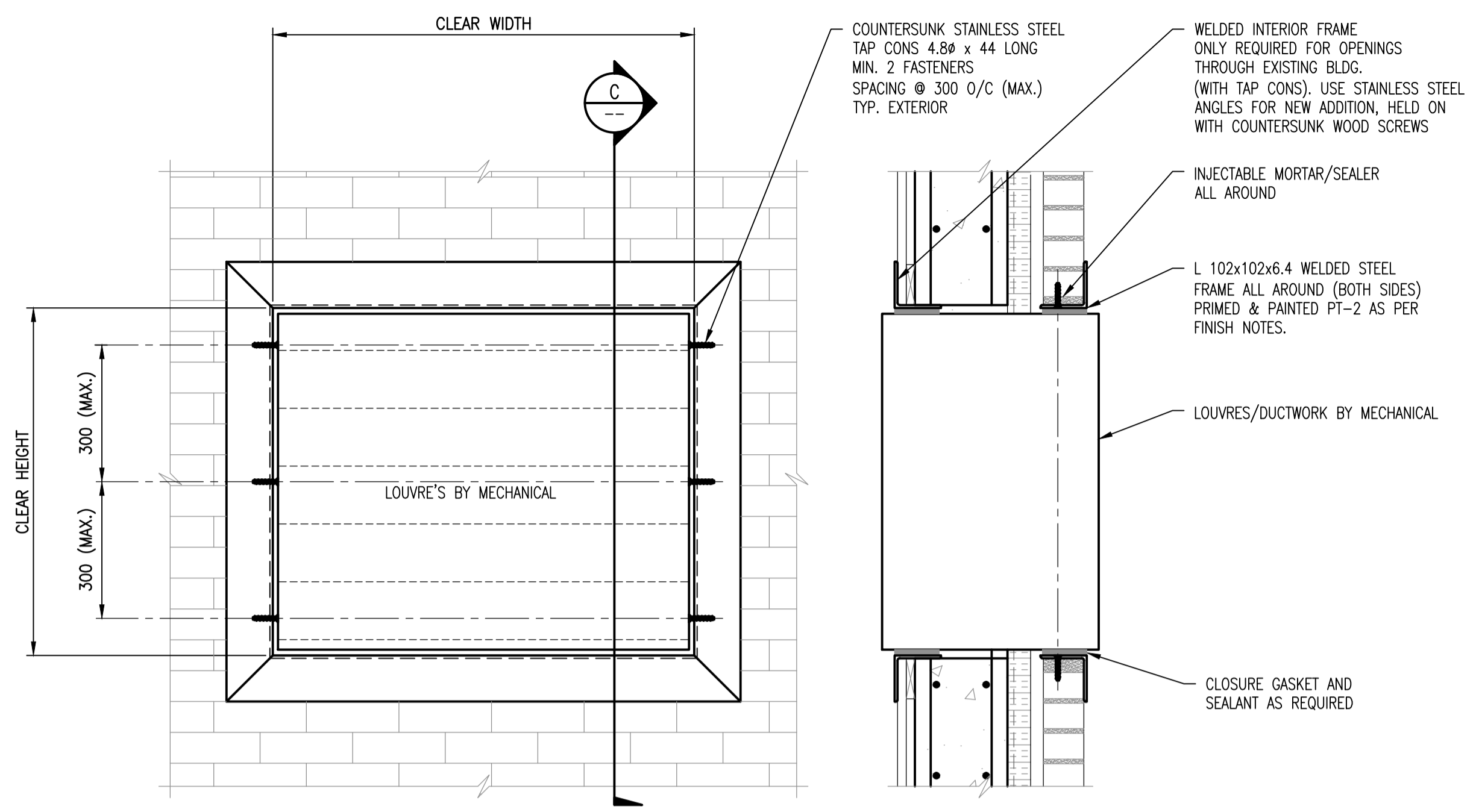
TYPICAL WALL SECTION
 1 : 10



JAMB DETAIL
 1 : 10



DOOR SECTION
 1 : 10



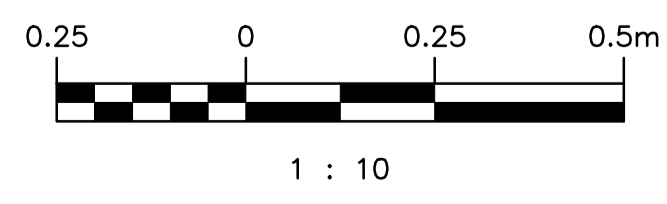
MECHANICAL OPENING DETAIL
 1 : 10

PARTIAL EXTERIOR ELEVATION SHOWN
 INTERIOR ELEVATION SIMILAR

SPECIFIC NOTES:

1. DETERMINE & FORM OPENING IN WALL TO CLEAR OPENING AS SHOWN. REFER TO MECHANICAL DRAWINGS FOR ROUGH OPENING SIZES AND LOCATIONS.
2. USE DRY-PAK TO FILL BLOCK IF NEEDED. (EXISTING BLDG. ONLY)
3. USE INJECTABLE MORTAR TO EMBED/SEAL ANGLE FRAME TO EXTERIOR BRICK.

SECTION C
 1 : 10



1 : 10



DRAWING NUMBER	REFERENCE DRAWINGS
401	CHARLESWOOD INTERCEPTOR SUPERSTRUCTURE DETAILS FOR PUMPING STATION
400B	CHARLESWOOD INTERCEPTOR PUMPING STATION AT COMMUNITY ROW & ROBLIN BLVD.
1-0130L-B0003	PUMPING STATION UPGRADES - PUMPHOUSE - PLAN AND ELEVATIONS
1-0130L-B0002	PUMPING STATION UPGRADES - PUMPHOUSE EXTERIOR - PLAN AND ELEVATIONS
1-0130L-S0002	PUMPING STATION UPGRADES - NOTES SHEET 2
1-0130L-S0001	PUMPING STATION UPGRADES - NOTES SHEET 1

PROJECT SPECIFIC

NO.	REVISIONS	DATE	DESIGN	CHECK
00	ISSUED FOR TENDER, BID OPP. 639-2017	2017-07-25	TD	BJC

SNC-LAVALIN INC. 148 Nature Park Way Winnipeg, MB, Canada R3P 0X7 204-786-8080	
DESIGNED BY: T. DEGER	CHECKED BY: B. CLEVEN
DRAWN BY: B. DICKSON	APPROVED BY: B. CLEVEN
SCALE: 1:10	ISSUED FOR CONSTRUCTION
DATE: 2017-07-06	DATE:
CONSULTANT NO.:	

ENGINEER'S SEAL
PRELIMINARY
 NOT TO BE
 USED FOR
 CONSTRUCTION

THE CITY OF WINNIPEG WATER AND WASTE DEPARTMENT	
COMMUNITY ROW WASTEWATER PUMPING STATION 2017 UPGRADES SECTIONS AND DETAILS	
CITY DRAWING NUMBER 1-0130L-B0004	SHEET REV. SIZE 001 00 A1