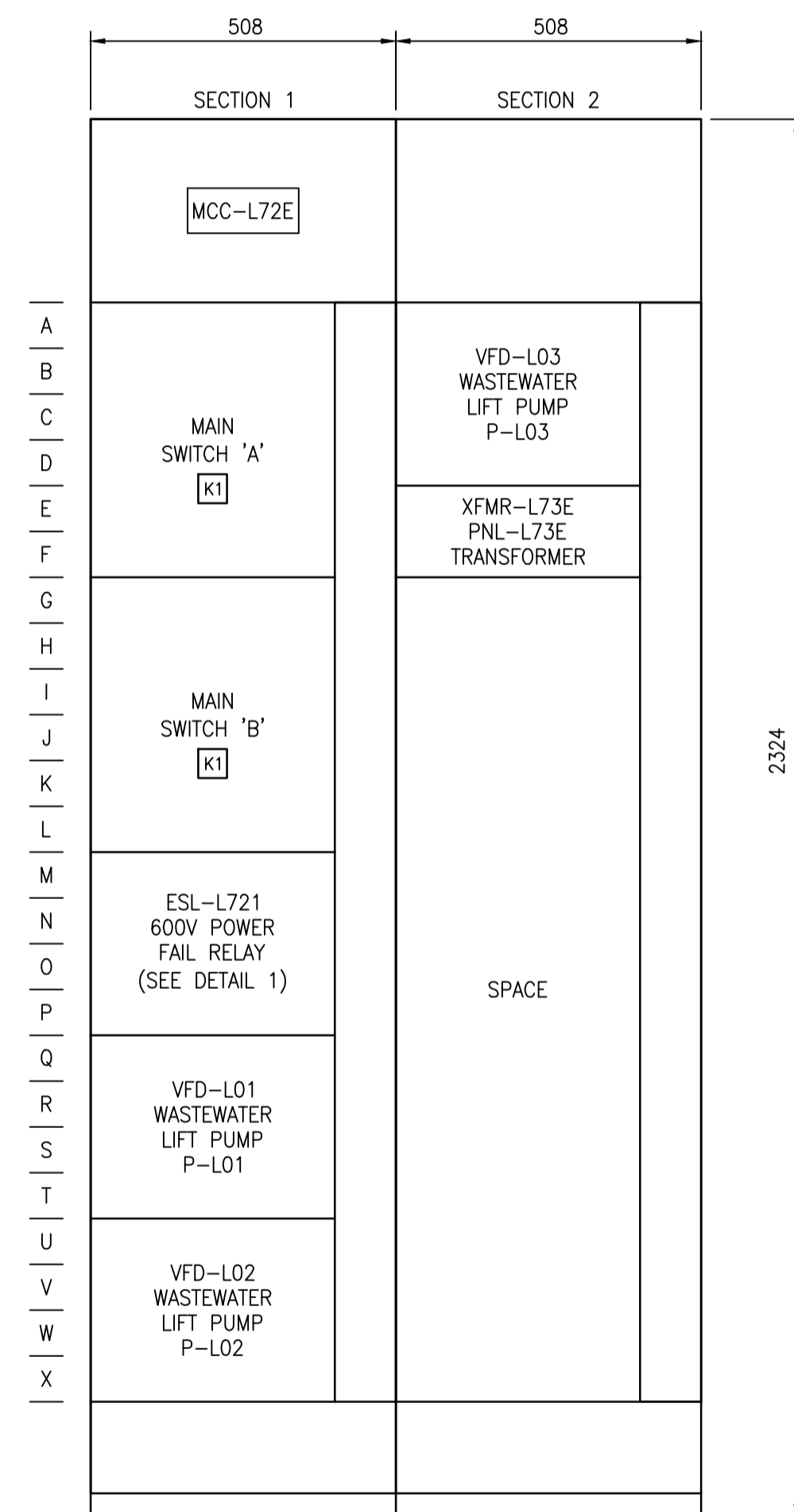
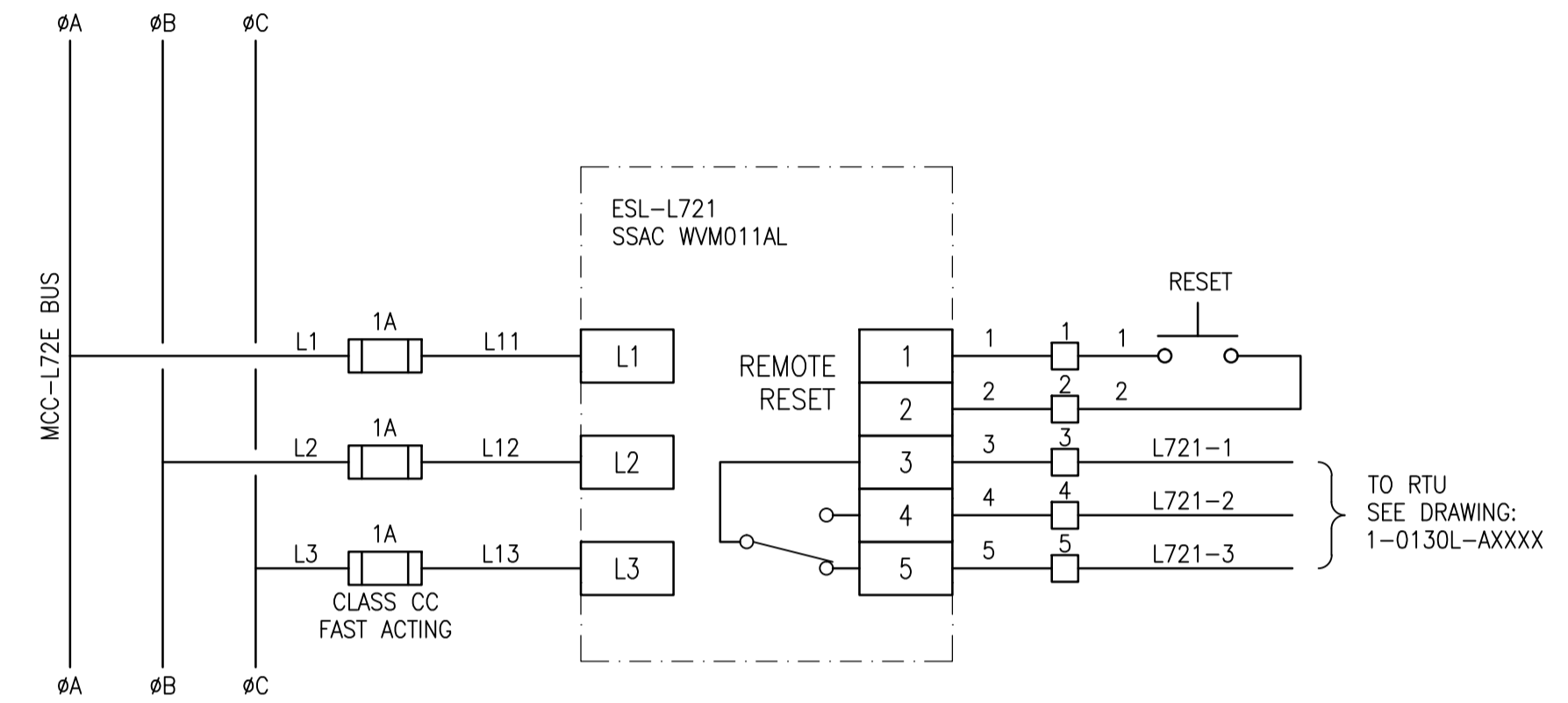


MCC-L72E REQUIREMENTS:

IDENTIFIER: MCC-L72E		
ENCLOSURE TYPE: NEMA 1A	MOUNTING: FRONT	DEPTH: 508mm
SUPPLY VOLTAGE: 600V, 3 ϕ , 3W, 60HZ		INCOMING NEUTRAL TERMINATION: NO
CONTROL VOLTAGE: 120V, 60HZ	WIRING: CLASS I, TYPE B ϕ OR B τ AS SHOWN ON THE DRAWINGS	
MINIMUM BUS RATING:	HORIZONTAL: 600A	VERTICAL: AS REQ'D
SUITABLE FOR SERVICE ENTRANCE: NO		NEUTRAL BUS: NO
BUS BRACING: 42kA	SCCR: 25 kA	SERIES SCCR PERMITTED: NO
BUS MATERIAL: TIN PLATED COPPER		
MANUFACTURER: SCHNEIDER ELECTRIC	MODEL: MODEL 6	



MCC-L72E ELEVATION
 SCALE: 1:10



DETAIL 1: MCC-L72E 600V POWER FAILURE RELAY
 SCALE: NTS

1-0130L-E0002	SINGLE LINE DIAGRAM
DRAWING NUMBER	REFERENCE DRAWINGS



00	ISSUED FOR TENDER, BID OPP: 639-2017	2017-07-25	BJC	TMC
NO.	REVISIONS	DATE	DESIGN	CHECK

SNC-LAVALIN INC. 148 Nature Park Way Winnipeg, MB, Canada R3P 0X7 204-798-8080	
DESIGNED BY: B. CLEVEN	CHECKED BY: T. CHURCH
DRAWN BY: Y. KONIG	APPROVED BY: B. CLEVEN
SCALE: AS SHOWN	ISSUED FOR CONSTRUCTION BY: DATE:
DATE: 2017/02/06	DATE:
CONSULTANT NO.:	

ENGINEER'S SEAL
PRELIMINARY
 NOT TO BE
 USED FOR
 CONSTRUCTION

THE CITY OF WINNIPEG WATER AND WASTE DEPARTMENT	
COMMUNITY ROW WASTEWATER PUMPING STATION 2017 UPGRADES MCC ELEVATION AND DETAILS MCC-L72E	
CITY DRAWING NUMBER 1-0130L-E0009	SHEET REV. SIZE 001 00 A1