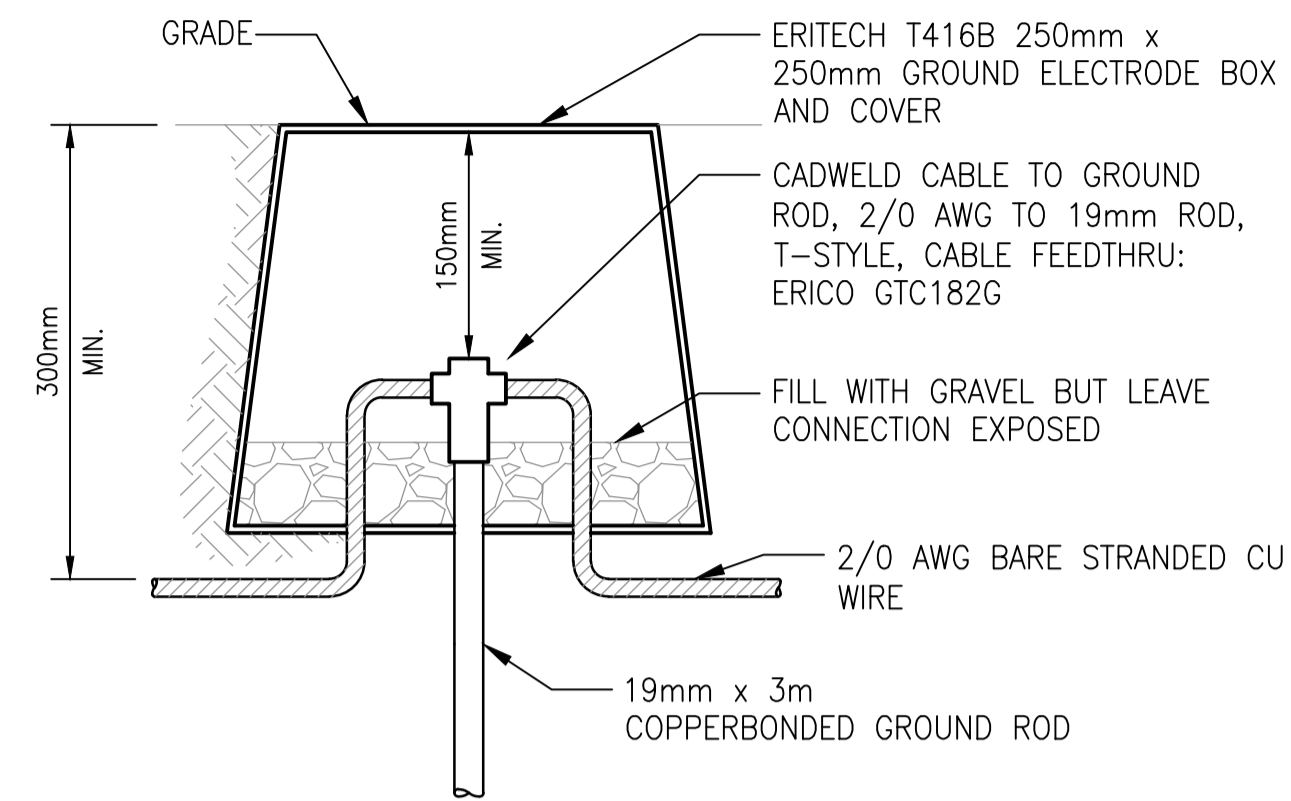
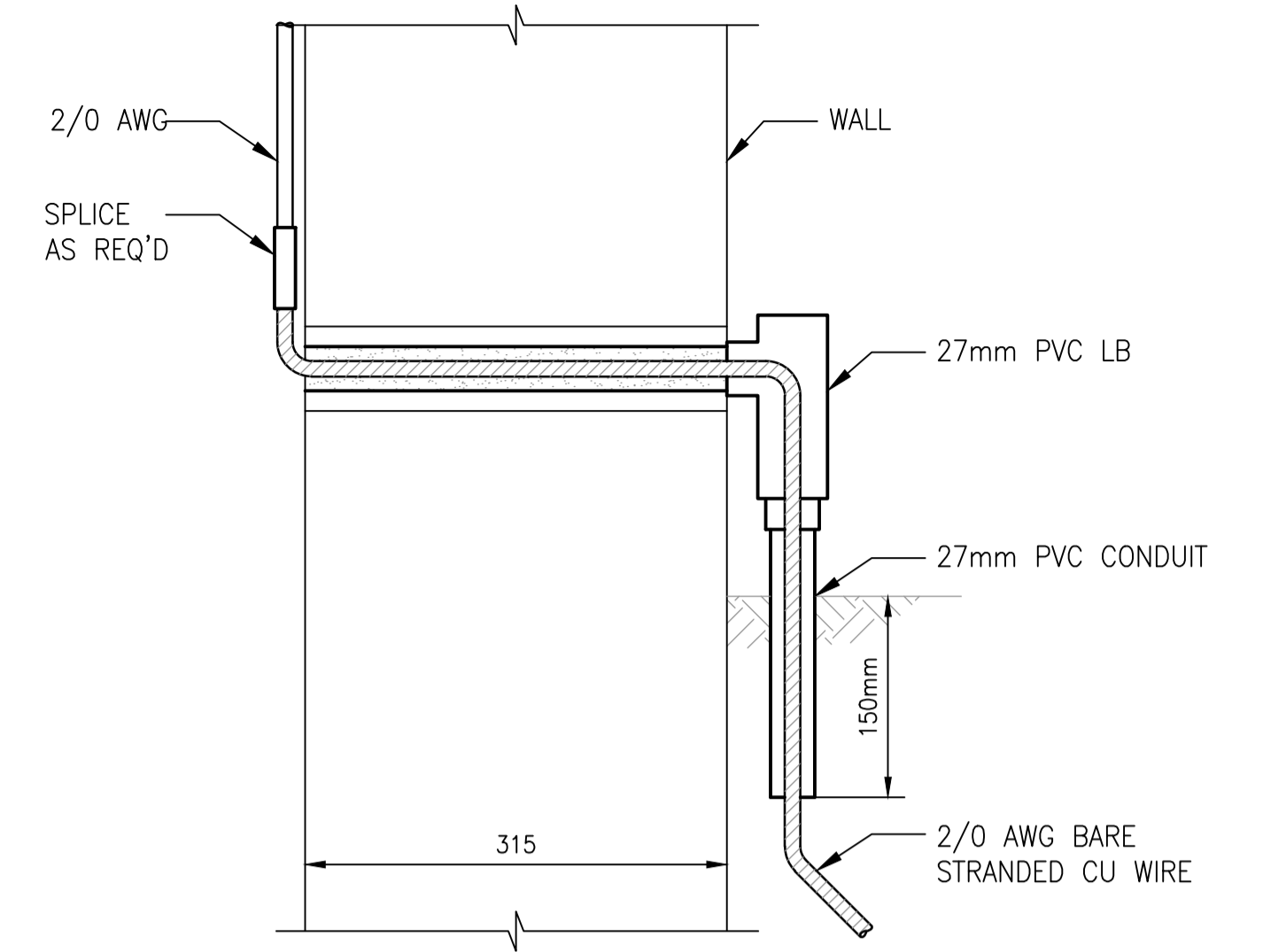


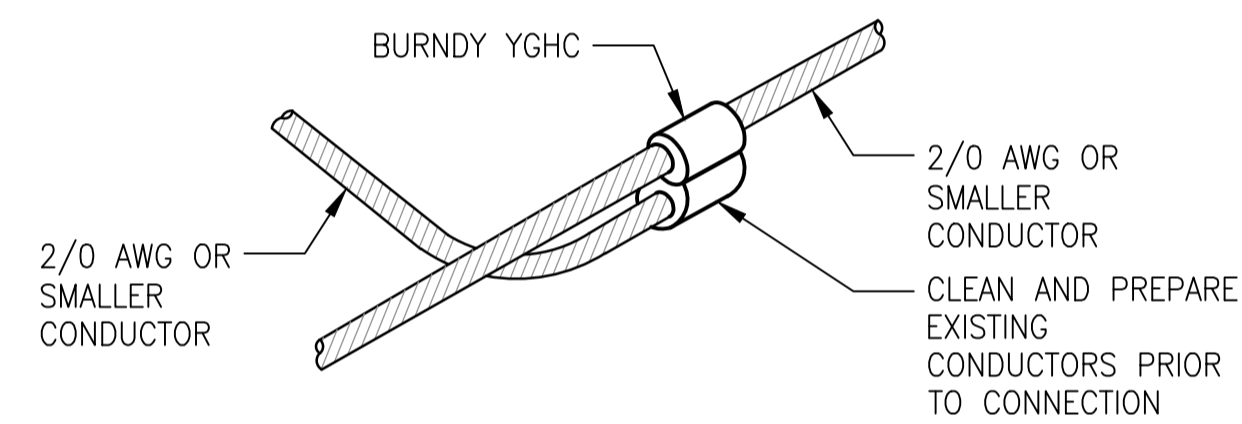
LOW VOLTAGE EQUIPMENT GROUNDING
SCALE: NTS



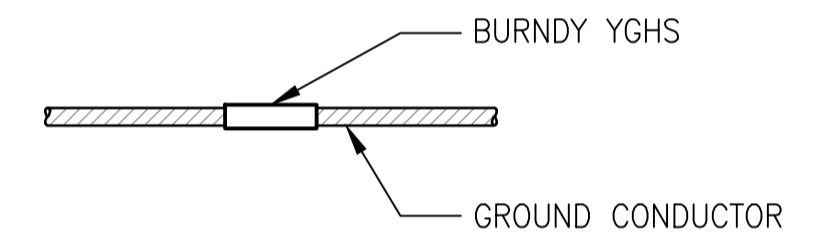
A GROUND ROD WITH GROUND WELL
NTS



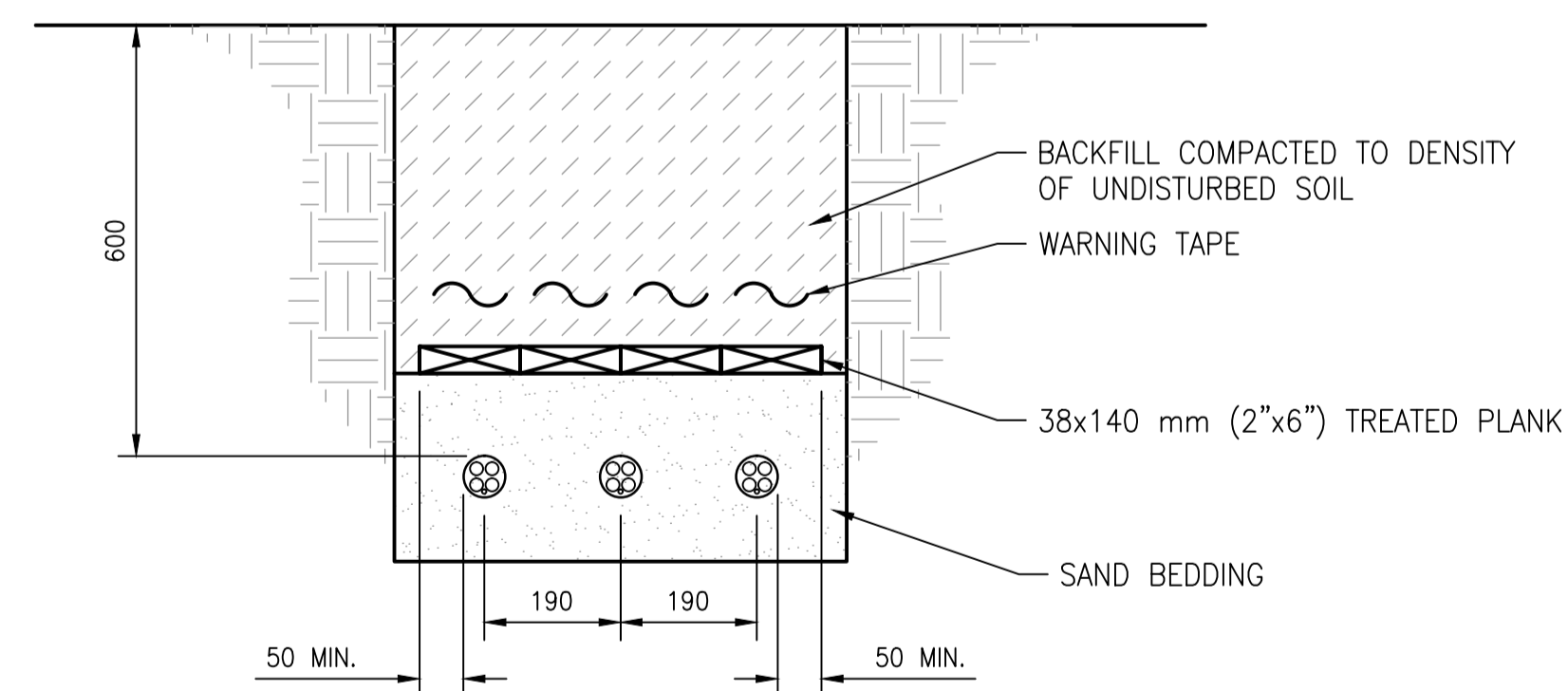
B BUILDING ENTRY ABOVE GRADE
NTS



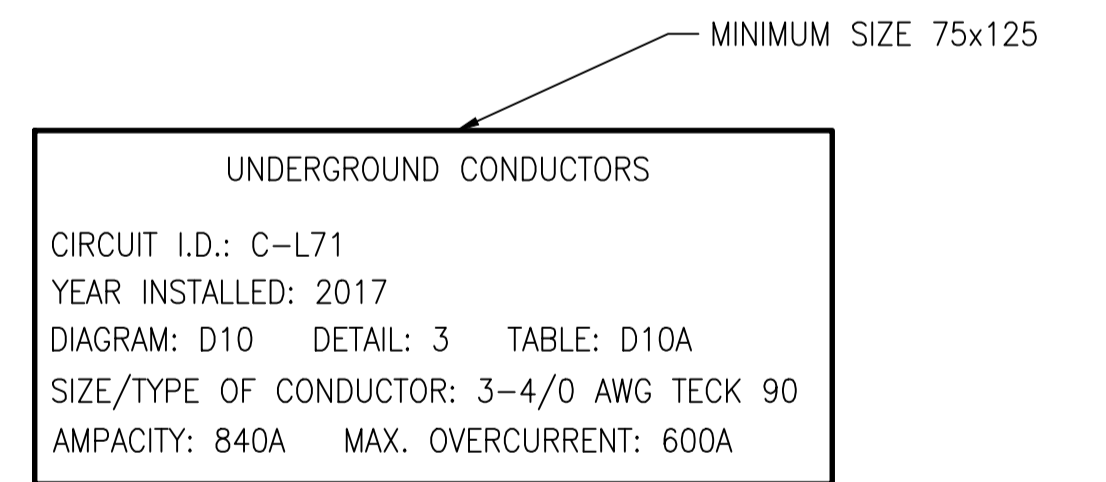
C GROUND CONDUCTOR SPLICE
NTS



D GROUND CONDUCTOR TEE
NTS



E CABLE C-L71 TRENCH DETAIL
SCALE: 1 : 10



F CABLE C-L71 LAMACOID
NTS

GENERAL NOTES:

- PUMP MOTORS ARE EACH BONDED VIA 3 BONDING CONDUCTORS IN THE VFD CABLES.



NO.	REVISIONS	DATE	DESIGN	CHECK
00	ISSUED FOR TENDER, BID OPP. 639-2017	2017-07-25	BJC	TMC

 SNC-LAVALIN INC. 148 Nature Park Way Winnipeg, MB, Canada R3P 0X7 204-786-8080	
DESIGNED BY: B. CLEVEN	CHECKED BY: T. CHURCH
DRAWN BY: M.J. PERSSON	APPROVED BY: B. CLEVEN
SCALE: NTS	ISSUED FOR CONSTRUCTION BY: DATE:
DATE: 2017/05/04	DATE:
CONSULTANT NO.:	

ENGINEER'S SEAL
PRELIMINARY
NOT TO BE
USED FOR
CONSTRUCTION

THE CITY OF WINNIPEG
 WATER AND WASTE DEPARTMENT

COMMUNITY ROW WASTEWATER PUMPING STATION
 2017 UPGRADES
 ELECTRICAL DETAILS

CITY DRAWING NUMBER 1-0130L-E0010	SHEET 001	REV. 00	SIZE A1
--------------------------------------	--------------	------------	------------