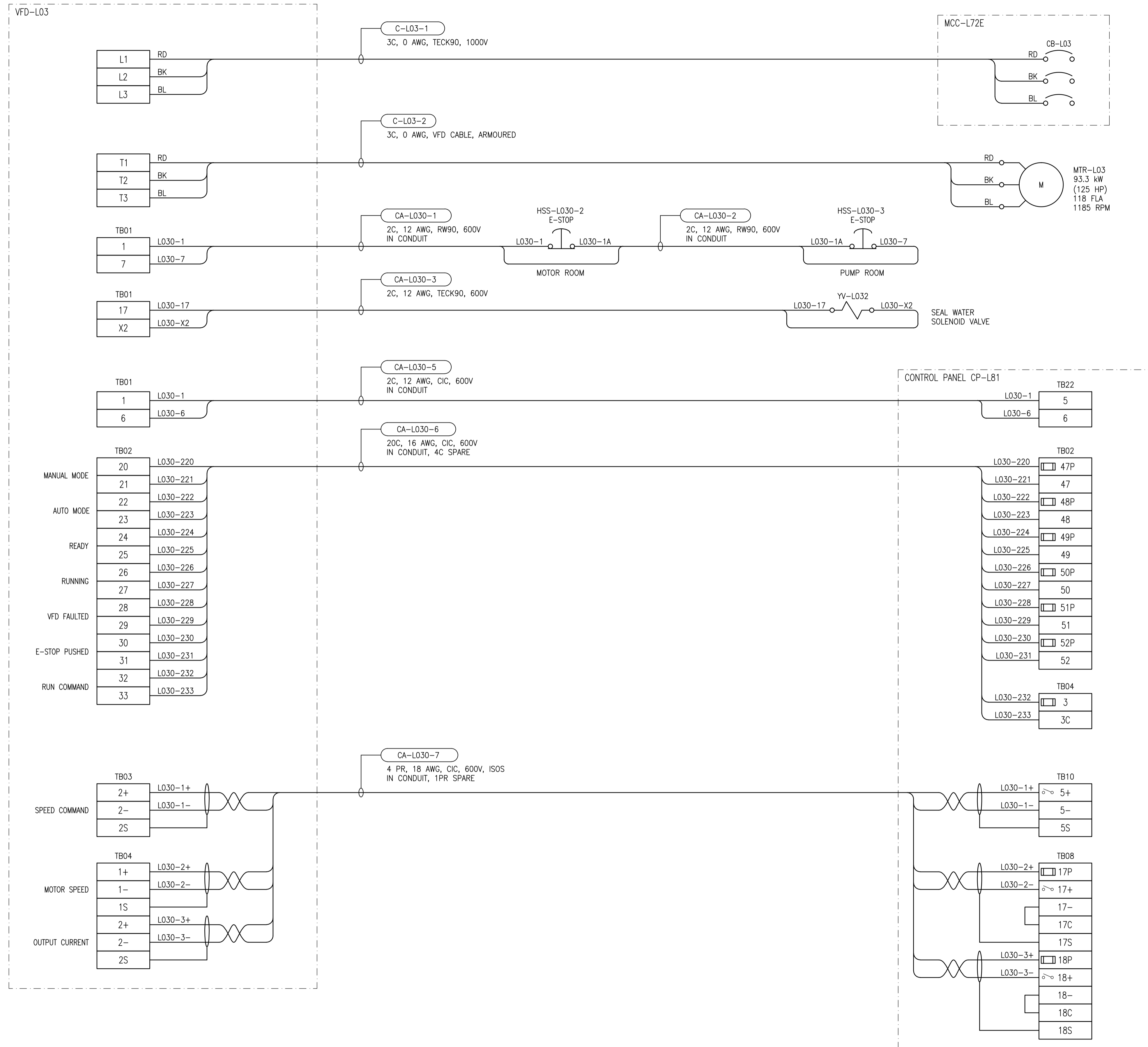


LAST SAVE: 2017/07/26 - 11:18am  
 PATH: M:\644548\MENG\7FELE\DD - General DWG\1-0130L-E0016-001-00.dwg  
 A1 SIZE - 594mm x 841mm



1-0130L-E0015	MOTOR STARTER SCHEMATIC
REFERENCE DRAWINGS	DESCRIPTION



NO.	REVISIONS	DATE	DESIGN	CHECK
00	ISSUED FOR TENDER, BID OPP. 639-2017	2017-07-25	BJC	TMC

**SNC-LAVALIN INC.**  
 148 Nature Park Way  
 Winnipeg, MB, Canada R3P 0X7  
 204-786-8080

DESIGNED BY: B. CLEVEN  
 DRAWN BY: S. BOGHOSIAN  
 SCALE: NTS  
 DATE: 2017/03/15  
 CONSULTANT NO.:

CHECKED BY: T. CHURCH  
 APPROVED BY: B. CLEVEN  
 ISSUED FOR CONSTRUCTION BY:  
 DATE:

ENGINEER'S SEAL  
**PRELIMINARY**  
 NOT TO BE USED FOR CONSTRUCTION

**THE CITY OF WINNIPEG**  
 WATER AND WASTE DEPARTMENT

COMMUNITY ROW WASTEWATER PUMPING STATION  
 2017 UPGRADES  
 CONNECTION DIAGRAM  
 VFD-L03  
 WASTEWATER LIFT PUMP P-L03

CITY DRAWING NUMBER: 1-0130L-E0016  
 SHEET: 001  
 REV.: 00  
 SIZE: A1