

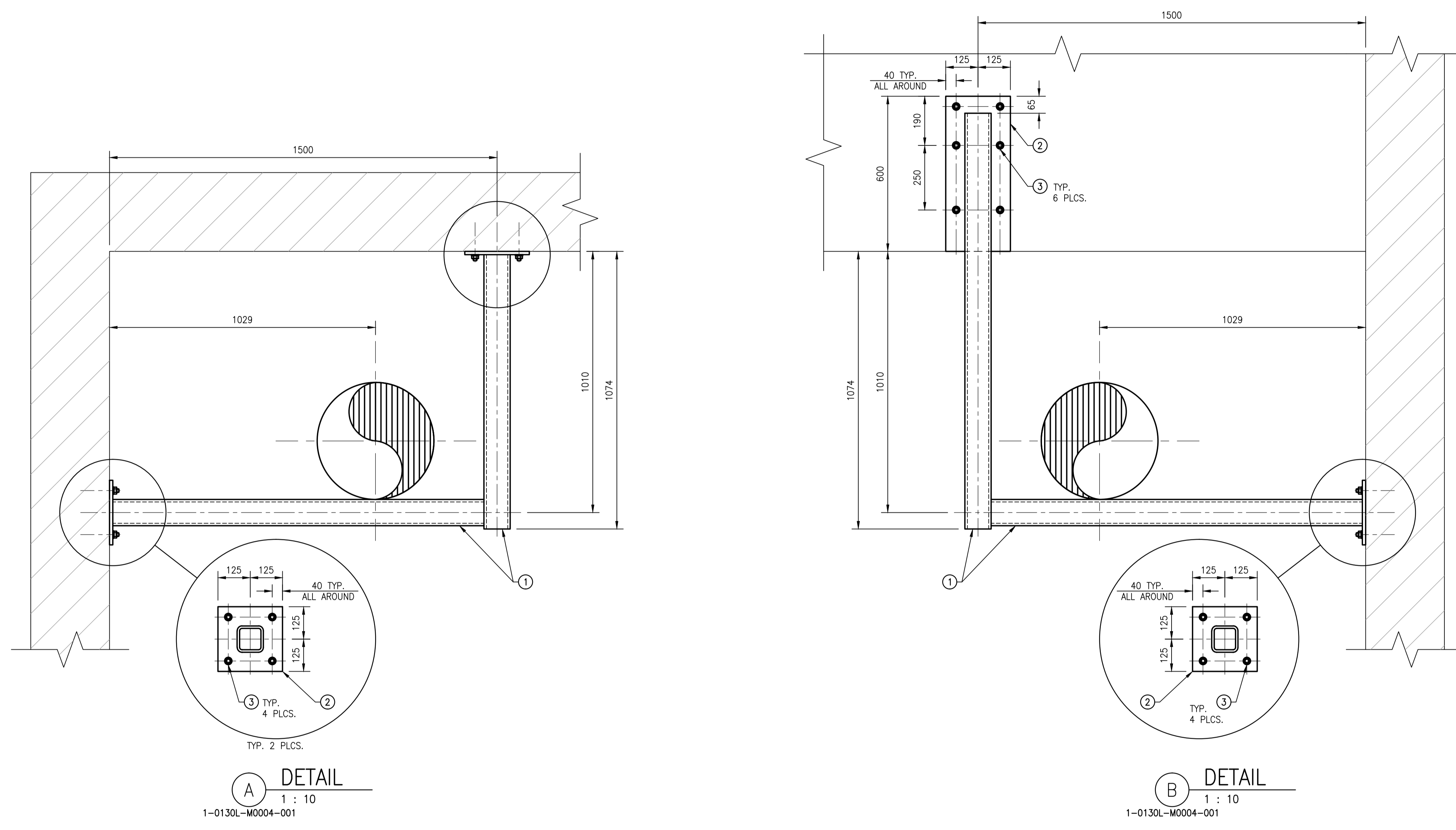
MATERIALS LIST

ITEM	DESCRIPTION	QUANTITY	NOTES
①	100mm x 100mm x 10mm HSS (CUT TO SUIT)	5700mm	*
②	13mm TH. PLATE (CUT TO SUIT)	AS REQ'D	*
③	ø16 x 150mm LG. ANCHOR BOLT	18	*

NOTES:
 * ITEMS SUPPLIED AND INSTALLED BY CONTRACTOR
 ** ITEMS SUPPLIED BY OTHERS AND INSTALLED BY CONTRACTOR

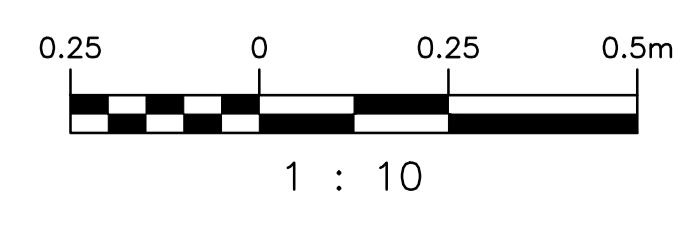
GENERAL NOTES:

1. ALL LENGTHS & DIMENSIONS SHOWN ARE TO BE FIELD CONFIRMED BY CONTRACTOR.
2. ALL BUILDING MODIFICATIONS REQUIRED FOR THE INSTALLATION OF MECHANICAL EQUIPMENT ARE PART OF THE CONTRACTORS SCOPE OF WORK.
3. ALL NEW PIPE SUPPORTS TO BE PAINTED AS PART OF THE CONTRACTORS SCOPE OF WORK.
4. ALL WELDING SHALL CONFORM TO CSA W59.1. CONTRACTOR TO BE CERTIFIED IN ACCORDANCE WITH CSA W47.1, DIVISION 1 OR 2. ALL WELDERS TO BE CWB CERTIFIED FOR THE REQUIRED WELDS.
5. UNLESS OTHERWISE NOTED ALL WELDS TO BE CONTINUOUS FILLET OR GROOVE SEAL WELDS. GROOVE WELDS TO BE DETAILED AS FULL PENETRATION WELDS WITH BACKER PLATES.



(A) DETAIL
 1 : 10
 1-0130L-M0004-001

(B) DETAIL
 1 : 10
 1-0130L-M0004-001



NO.	REVISIONS	DATE	DESIGN	CHECK
00	ISSUED FOR TENDER, BID OPP. 639-2017	2017-07-25	FZ	BJC

SNC-LAVALIN INC.
 148 Nature Park Way
 Winnipeg, MB, Canada R3P 0X7
 204-796-8080

DESIGNED BY: F. ZURZOLO
 CHECKED BY: B. CLEVEN
 DRAWN BY: C. FETTERLY
 APPROVED BY: B. CLEVEN
 SCALE: 1 : 10
 ISSUED FOR CONSTRUCTION
 DATE: 2017/04/21
 BY: [Signature]
 DATE: [Blank]
 CONSULTANT NO.:

ENGINEER'S SEAL
PRELIMINARY
 NOT TO BE
 USED FOR
 CONSTRUCTION

THE CITY OF WINNIPEG
 WATER AND WASTE DEPARTMENT

COMMUNITY ROW WASTEWATER PUMPING STATION
 2017 UPGRADES
 DETAILS
 MECHANICAL
 MOTOR ROOM - NEW WORK - PIPE SUPPORTS

CITY DRAWING NUMBER: 1-0130L-M0005
 SHEET: 001
 REV.: 00
 SIZE: A1