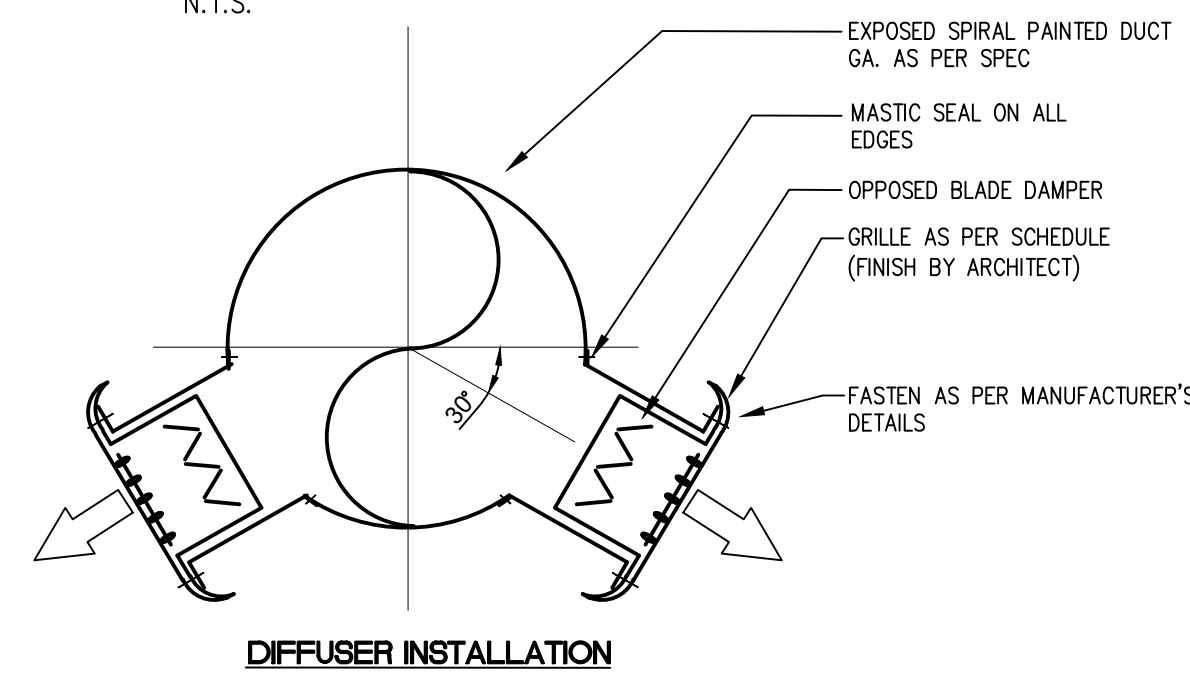
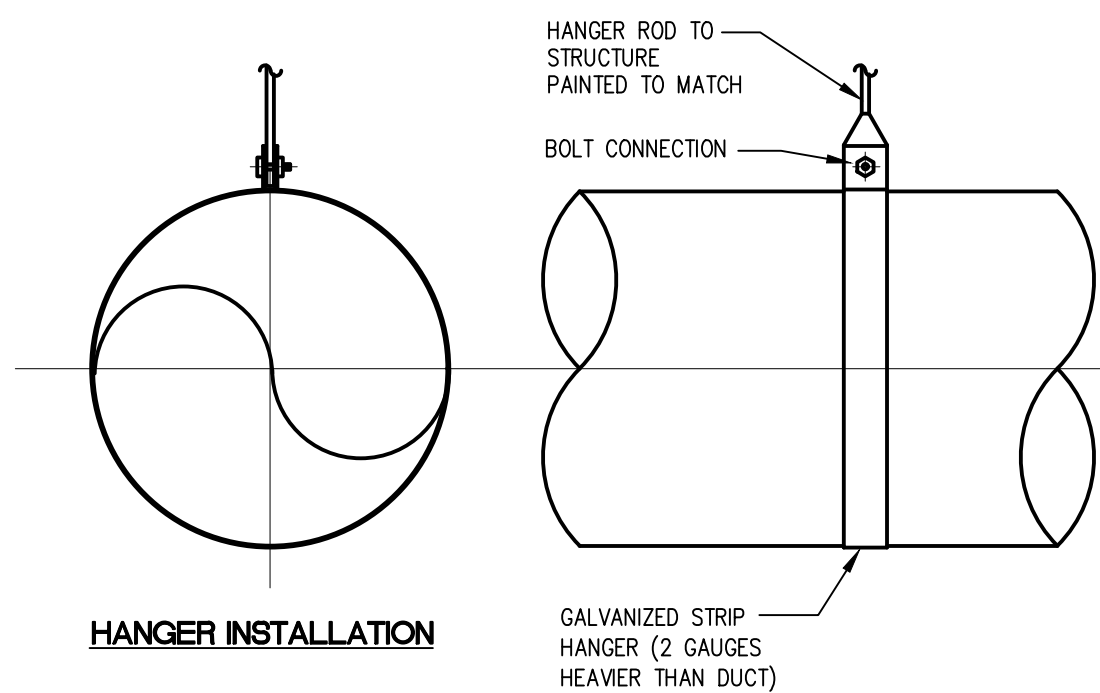


**CHIMNEY THROUGH ROOF DETAIL**  
N.T.S.

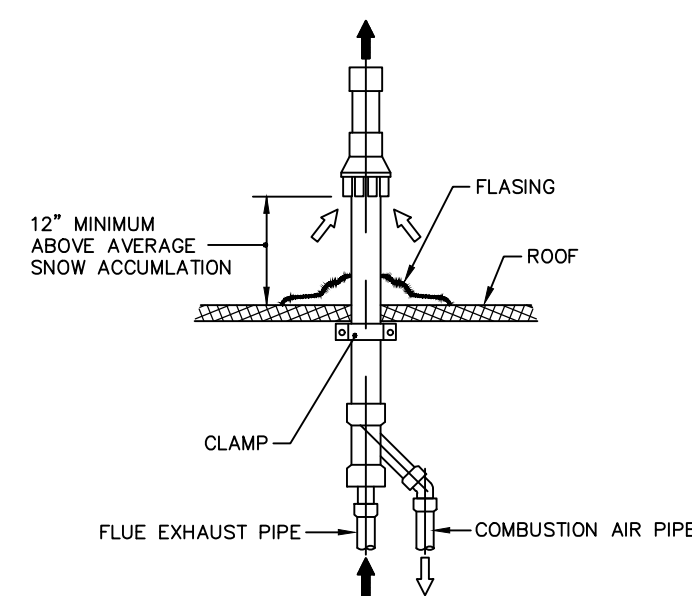


**DIFFUSER INSTALLATION**

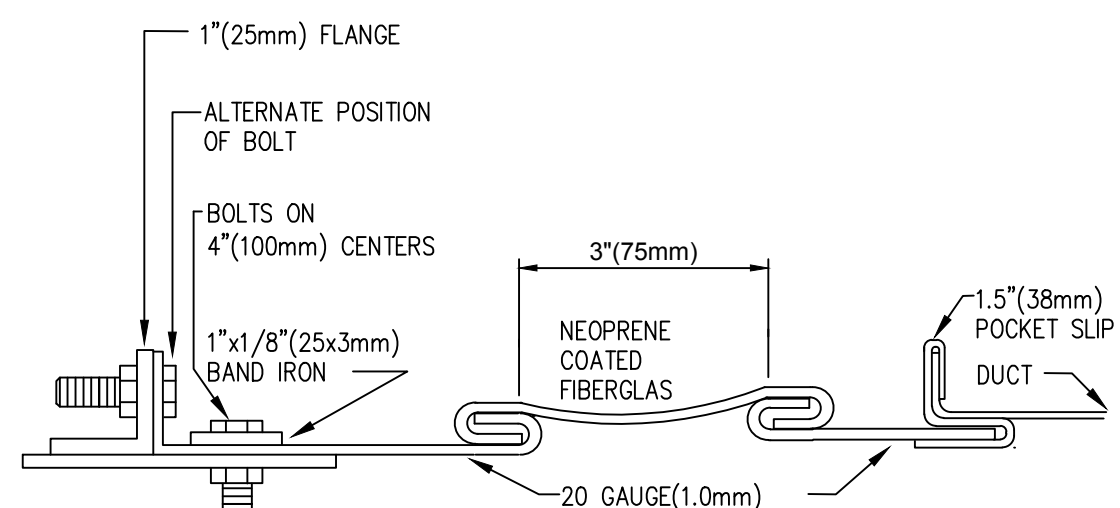


**HANGER INSTALLATION**

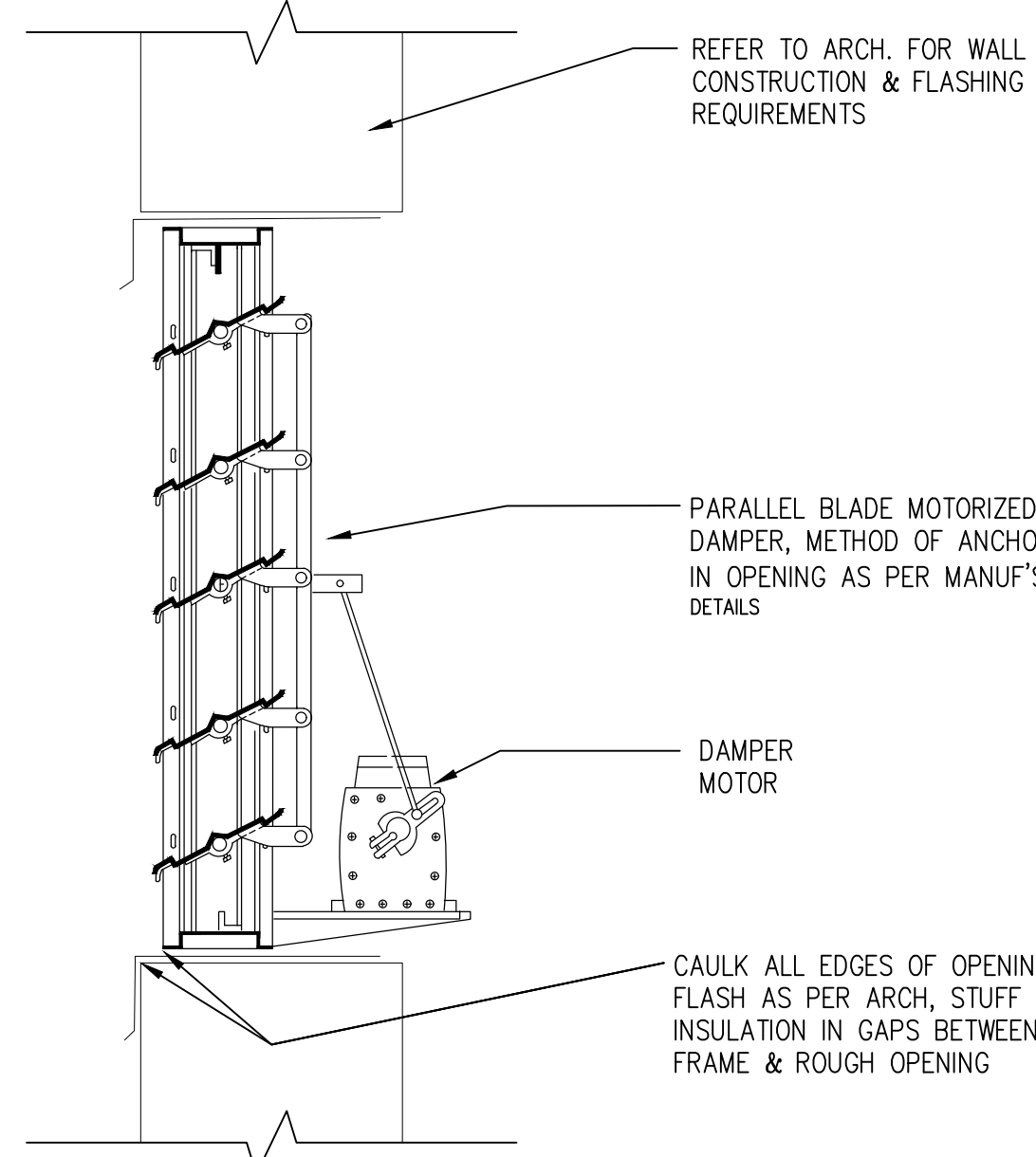
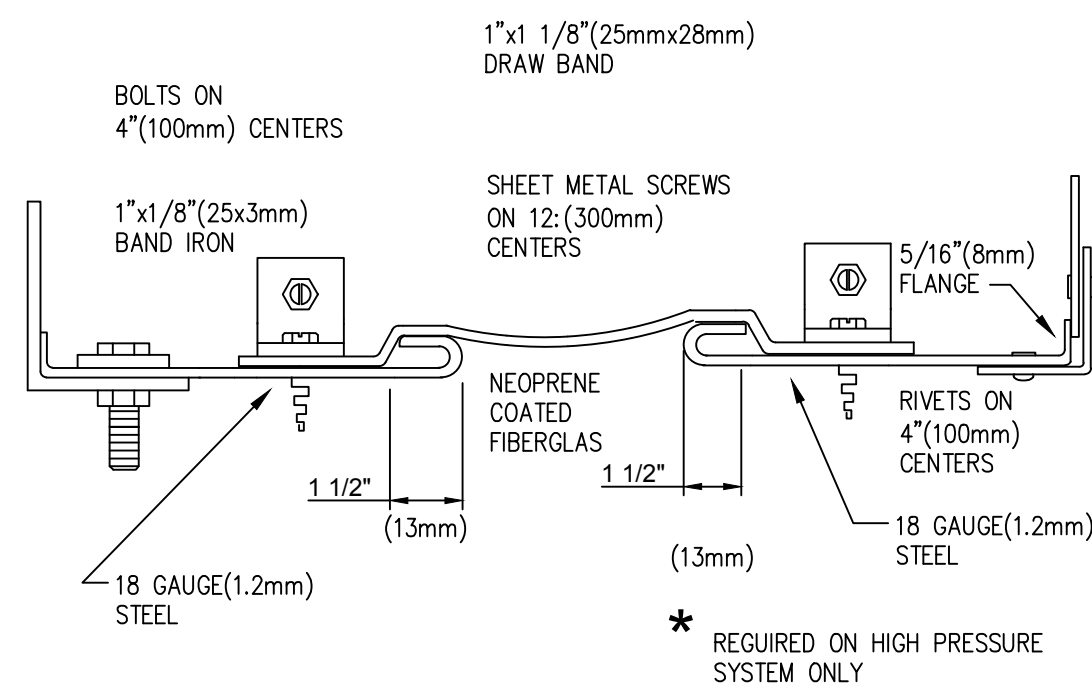
**TYPICAL EXPOSED ROUND DUCT INSTALLATION**  
N.T.S.



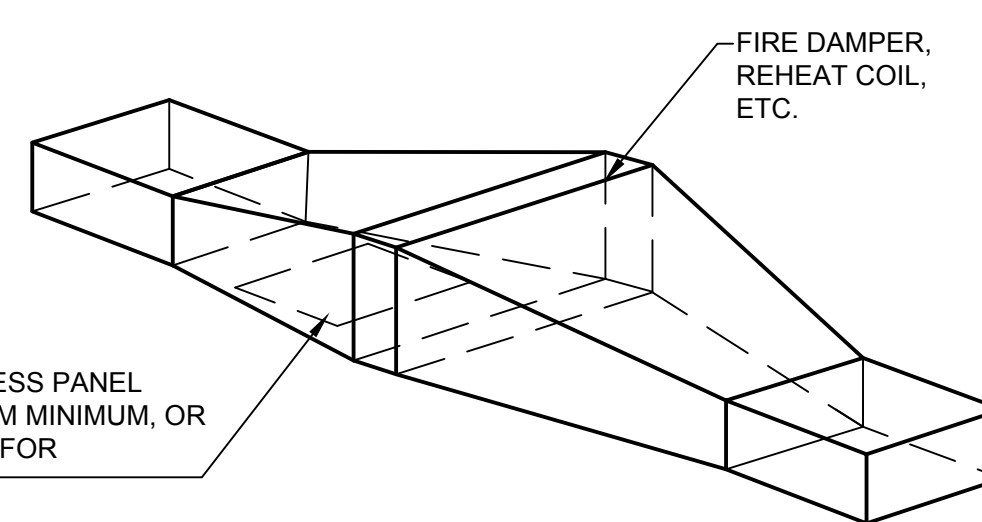
**CONCENTRIC FLAT ROOF TERMINATION INSTALLATION DETAIL**  
N.T.S.  
(TYPICAL FOR HIGH EFFICIENCY GAS FURNACES)



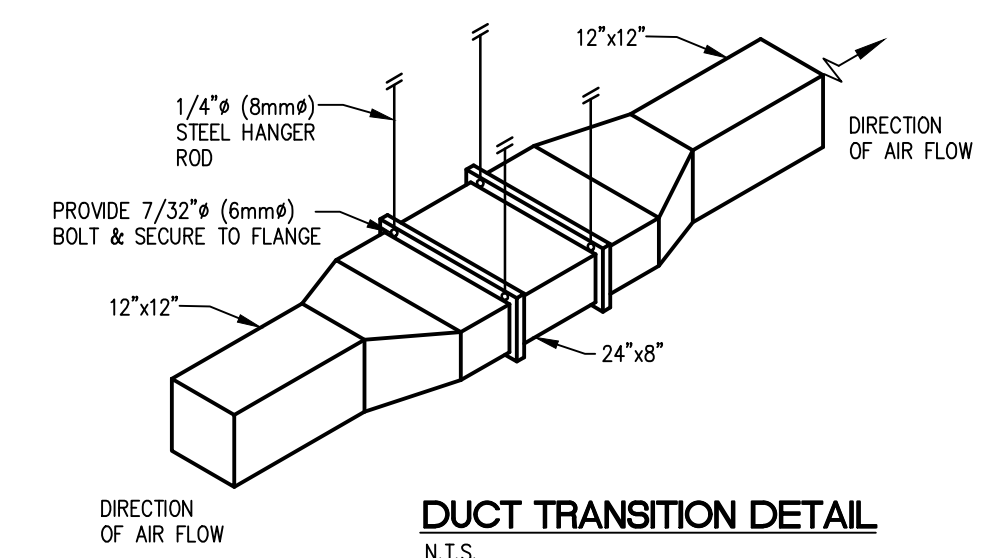
**DUCT CONNECTION DETAILS**  
N.T.S.



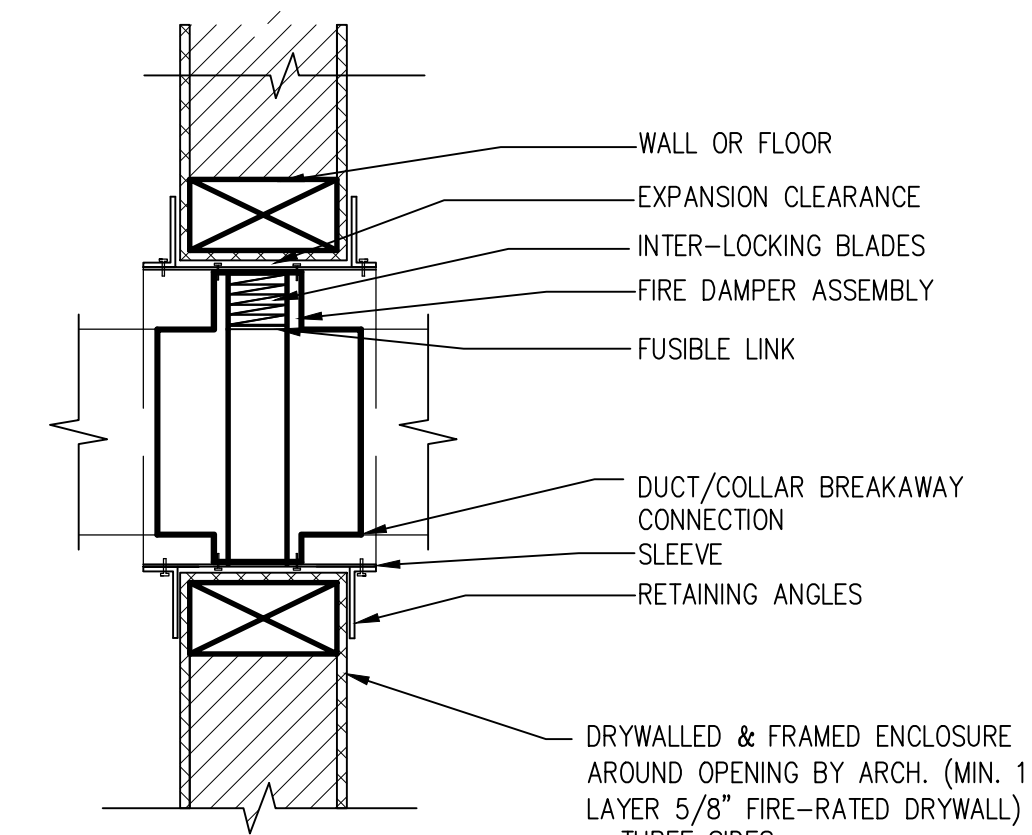
**MOTORIZED DAMPER DETAIL**  
N.T.S.



**ACCESS DOOR DETAIL**  
N.T.S.



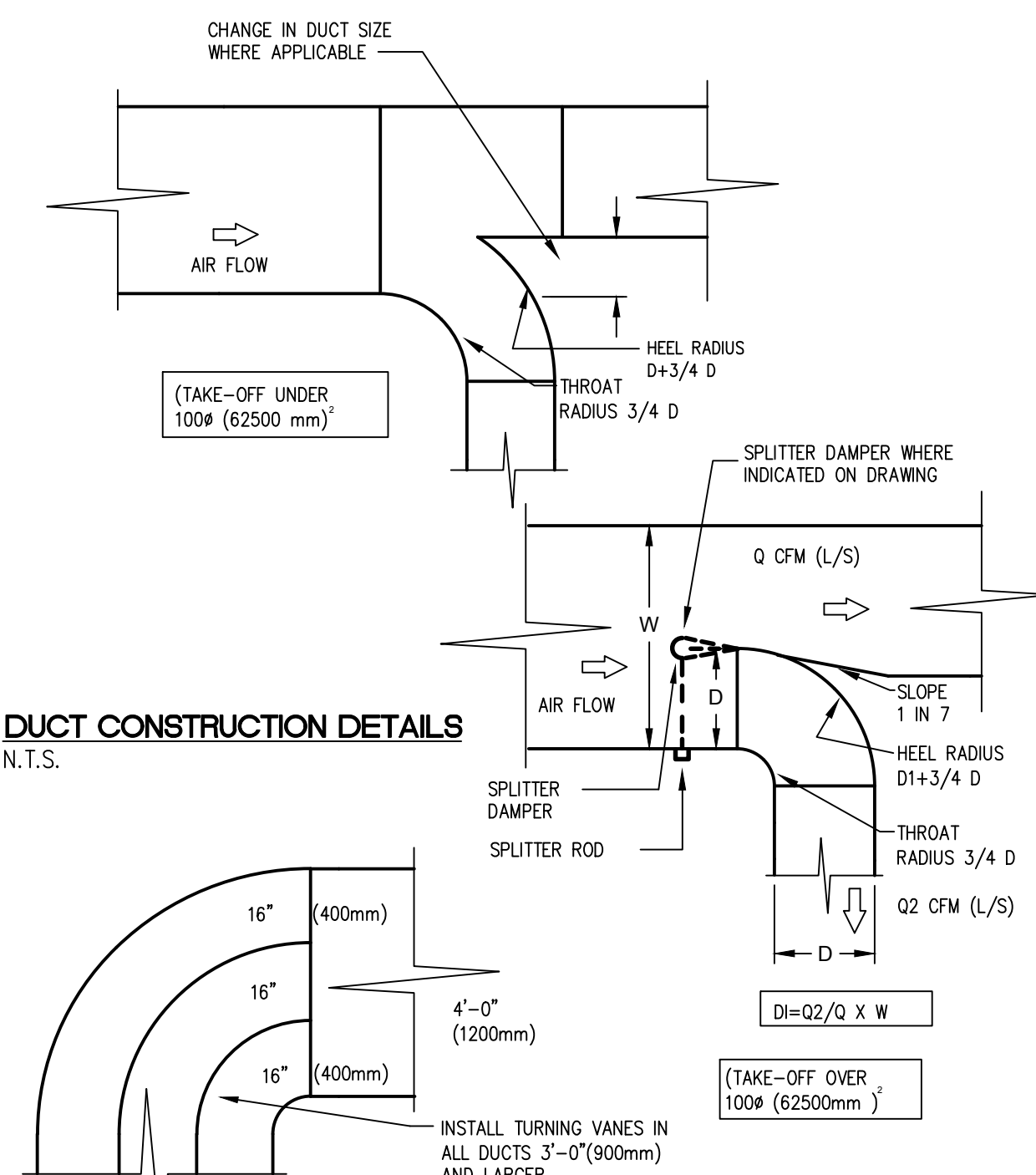
**DUCT TRANSITION DETAIL**  
N.T.S.



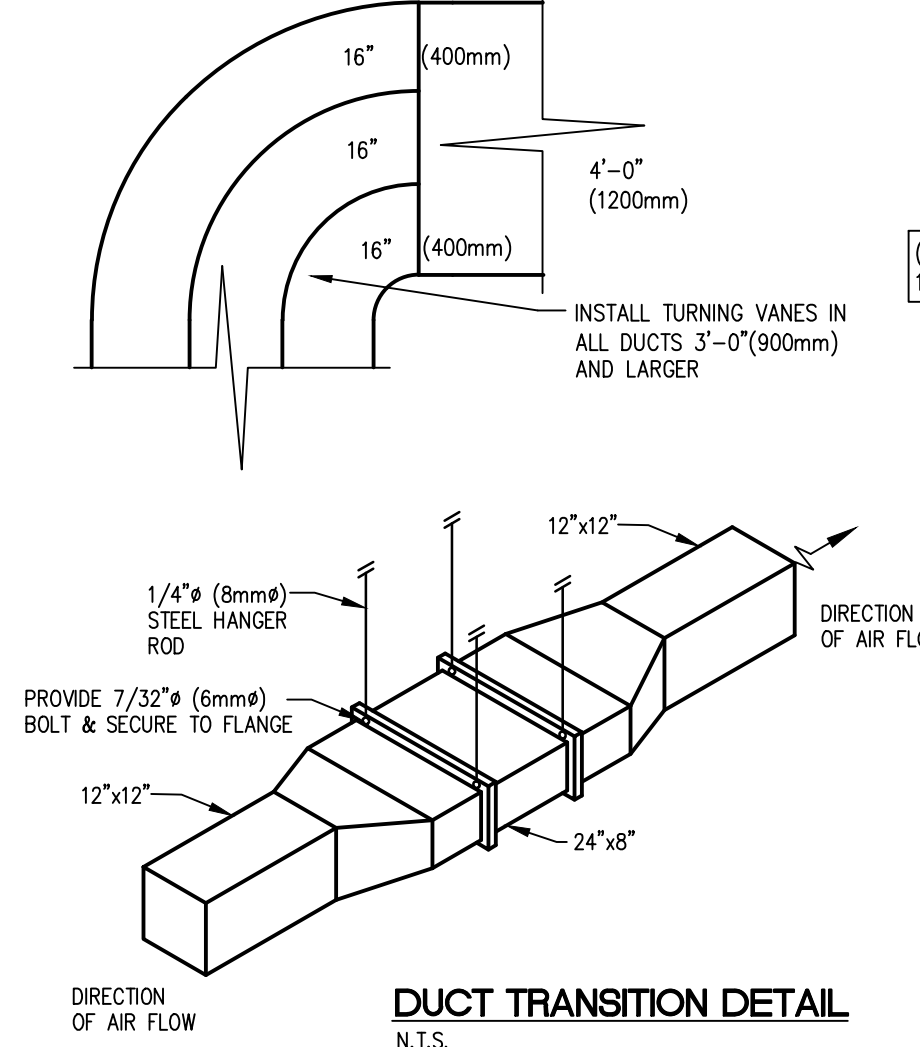
**TYPE 'B' FIRE DAMPER DETAIL**  
N.T.S.

NOTES:  
FIRE DAMPER TO BE INSTALLED AS PER MANUFACTURER'S RECOMMENDATION.

DUCT/COLLAR BREAKAWAY CONNECTION TO BE APPROVED.



**DUCT CONSTRUCTION DETAILS**  
N.T.S.



**DUCT TRANSITION DETAIL**  
N.T.S.



**ISSUED FOR CONSTRUCTION**

No.	DATE	REVISION / ISSUANCE
17.08.04		MECHANICAL ADDENDUM #1
0	17.07.17	ISSUE FOR CONSTRUCTION



**| x | architecture inc.**  
130 Fort Street, Suite 103 Winnipeg, Manitoba R3C 1C7 204 318 2690

**NOVA 3 ENGINEERING LTD.**  
PROFESSIONAL ENGINEERS  
201-120 FORT STREET TEL: (204) 943-6142  
WINNIPEG, MANITOBA R3C 1C7 FAX: (204) 942-1276  
WWW.NOVA3.CA JN: 36083

THIS DRAWING IS THE EXCLUSIVE PROPERTY OF NOVA 3 ENGINEERING LTD. AND MAY ONLY BE REPRODUCED WITH THE WRITTEN PERMISSION OF NOVA 3 ENGINEERING LTD.  
THE CONCEPT AND DESIGN INCORPORATED INTO THIS DRAWING ARE BASED ON INFORMATION PROVIDED BY THE CLIENT AND OTHER RELATED SOURCES. PROFESSIONAL ENGINEER ACCEPTS NO RESPONSIBILITY FOR DRAWING AND DESIGN UNLESS DRAWING IS ACCOMPANIED BY ORIGINAL SEALED LETTER OF INTENT OR EQUIVALENT ACCEPTABLE FACSIMILE. PROFESSIONAL ENGINEER ACCEPTS NO RESPONSIBILITY FOR FINAL INSTALLATION CONFORMANCE WITHOUT ORIGINAL SEALED CERTIFICATE OF INSPECTION OR EQUIVALENT ACCEPTABLE FACSIMILE.

Project: **ST. VITAL ARENA**  
**CHANGE ROOM UPGRADES**  
580 ST. ANNE'S ROAD, WINNIPEG, MB

Sheet Title: **MECHANICAL**  
**SPECIFICATIONS 2 OF 2**

Project No.	Sheet
1723	M2.1
Date:	JULY 2017