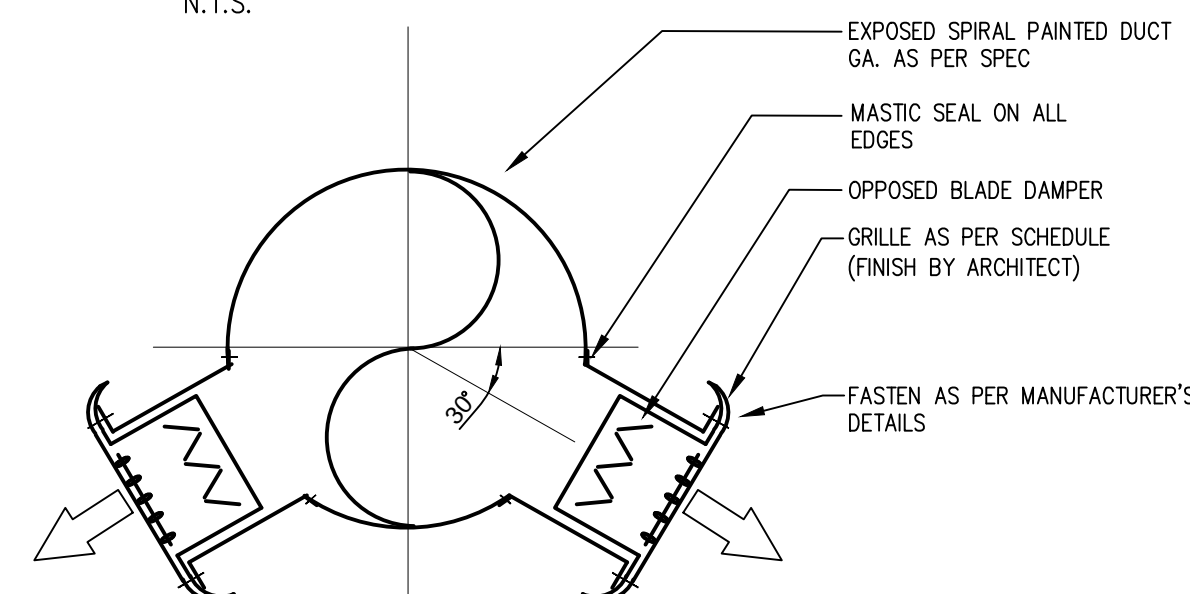
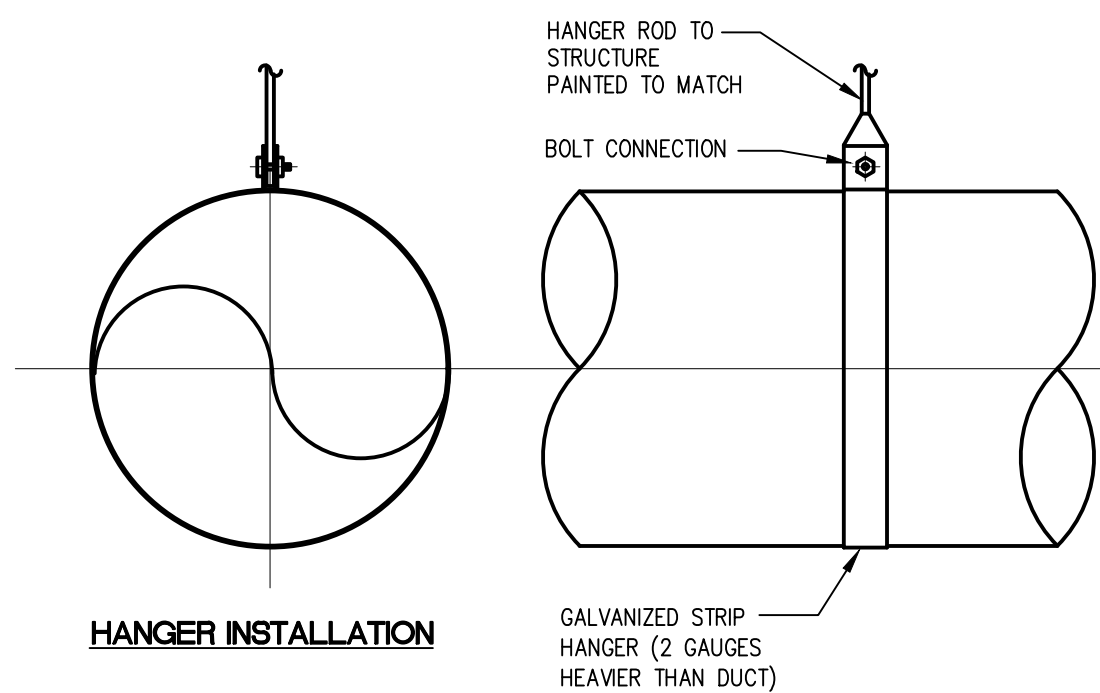


CHIMNEY THROUGH ROOF DETAIL
N.T.S.

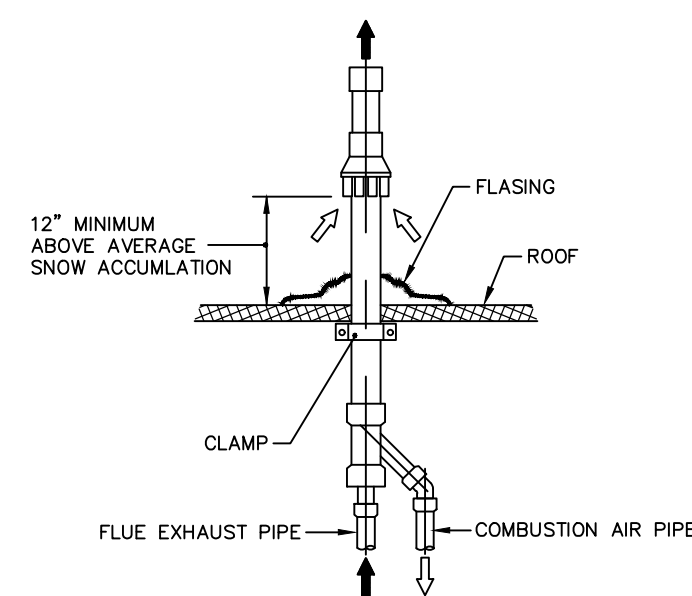


DIFFUSER INSTALLATION

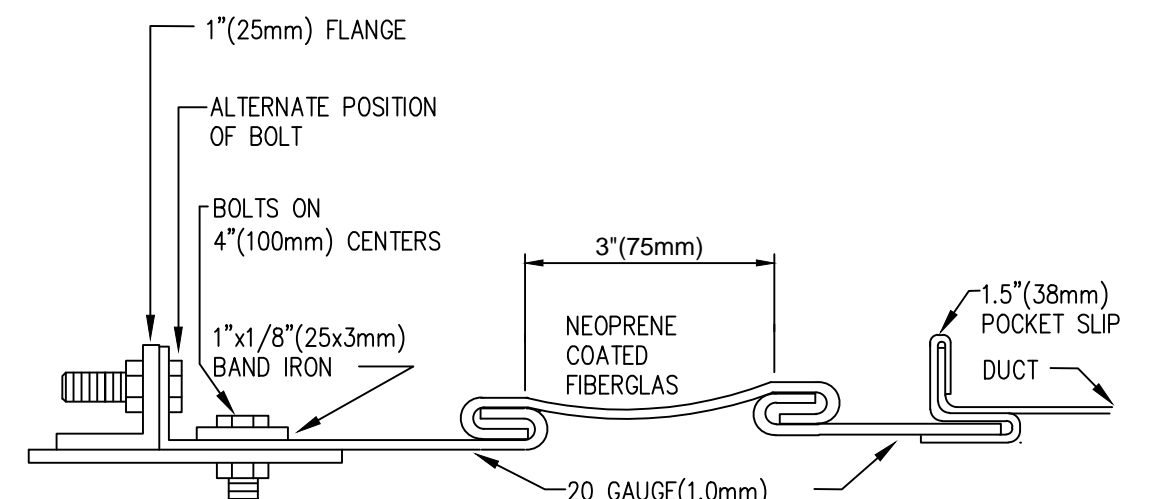


HANGER INSTALLATION

TYPICAL EXPOSED ROUND DUCT INSTALLATION
N.T.S.



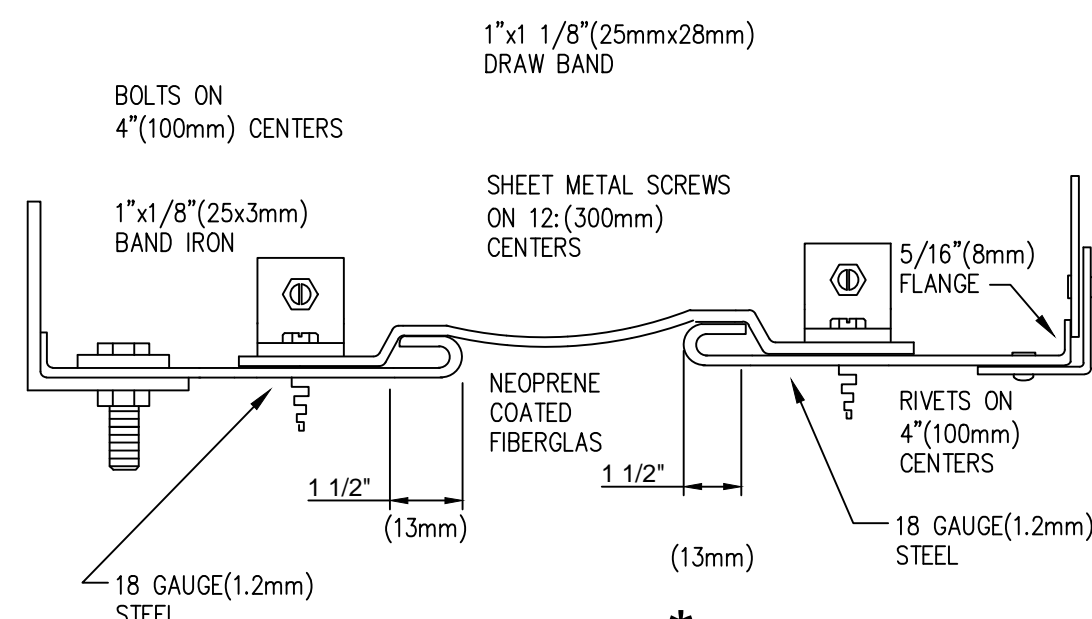
CONCENTRIC FLAT ROOF TERMINATION INSTALLATION DETAIL
N.T.S. (TYPICAL FOR HIGH EFFICIENCY GAS FURNACES)



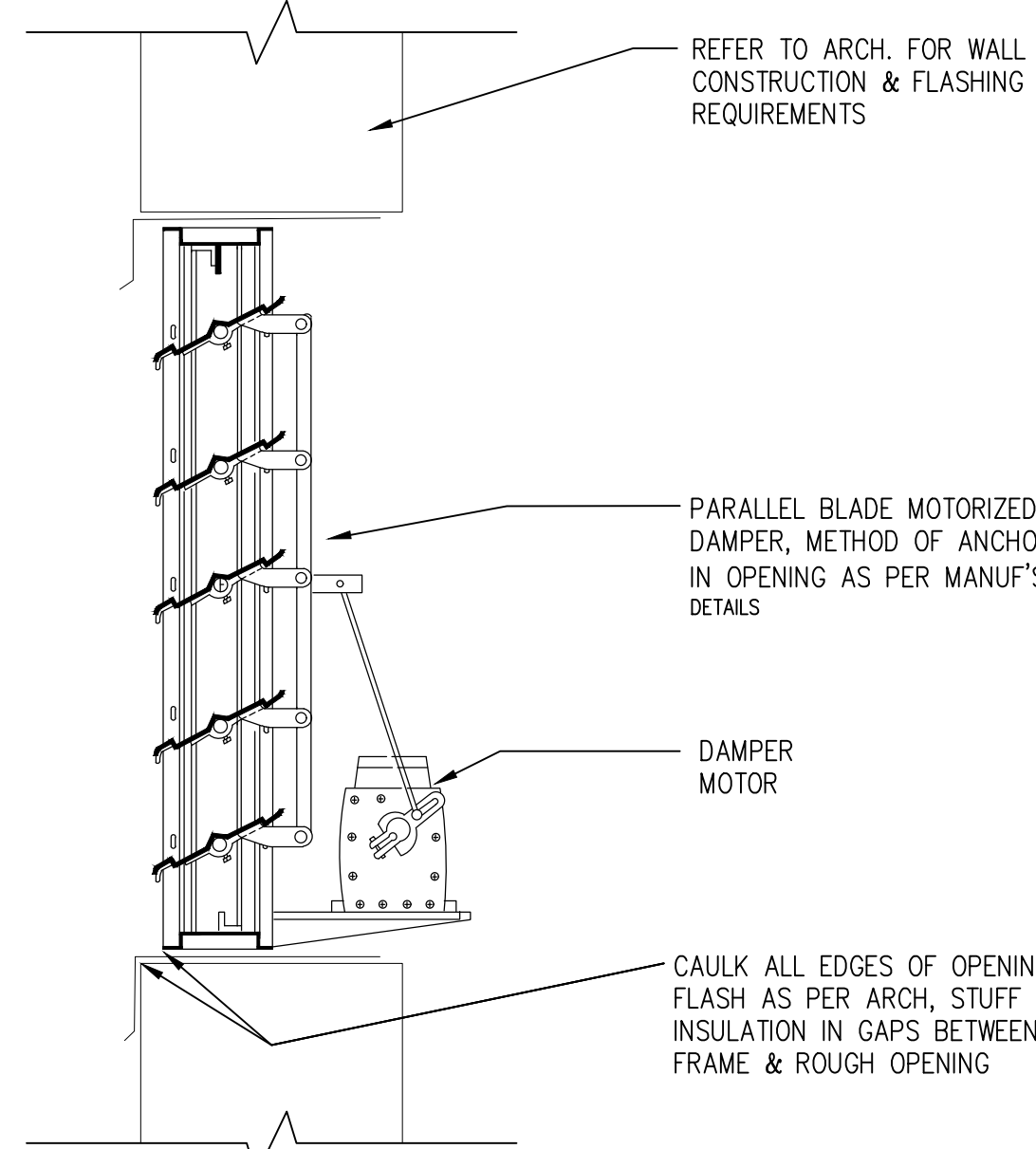
DUCT CONNECTION DETAILS
N.T.S.

* SEALING COMPOUND APPLIED BETWEEN FABRIC BAND AND 18 GAUGE (1.2mm) STEEL BEFORE ASSEMBLY

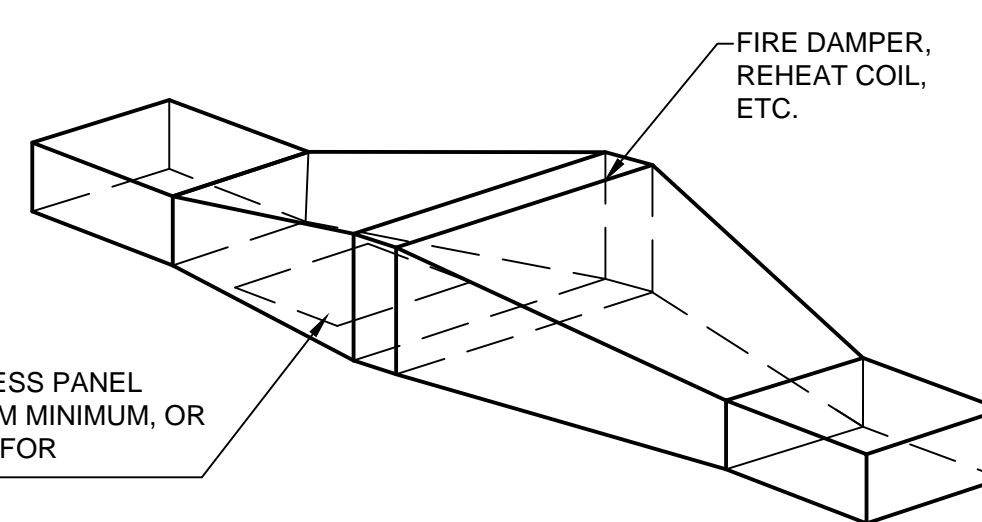
* SEALING COMPOUND APPLIED BETWEEN FLEXIBLE CONNECTION AND FAN CASING BEFORE ASSEMBLY



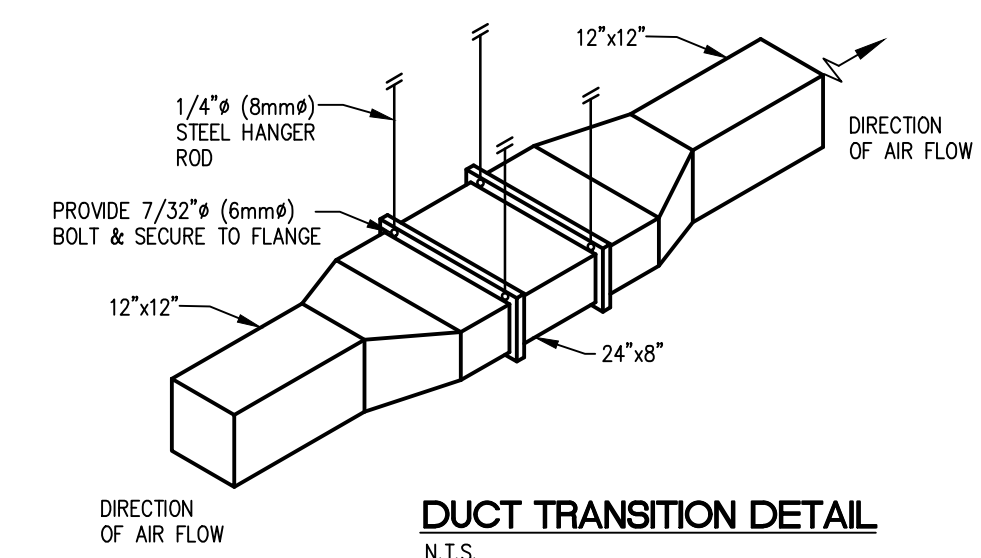
* REQUIRED ON HIGH PRESSURE SYSTEM ONLY



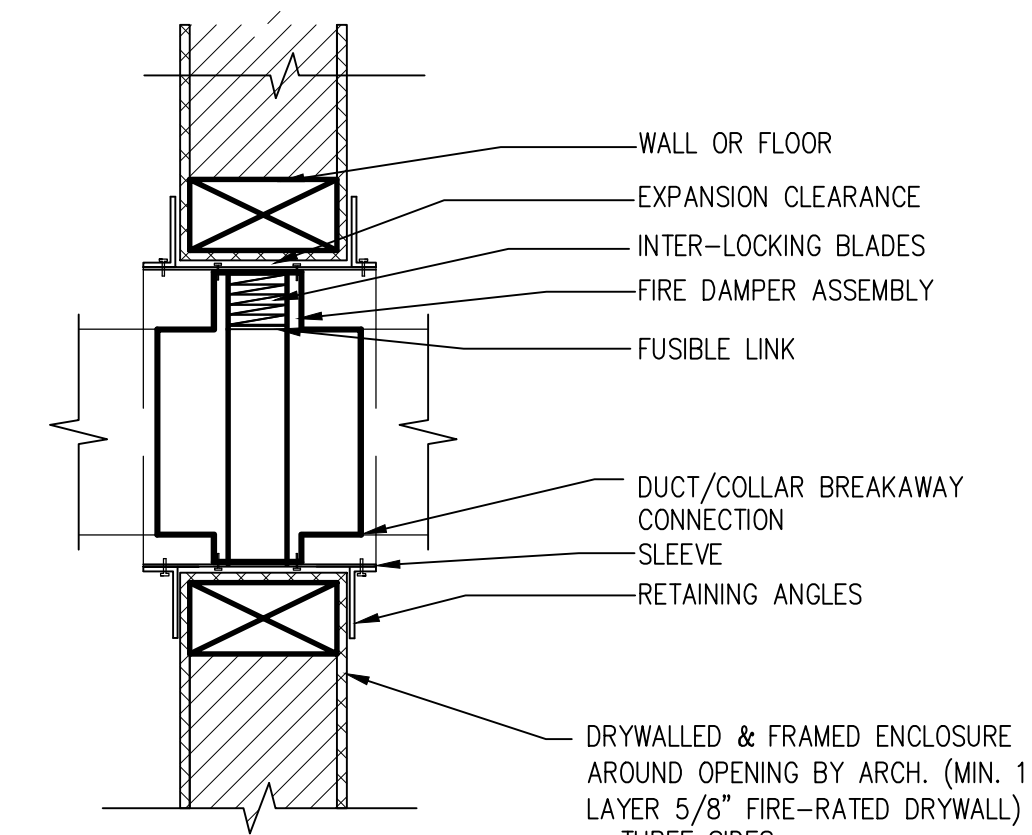
MOTORIZED DAMPER DETAIL
N.T.S.



ACCESS DOOR DETAIL
N.T.S.



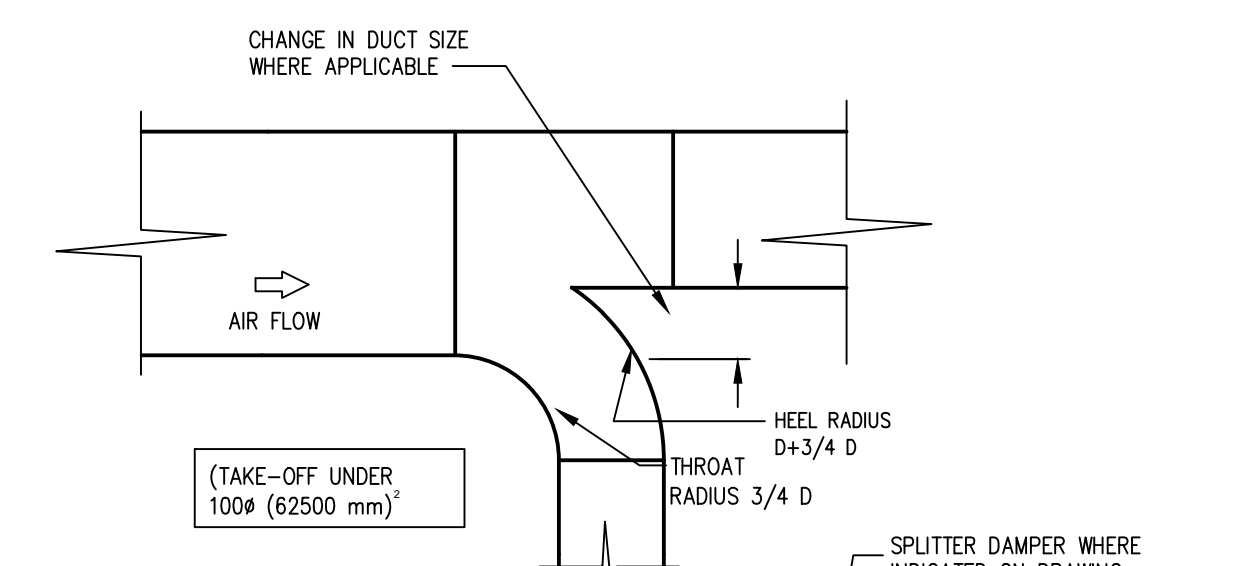
DUCT TRANSITION DETAIL
N.T.S.



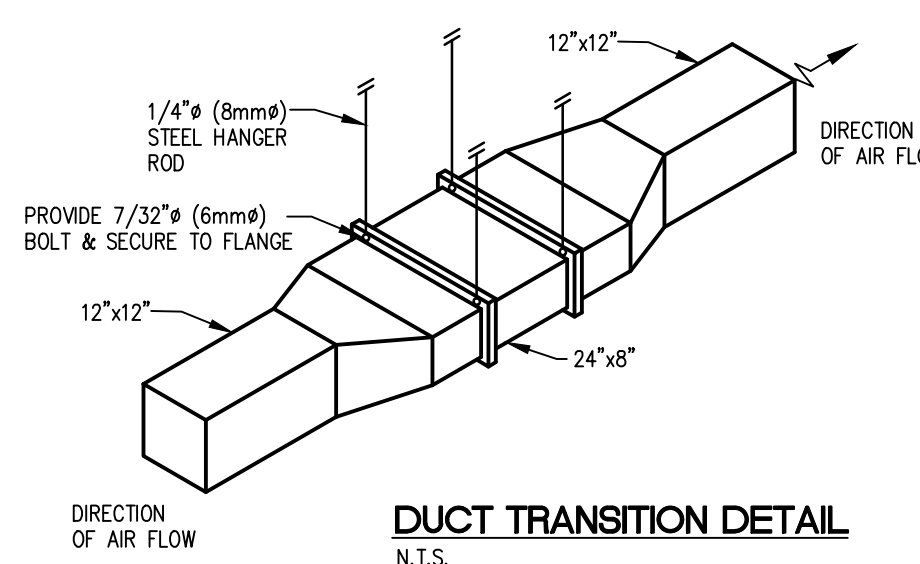
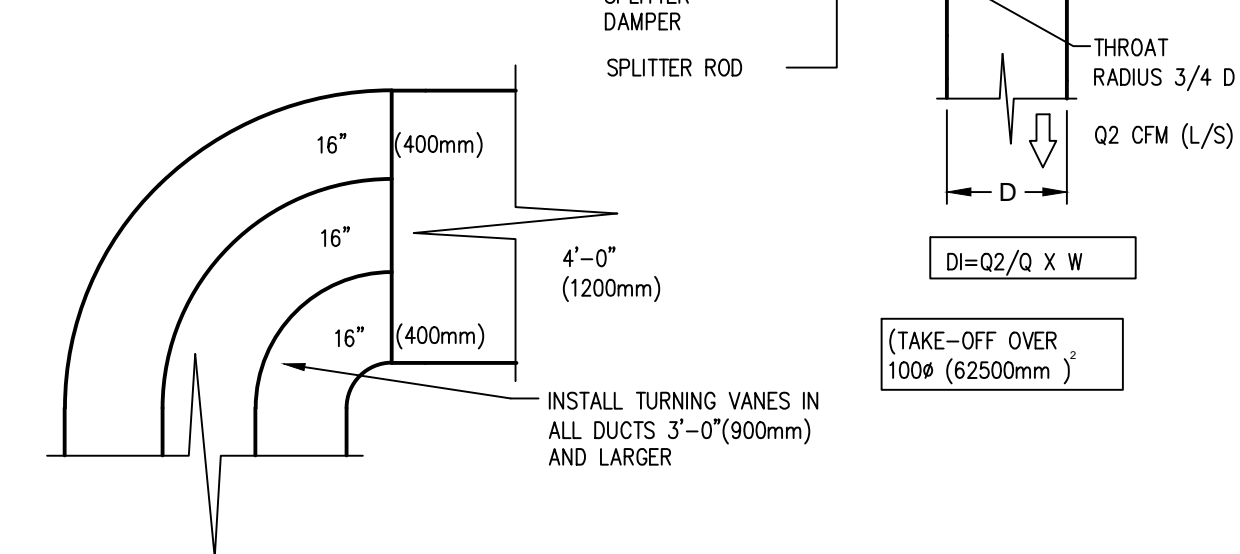
TYPE 'B' FIRE DAMPER DETAIL
N.T.S.

NOTES:
FIRE DAMPER TO BE INSTALLED AS PER MANUFACTURER'S RECOMMENDATION.

DUCT/COLLAR BREAKAWAY CONNECTION TO BE APPROVED.



DUCT CONSTRUCTION DETAILS
N.T.S.

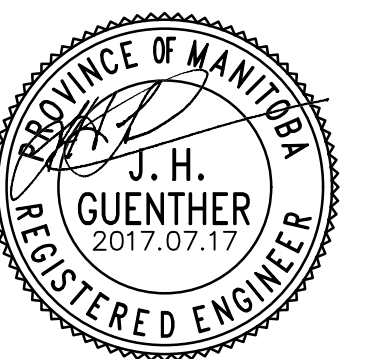


DUCT TRANSITION DETAIL
N.T.S.



ISSUED FOR CONSTRUCTION

0 17.07.17 ISSUED FOR CONSTRUCTION
No. DATE REVISION / ISSUANCE



| x | architecture inc.
130 Fort Street, Suite 103 Winnipeg, Manitoba R3C 1C7 204 318 2690

NOVA 3 NOVA 3 ENGINEERING LTD.
PROFESSIONAL ENGINEERS
201-120 FORT STREET TEL: (204) 943-6142
WINNIPEG, MANITOBA R3C 1C7 FAX: (204) 942-1276
WWW.NOVA3.CA JN: 36083

THIS DRAWING IS THE EXCLUSIVE PROPERTY OF NOVA 3 ENGINEERING LTD. AND MAY ONLY BE REPRODUCED WITH THE WRITTEN PERMISSION OF NOVA 3 ENGINEERING LTD.
THE CONCEPT AND DESIGN INCORPORATED INTO THIS DRAWING ARE BASED ON INFORMATION PROVIDED BY THE CLIENT AND OTHER RELATED SOURCES. PROFESSIONAL ENGINEER ACCEPTS NO RESPONSIBILITY FOR DRAWING AND DESIGN UNLESS DRAWING IS ACCOMPANIED BY ORIGINAL SEALED LETTER OF INTENT OR EQUIVALENT ACCEPTABLE FACSIMILE. PROFESSIONAL ENGINEER ACCEPTS NO RESPONSIBILITY FOR FINAL INSTALLATION CONFORMANCE WITHOUT ORIGINAL SEALED CERTIFICATE OF INSPECTION OR EQUIVALENT ACCEPTABLE FACSIMILE.

Project: ST. VITAL ARENA
CHANGE ROOM UPGRADES
580 ST. ANNE'S ROAD, WINNIPEG, MB

Sheet Title: **MECHANICAL SPECIFICATIONS 2 OF 2**

Project No. 1723 Sheet

Date: JULY 2017 **M2.1**