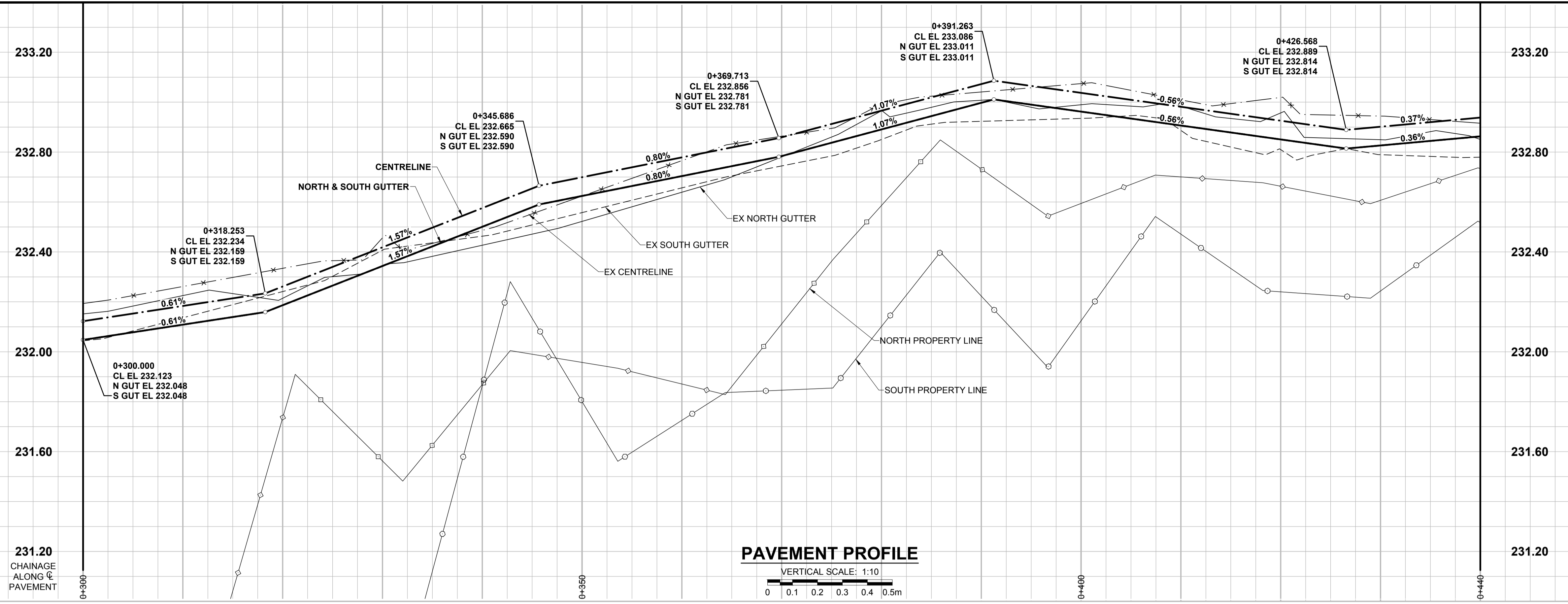
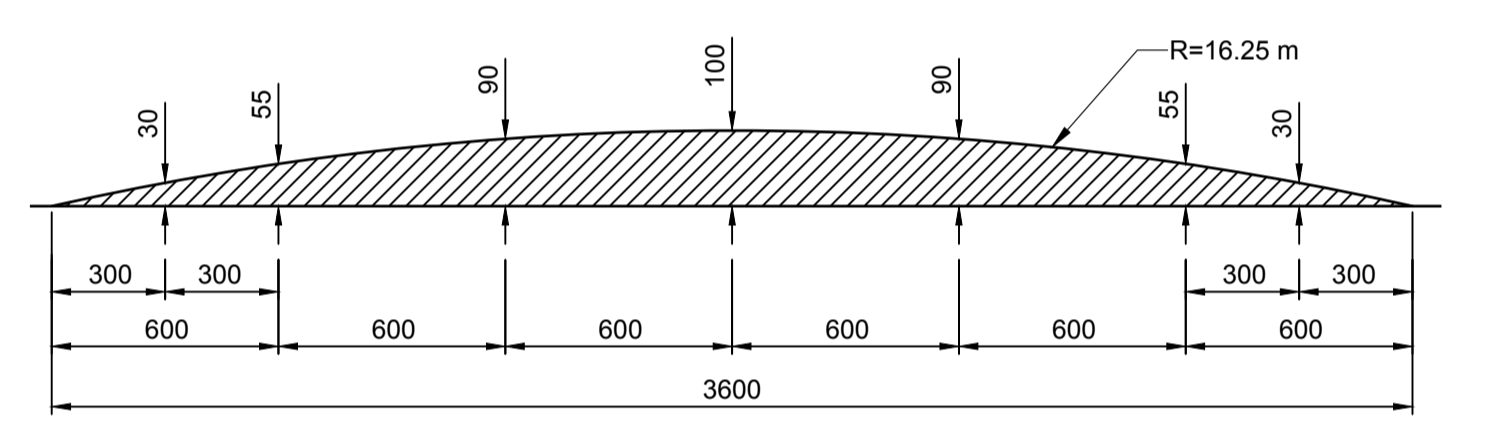
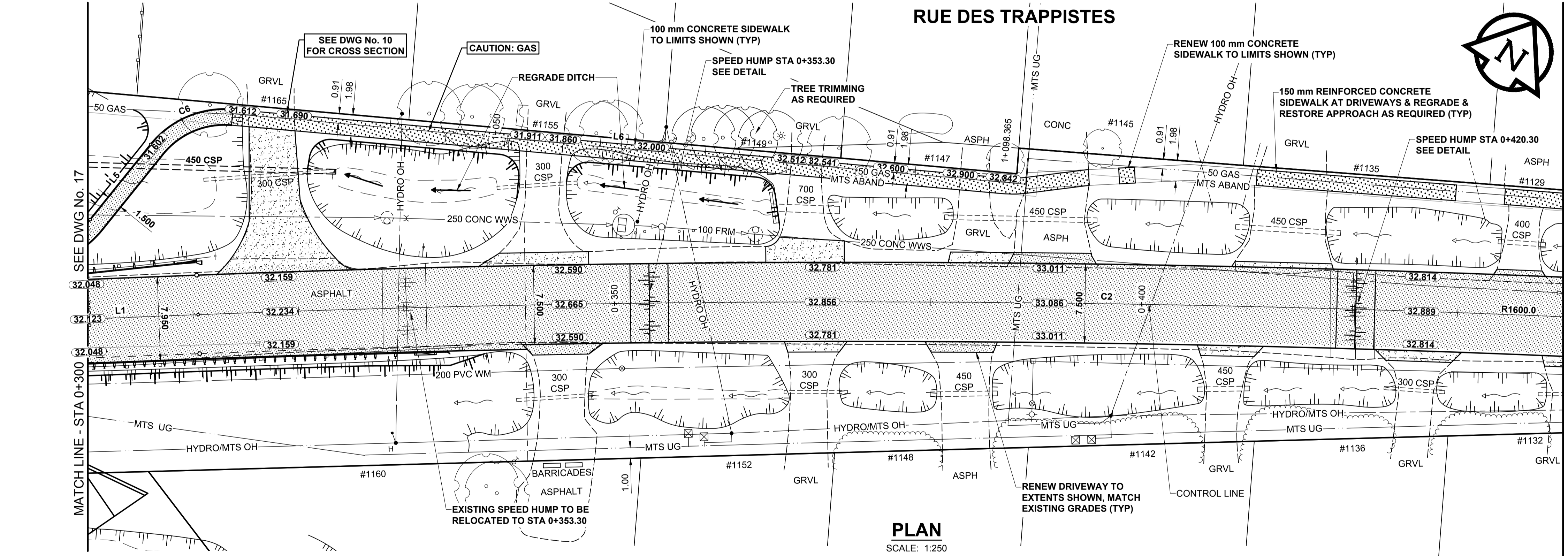


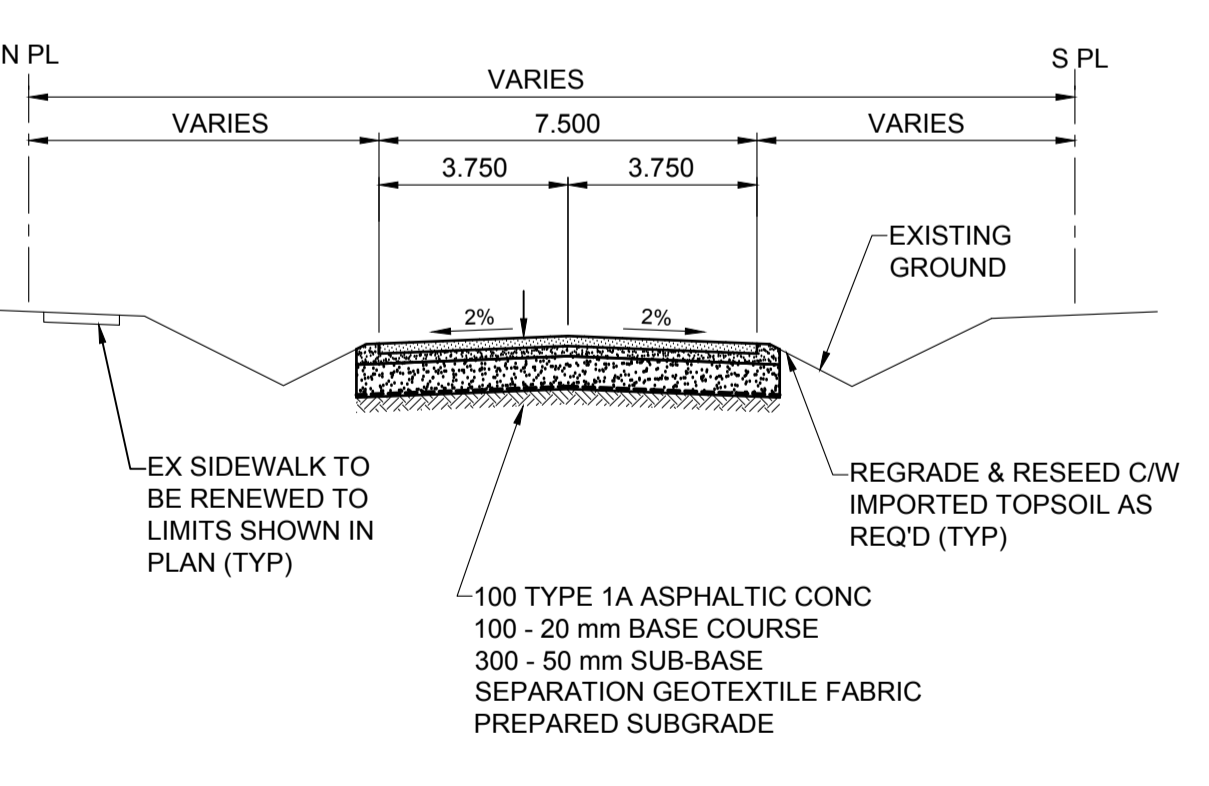
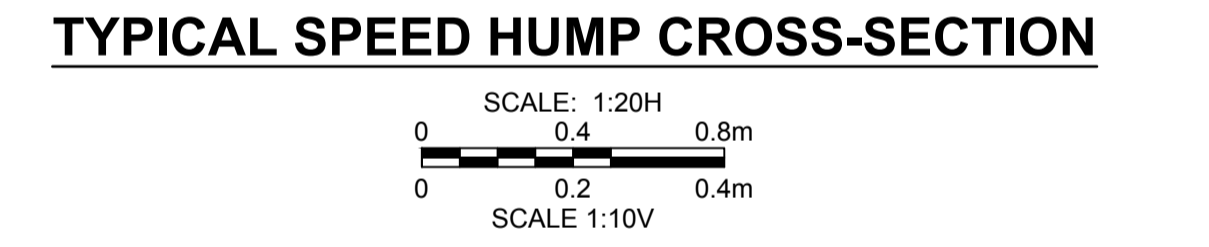
ISC A1 - 594mm x 841mm



- NOTES**
- ADJUST MH AND CB RIMS TO NEW GRADES.
 - CONTRACTOR TO REGRADE/RENEW EXISTING PRIVATE SIDEWALKS TO LIMITS AS SHOWN. SIDEWALKS TO BE RENEWED WITH CONCRETE UNLESS NOTED OTHERWISE.
 - CONTRACTOR TO TAKE PRECAUTIONARY STEPS TO PROTECT EXISTING TREES WITHIN THE LIMITS OF CONSTRUCTION FROM DAMAGE FROM CONSTRUCTION ACTIVITIES AS OUTLINED IN THE SPECIFICATIONS.
 - MODIFIED BARRIER CURB TO BE CONSTRUCTED AT ALL INTERSECTION RADII, BACK LANE RADII AND BULLNOSES.
 - CONTRACTOR TO CONFIRM THE LOCATION OF ALL UTILITIES/SERVICES IN THE FIELD PRIOR TO CONSTRUCTION.
 - ADD 200.000m TO ABBREVIATED ELEVATIONS TO OBTAIN GEODETIC ELEVATIONS.
 - ALL DIMENSIONS TO BACK OF CURB/EDGE OF ASPHALT.



NOTE:
1. THE SPEED HUMP SHALL HAVE A SEMI-CIRCULAR CROSS-SECTION AS SHOWN.



NUMBER	LENGTH	RADIUS	DELTA	TANGENT	START STATION	NORTHING	EASTING	END STATION	NORTHING	EASTING
C5	7.004	8.200	48°56'19"	3.732	1+000.000	5513725.352	632445.500	1+007.004	5513731.280	632448.817
L5	9.153				1+007.004	5513731.280	632448.817	1+016.157	5513740.402	632449.575
C6	8.835	9.000	56°14'32"	4.810	1+016.157	5513740.402	632449.575	1+024.992	5513747.527	632454.180
L6	73.373				1+024.992	5513747.527	632454.180	1+098.365	5513783.104	632518.352

NUMBER	LENGTH	RADIUS	DELTA	TANGENT	START STATION	NORTHING	EASTING	END STATION	NORTHING	EASTING
L1	57.879				0+252.607	5513695.290	632415.714	0+310.487	5513729.561	632462.356
C2	172.366	1600.000	6°10'21"	86.266	0+310.487	5513729.561	632462.356	0+482.852	5513823.951	632606.480

EXISTING	LEGEND - PLAN	NEW	EXISTING	LEGEND - PLAN	NEW	EXISTING	LEGEND - PLAN	NEW	
	GAS		MANHOLE		CONCRETE PAVEMENT		LOCATION APPROVED		MTS HANDWELL/PEDESTAL
	HYDRO HANDWELL/CABINET		CATCH BASIN/CATCH PIT		CONC SIDEWALK/MEDIAN		UNDERGROUND STRUCTURES		HYDRO HANDWELL/CABINET
	CATV/FIBRE OPTIC		TREE		ASPHALT PAVEMENT		SUPR. UG STRUCTURES COMMITTEE		CATV/FIBRE OPTIC
	TRAFFIC SIGNALS/PIT		TEST HOLE		PAVING STONE		DATE		TRAFFIC SIGNALS/PIT
	LAND DRAINAGE SEWER		PROPERTY LINE		GRAVEL		NOTE:		LAND DRAINAGE SEWER
	SANITARY/COMBINED SEWER		SURVEY BAR		RAMP CURB		LOCATION OF UNDERGROUND STRUCTURES AS SHOWN ARE BASED ON THE BEST INFORMATION AVAILABLE BUT NO GUARANTEE IS GIVEN THAT ALL EXISTING UTILITIES ARE SHOWN OR THAT THE GIVEN LOCATIONS ARE EXACT. CONFIRMATION OF EXISTENCE AND EXACT LOCATION OF ALL SERVICES MUST BE OBTAINED FROM THE INDIVIDUAL UTILITIES BEFORE PROCEEDING WITH CONSTRUCTION.		SANITARY/COMBINED SEWER
	CB LEAD/SSP/DCP		FENCE		PLANING/REMOVAL				CB LEAD/SSP/DCP
	WATERMAIN		BOC/EDGE OF PAVEMENT						WATERMAIN
	SUBDRAIN		ELEVATION (33.333)						SUBDRAIN
	DITCH		TRAFFIC SIGN						DITCH

LOCATION APPROVED UNDERGROUND STRUCTURES
DATE: _____
NOTE: LOCATION OF UNDERGROUND STRUCTURES AS SHOWN ARE BASED ON THE BEST INFORMATION AVAILABLE BUT NO GUARANTEE IS GIVEN THAT ALL EXISTING UTILITIES ARE SHOWN OR THAT THE GIVEN LOCATIONS ARE EXACT. CONFIRMATION OF EXISTENCE AND EXACT LOCATION OF ALL SERVICES MUST BE OBTAINED FROM THE INDIVIDUAL UTILITIES BEFORE PROCEEDING WITH CONSTRUCTION.

NO.	ISSUED FOR TENDER	DATE	BY
0	ISSUED FOR TENDER	17/09/15	GFC
	REVISIONS	YY/MM/DD	BY

MORRISON HERSHFIELD

DESIGNED BY: GFC
DRAWN BY: DML
CHECKED BY: RPB
APPROVED BY: BWB
RELEASED FOR CONSTRUCTION: _____
DATE: 17/08/04

PROFESSIONAL'S SEAL
G.F. COOLIDGE
REGISTERED PROFESSIONAL ENGINEER
CONSULTANT FILE NAME: 5160966-PP-02.dwg

THE CITY OF WINNIPEG
PUBLIC WORKS DEPARTMENT
ENGINEERING DIVISION

RUE DES TRAPPISTES AT WESTENDORF COULEE CULVERT REPLACEMENT AND ROAD RECONSTRUCTION
RUE DES TRAPPISTES
HORIZONTAL AND VERTICAL ALIGNMENT
STA 0+300 TO STA 0+440

CITY DRAWING NUMBER: N/A
SHEET 18 OF 22
DRAWING No. REV 18 0

BID OPPORTUNITY No. 698-2017