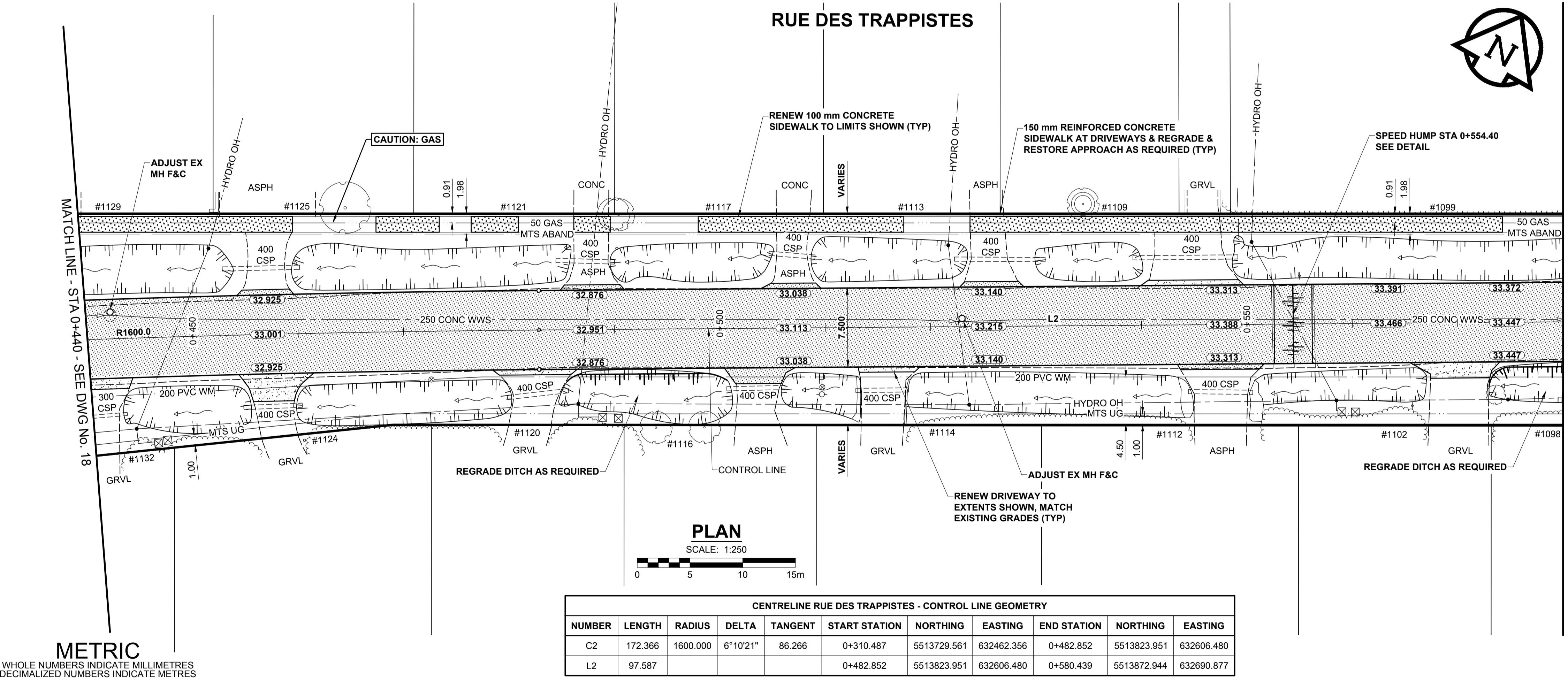
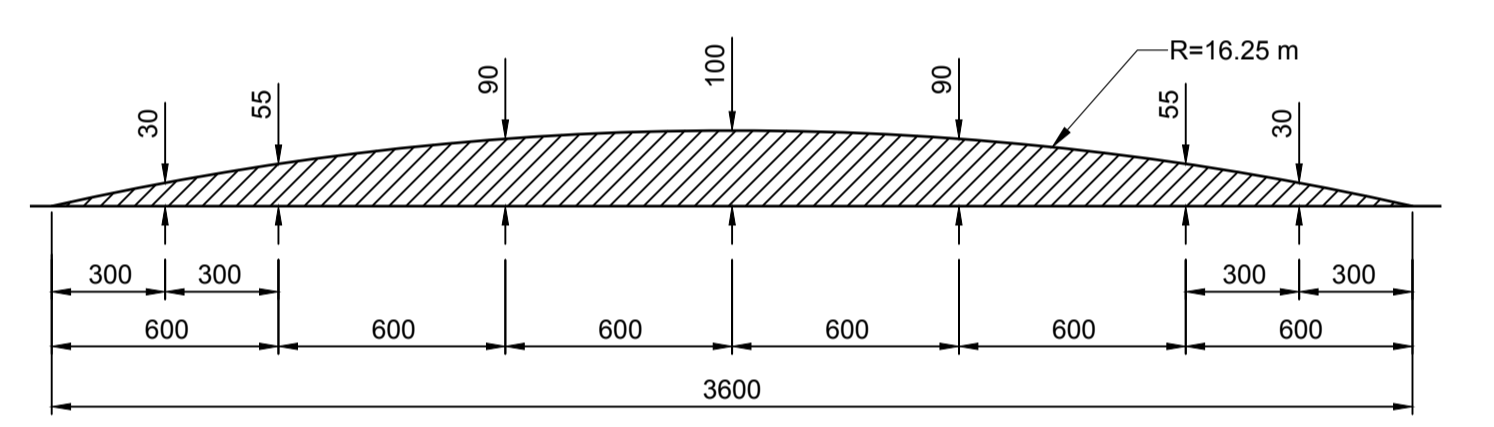


- NOTES**
- ADJUST MH AND CB RIMS TO NEW GRADES.
 - CONTRACTOR TO REGRADE/RENEW EXISTING PRIVATE SIDEWALKS TO LIMITS AS SHOWN. SIDEWALKS TO BE RENEWED WITH CONCRETE UNLESS NOTED OTHERWISE.
 - CONTRACTOR TO TAKE PRECAUTIONARY STEPS TO PROTECT EXISTING TREES WITHIN THE LIMITS OF CONSTRUCTION FROM DAMAGE FROM CONSTRUCTION ACTIVITIES AS OUTLINED IN THE SPECIFICATIONS.
 - MODIFIED BARRIER CURB TO BE CONSTRUCTED AT ALL INTERSECTION RADII, BACK LANE RADII AND BULLNOSES.
 - CONTRACTOR TO CONFIRM THE LOCATION OF ALL UTILITIES/SERVICES IN THE FIELD PRIOR TO CONSTRUCTION.
 - ADD 200.000m TO ABBREVIATED ELEVATIONS TO OBTAIN GEODETIC ELEVATIONS.
 - ALL DIMENSIONS TO BACK OF CURB/EDGE OF ASPHALT.

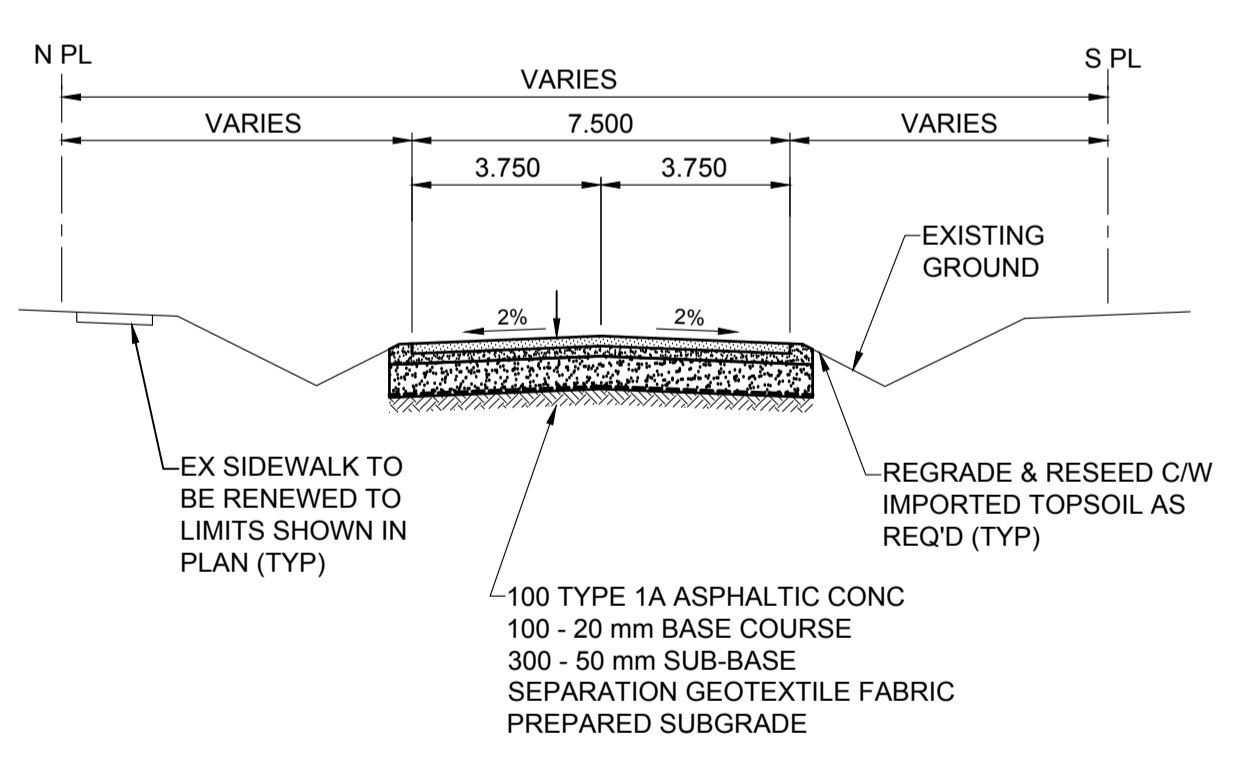
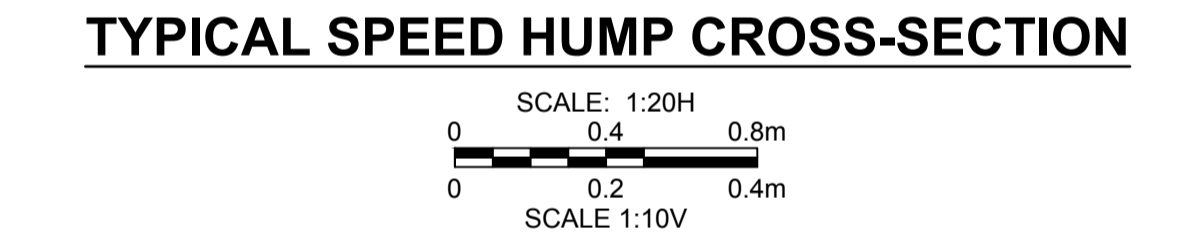


CENTRELINE RUE DES TRAPPISTES - CONTROL LINE GEOMETRY

NUMBER	LENGTH	RADIUS	DELTA	TANGENT	START STATION	NORTHING	EASTING	END STATION	NORTHING	EASTING
C2	172.366	1600.000	6°10'21"	86.266	0+310.487	5513729.561	632462.356	0+482.852	5513823.951	632606.480
L2	97.587				0+482.852	5513823.951	632606.480	0+580.439	5513872.944	632690.877



NOTE:
1. THE SPEED HUMP SHALL HAVE A SEMI-CIRCULAR CROSS-SECTION AS SHOWN.



METRIC
WHOLE NUMBERS INDICATE MILLIMETRES
DECIMALIZED NUMBERS INDICATE METRES

EXISTING	LEGEND - PLAN	NEW	EXISTING	LEGEND - PLAN	NEW	EXISTING	LEGEND - PLAN	NEW	
	GAS		MANHOLE		CONCRETE PAVEMENT		LOCATION APPROVED		BM 88-029
	MTS HANDWELL/PEDESTAL		CATCH BASIN/CATCH PIT		CONC SIDEWALK/MEDIAN		UNDERGROUND STRUCTURES		ELEV 231.421 m
	HYDRO HANDWELL/CABINET		CURB INLET WITH BOX		ASPHALT PAVEMENT		SUPR. UG STRUCTURES COMMITTEE		W. of W. wall & 22.0 m N. of N. wall of attached garage on N. side of No. 2 Rue Du Monastere.
	CATV/FIBRE OPTIC		TREE		PAVING STONE		DATE		M. of M. of No. 2 Rue Du Monastere
	TRAFFIC SIGNALS/PIT		TEST HOLE		GRAVEL		NOTE:		MORRISON HERSHFIELD
	LAND DRAINAGE SEWER		PROPERTY LINE		RAMP CURB		LOCATION OF UNDERGROUND STRUCTURES AS SHOWN ARE BASED ON THE BEST INFORMATION AVAILABLE BUT NO GUARANTEE IS GIVEN THAT ALL EXISTING UTILITIES ARE SHOWN OR THAT THE GIVEN LOCATIONS ARE EXACT. CONFIRMATION OF EXISTENCE AND EXACT LOCATION OF ALL SERVICES MUST BE OBTAINED FROM THE INDIVIDUAL UTILITIES BEFORE PROCEEDING WITH CONSTRUCTION.		G.F. COOLIDGE
	SANITARY/COMBINED SEWER		SURVEY BAR		PLANING/REMOVAL		ORIGINAL SIGNED		REGISTERED PROFESSIONAL ENGINEER
	CB LEAD/SSP/DCP		FENCE				CONSULTANT FILE NAME		THE CITY OF WINNIPEG
	WATERMAIN		BOC/EDGE OF PAVEMENT				DESIGNED BY		PUBLIC WORKS DEPARTMENT
	SUBDRAIN		ELEVATION				DRAWN BY		ENGINEERING DIVISION
	DITCH		TRAFFIC SIGN				CHECKED BY		RUE DES TRAPPISTES
	LEGEND - PLAN		LEGEND - PLAN				RELEASED FOR CONSTRUCTION		COULEE CULVERT REPLACEMENT AND ROAD RECONSTRUCTION
	LEGEND - PLAN		LEGEND - PLAN				HOR SCALE		RUE DES TRAPPISTES
	LEGEND - PLAN		LEGEND - PLAN				VERT SCALE		HORIZONTAL AND VERTICAL ALIGNMENT
	LEGEND - PLAN		LEGEND - PLAN				DATE		STA 0+440 TO STA 0+580

LOCATION APPROVED UNDERGROUND STRUCTURES

DATE: _____

NOTE: LOCATION OF UNDERGROUND STRUCTURES AS SHOWN ARE BASED ON THE BEST INFORMATION AVAILABLE BUT NO GUARANTEE IS GIVEN THAT ALL EXISTING UTILITIES ARE SHOWN OR THAT THE GIVEN LOCATIONS ARE EXACT. CONFIRMATION OF EXISTENCE AND EXACT LOCATION OF ALL SERVICES MUST BE OBTAINED FROM THE INDIVIDUAL UTILITIES BEFORE PROCEEDING WITH CONSTRUCTION.

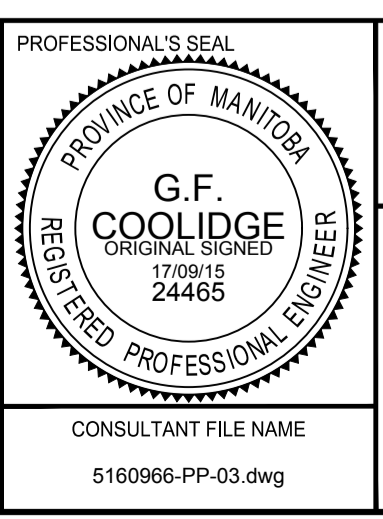
MORRISON HERSHFIELD

DESIGNED BY: GFC
CHECKED BY: RPB

DRAWN BY: DML
APPROVED BY: BWB

HOR SCALE: 1:250
VERT SCALE: 1:10

ISSUED FOR TENDER: 17/09/15
DATE: 17/08/04



THE CITY OF WINNIPEG
PUBLIC WORKS DEPARTMENT
ENGINEERING DIVISION

RUE DES TRAPPISTES AT WESTENDORF COULEE CULVERT REPLACEMENT AND ROAD RECONSTRUCTION

CITY DRAWING NUMBER: N/A
SHEET 19 OF 22
DRAWING No. REV 19 0

CONSULTANT FILE NAME: 5160966-PP-03.dwg

BID OPPORTUNITY No. 698-2017