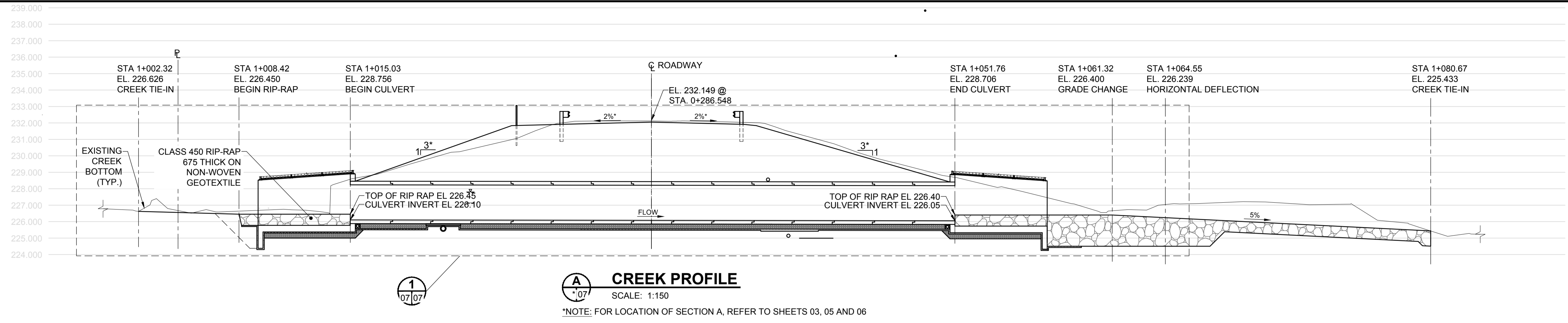
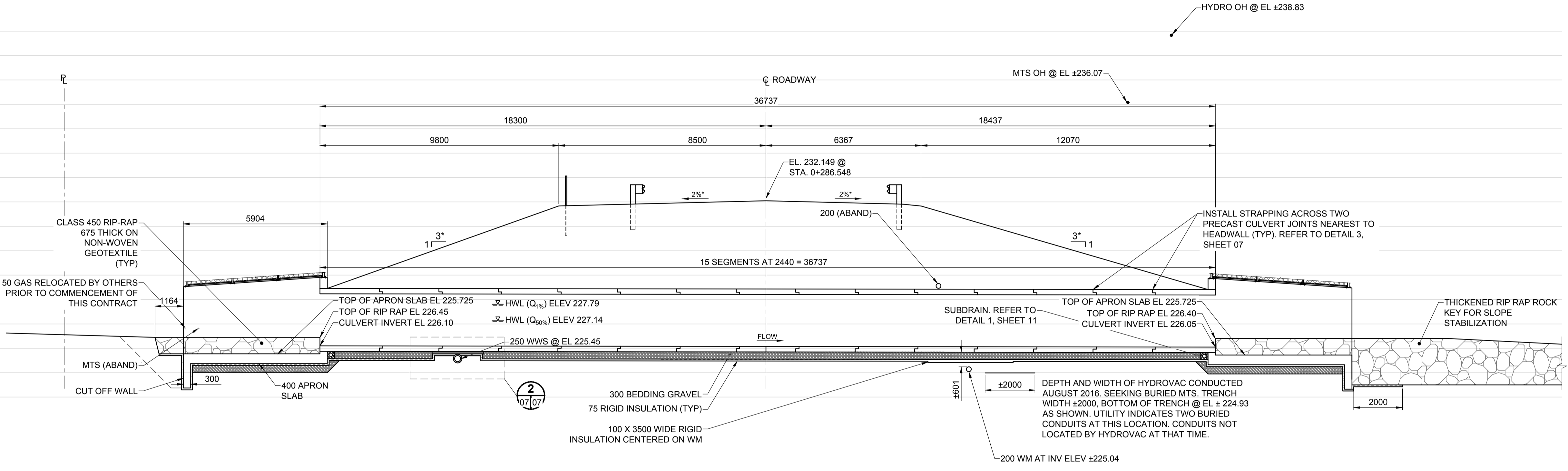


ISO A1 - 594mm x 841mm  
 Last Saved: 8/17/2017 8:27 PM by mshabbir  
 M:\Proj\15160966\09\_Drawing\05\_Design\06\_Sheets\Detailed Design\15160966-ELEV&SEC-1-07.dwg

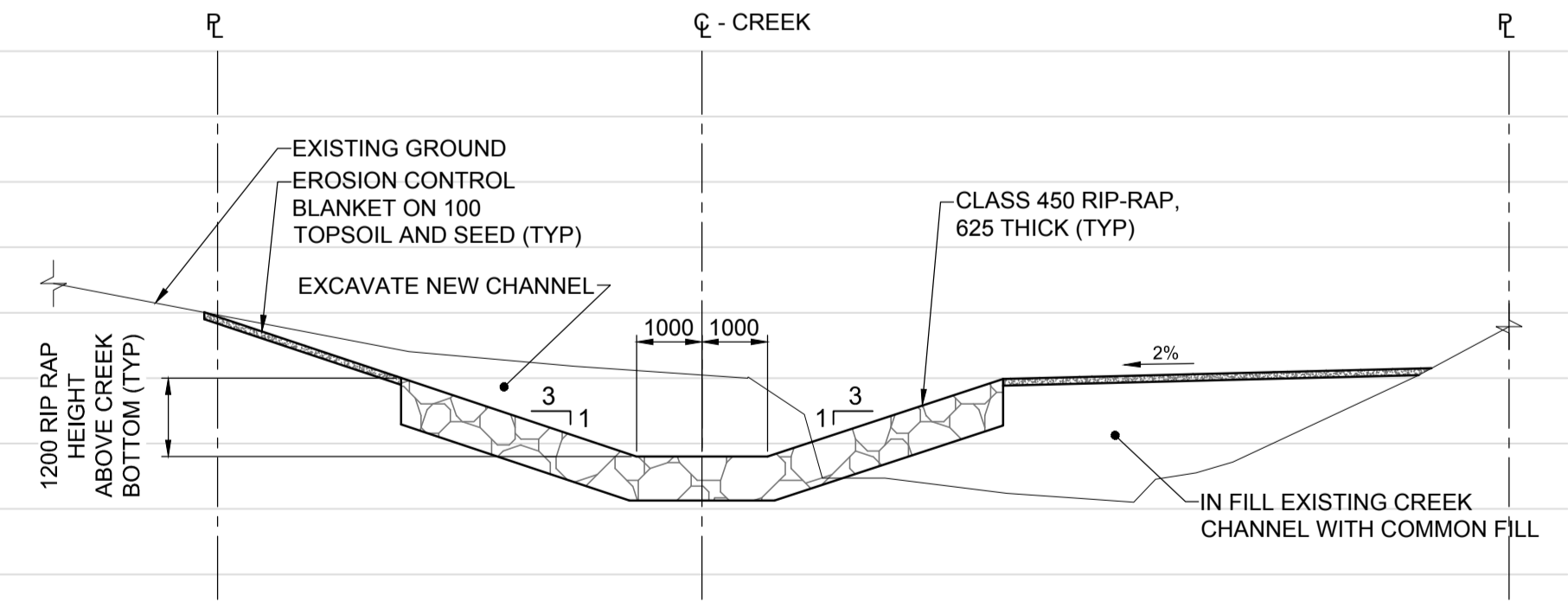


**A CREEK PROFILE**  
 SCALE: 1:150  
 NOTE: FOR LOCATION OF SECTION A, REFER TO SHEETS 03, 05 AND 06

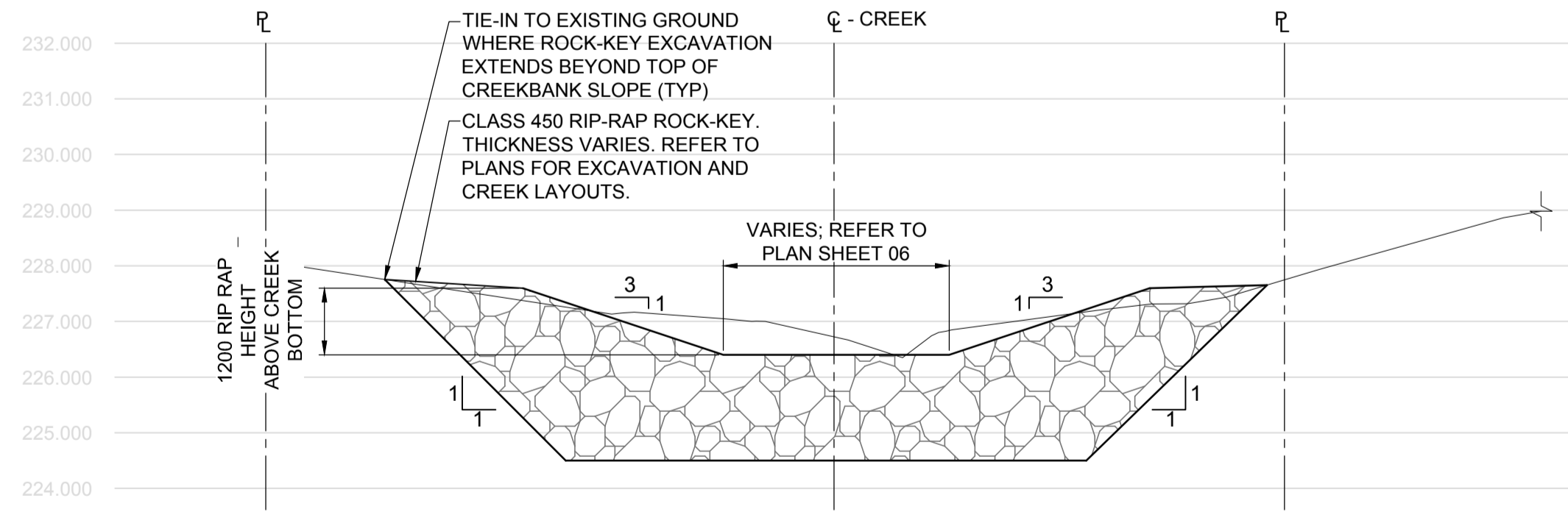


**1 DETAIL - CULVERT ELEVATION**  
 SCALE: 1:100

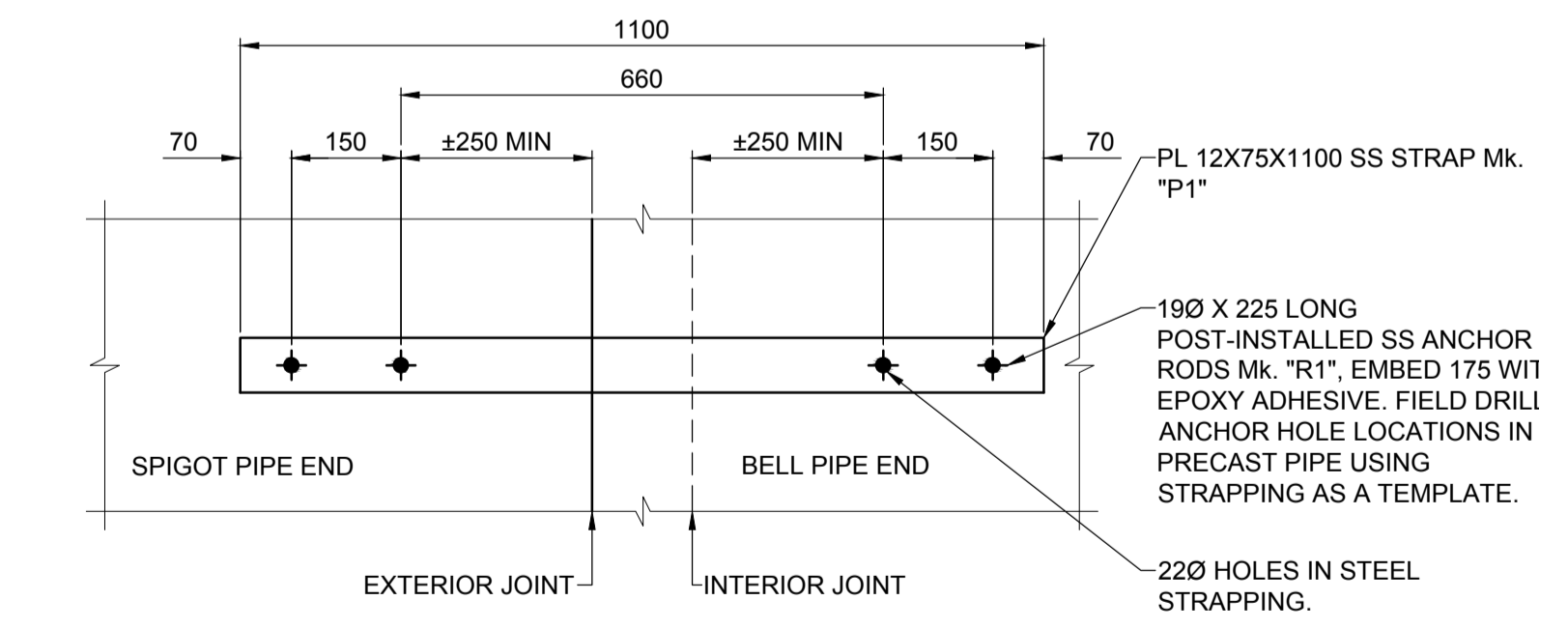
NOTE:  
 1. EMBANKMENT SLOPES SHOWN ARE PERPENDICULAR TO THE C ROADWAY. SLOPES VARY. REFER TO PLAN SHEET 06.  
 2. DESIGN CREEK FLOW ELEVATIONS SHOWN ARE FOR A LOW LA SALLE RIVER FLOW EVENT, WHERE THE LA SALLE RIVER IS IN FLOOD, THE ENTIRE CULVERT MAY BECOME SUBMERGED.  
 3. EXISTING 1600 CSP NOT SHOWN FOR CLARITY.



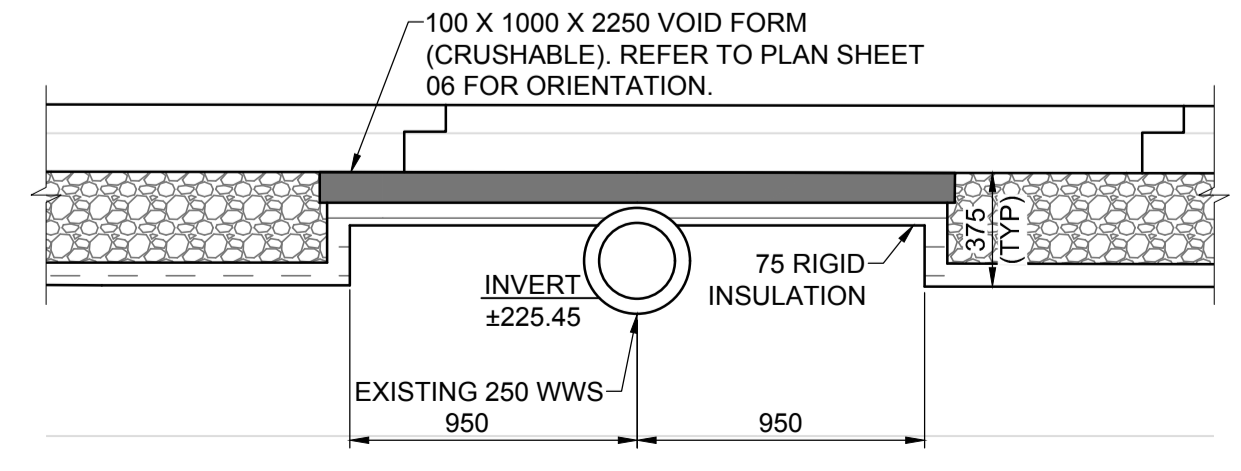
**E SECTION - CREEK DOWNSTREAM**  
 SCALE: 1:100  
 NOTE: FOR LOCATION OF SECTION E, REFER TO SHEETS 03, 05 AND 06



**F SECTION THROUGH ROCK-KEY**  
 SCALE: 1:100  
 NOTE: FOR LOCATION OF SECTION F, REFER TO SHEETS 03, 05 AND 06



**3 DETAIL - CULVERT PIPE JOINT STRAPPING**  
 SCALE: 1:10  
 NOTES:  
 1. INSTALL STRAPPING AT 2, 4, 8, AND 10 O'CLOCK, FOR A TOTAL OF FOUR STRAPS CROSSING EACH JOINT.



**2 DETAIL - PROPOSED CULVERT CROSSING OVER 250 WWS**  
 SCALE: 1:25

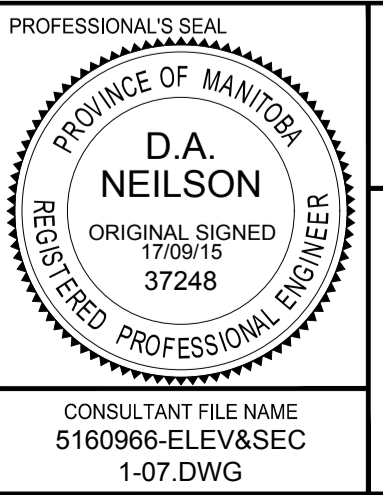


**METRIC**  
 WHOLE NUMBERS INDICATE MILLIMETRES  
 DECIMALIZED NUMBERS INDICATE METRES

**LOCATION APPROVED**  
 UNDERGROUND STRUCTURES  
 SUPR. U/G STRUCTURES COMMITTEE DATE  
 NOTE: LOCATION OF UNDERGROUND STRUCTURES AS SHOWN ARE BASED ON THE BEST INFORMATION AVAILABLE BUT NO GUARANTEE IS GIVEN THAT ALL EXISTING UTILITIES ARE SHOWN OR THAT THE GIVEN LOCATIONS ARE EXACT. CONFIRMATION OF EXISTENCE AND EXACT LOCATION OF ALL SERVICES MUST BE OBTAINED FROM THE INDIVIDUAL UTILITIES BEFORE PROCEEDING WITH CONSTRUCTION.

No.	REVISIONS	DATE	BY
0	ISSUED FOR TENDER	17/09/15	DAN

<b>MORRISON HERSHFIELD</b>	
DESIGNED BY: DAN	CHECKED BY: BE
DRAWN BY: MS	APPROVED BY: SAL
RELEASED FOR CONSTRUCTION	
HOR SCALE: AS SHOWN	VERT SCALE: AS SHOWN
DATE	DATE



**THE CITY OF WINNIPEG**  
 PUBLIC WORKS DEPARTMENT  
 ENGINEERING DIVISION  
 RUE DES TRAPPISTES AT WESTENDORF  
 COULEE CULVERT REPLACEMENT AND  
 ROAD RECONSTRUCTION  
 CREEK PROFILE, CULVERT  
 ELEVATION, SECTIONS AND DETAILS I

CITY DRAWING NUMBER: C372-17-07  
 SHEET 07 OF 22  
 DRAWING No. 07  
 REV 0

BID OPPORTUNITY No. 698-2017