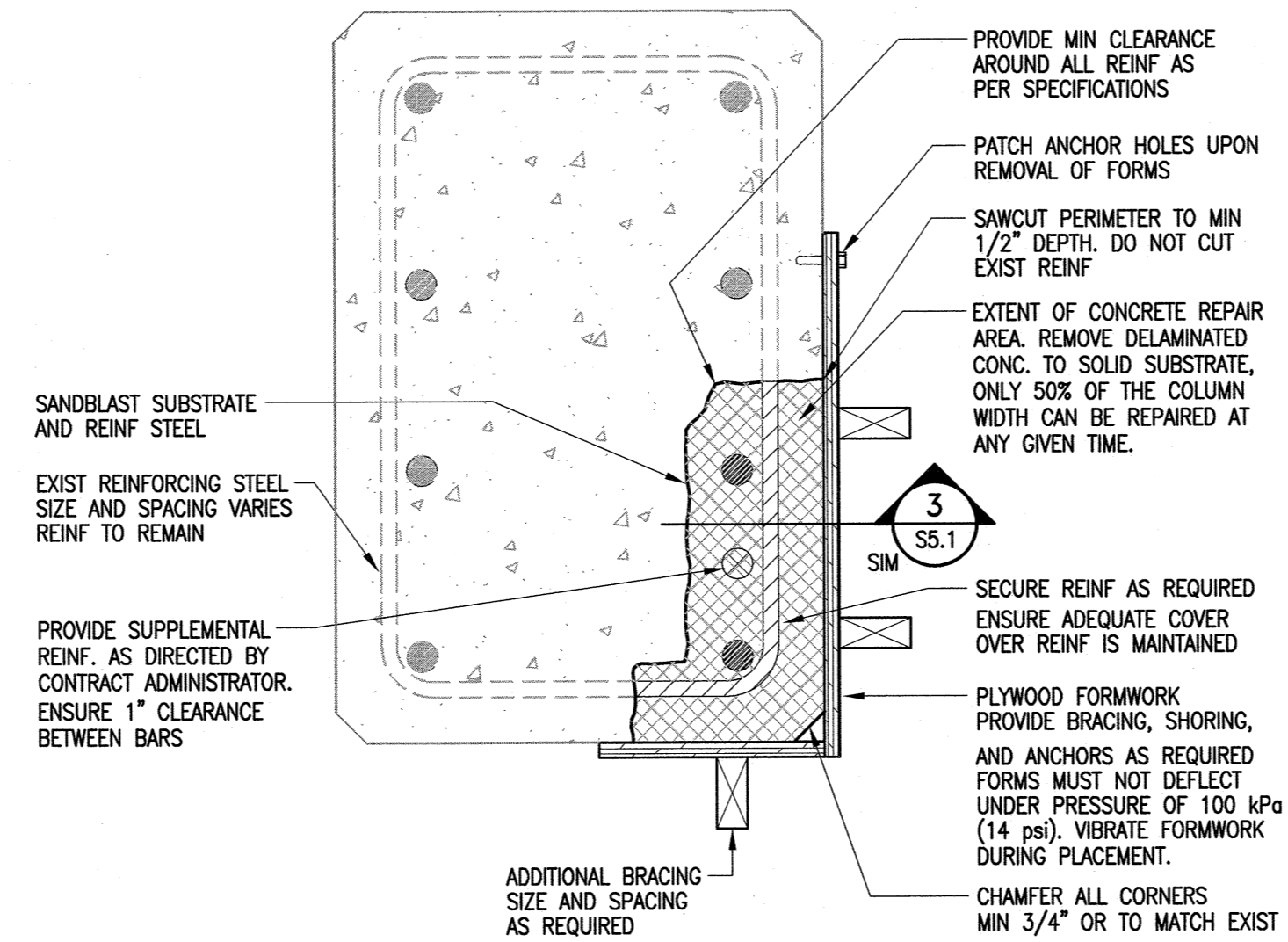
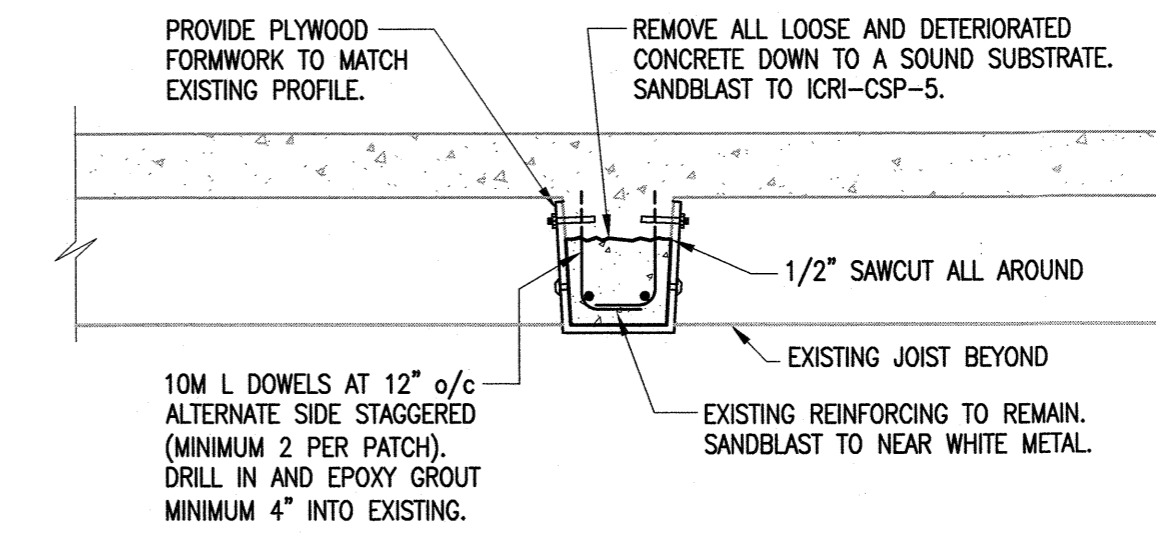


**1 TYPICAL BEAM PRESSURE GROUTING REPAIR**  
S5.1 N.T.S.

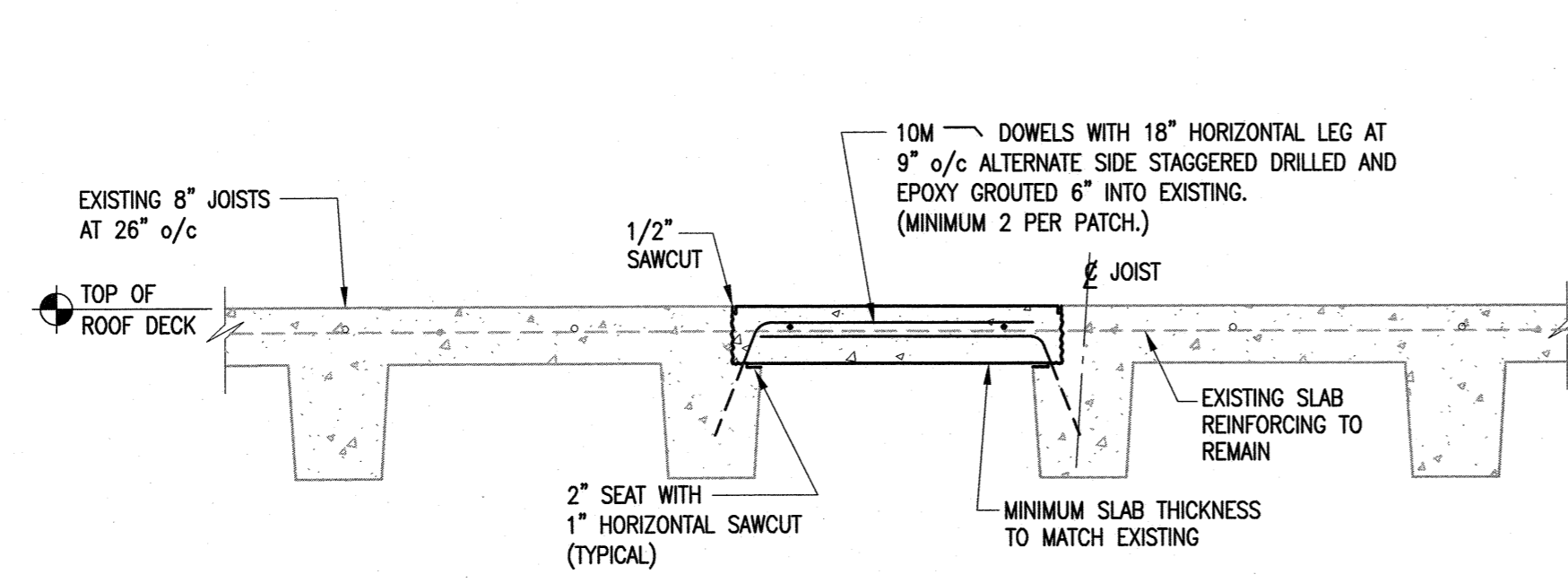
INSTALL TEMPORARY BEAM SHORING, SHORING REQUIREMENTS AND SETUP TO BE COORDINATED WITH CONTRACT ADMINISTRATOR



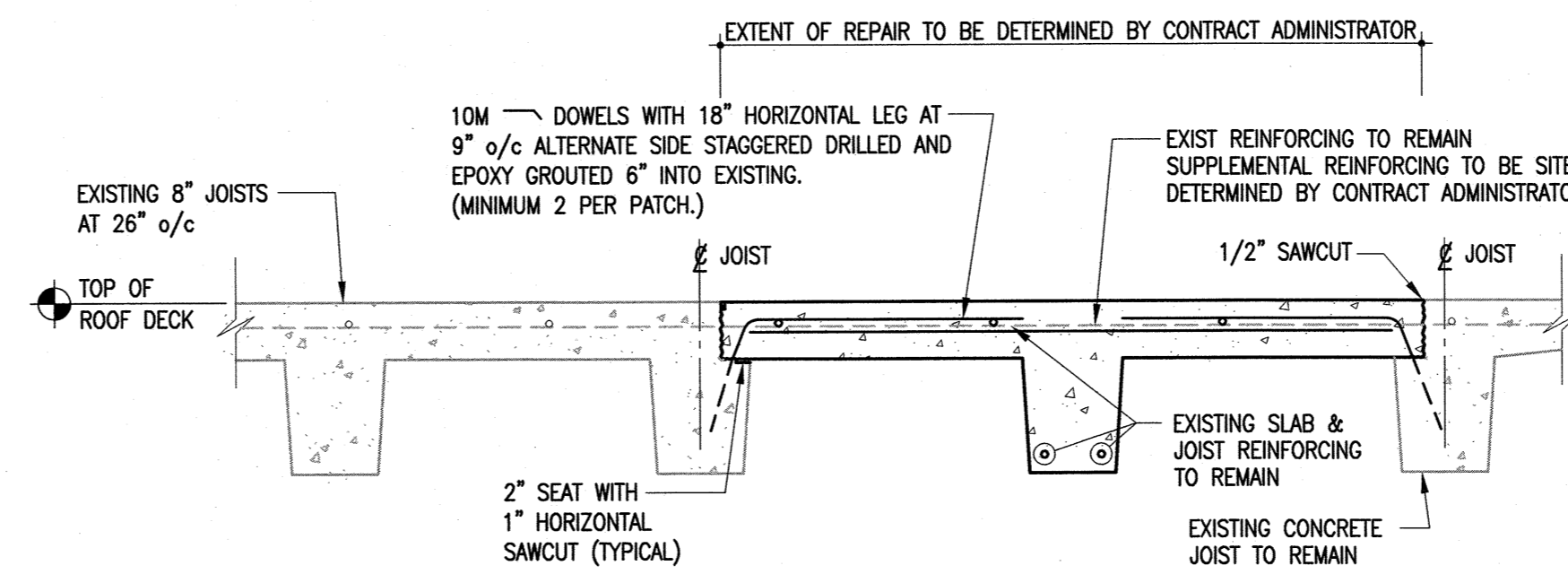
**2 TYPICAL FORM & POUR COLUMN REPAIR DETAIL**  
S5.1 N.T.S.



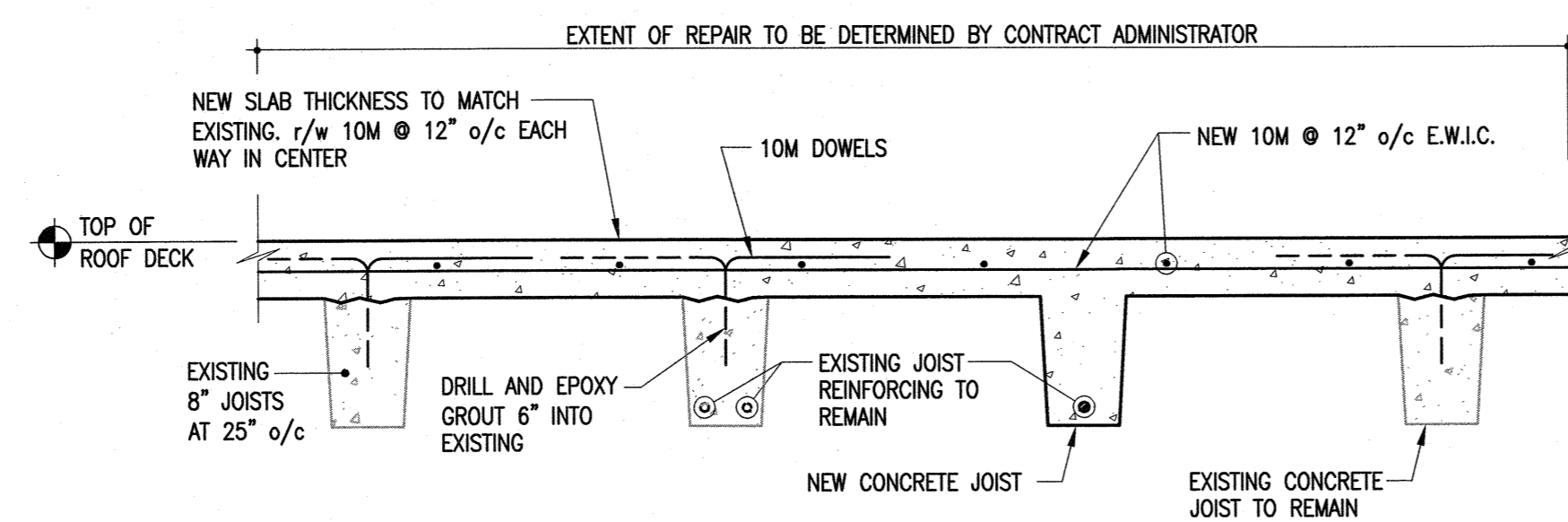
**3 JOIST PRESSURE GROUTING REPAIR**  
S5.1 N.T.S.



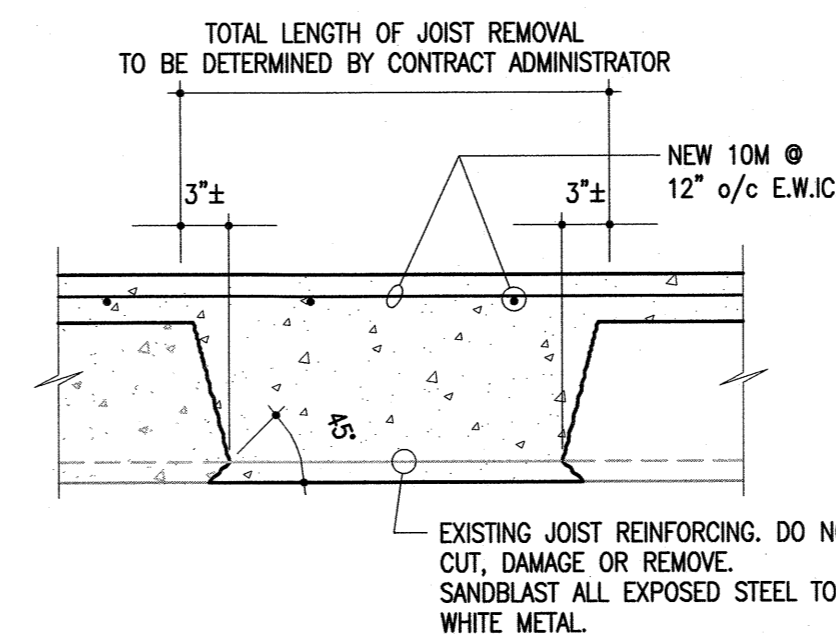
**A THRU SLAB REPAIR - SINGLE SPAN**  
S5.1 1" = 1'-0"



**B MULTIPLE SPAN THRU SLAB AND JOIST REPLACEMENT**  
S5.1 1" = 1'-0"



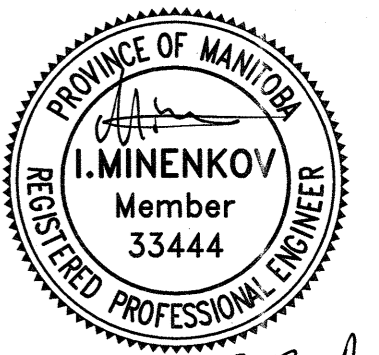
**C MULTIPLE SPAN THRU SLAB REPLACEMENT WITH OR WITHOUT JOIST REPLACEMENT**  
S5.1 1" = 1'-0"



**D TYPICAL JOIST REPAIR DETAIL**  
S5.1 1" = 1'-0"

The General Contractor shall check & verify all dimensions and report any errors or omissions to the designers.

No.	Date	Issue/Revision	By
0	2017-08-15	ISSUED FOR CONSTRUCTION	IM



2017 Aug 15

Consultant

300-275 Carlton Street  
Winnipeg, Manitoba R3C 5R6  
T 204-943-7501  
F 204-943-7507

**Crosier Kilgour & Partners Ltd.**  
CONSULTING STRUCTURAL ENGINEERS

Project  
**WINNIPEG TRANSIT NORTH GARAGE**  
2017 STRUCTURAL REPAIRS  
1520 MAIN STREET  
WINNIPEG, MANITOBA

Sheet Title  
TYPICAL SECTIONS AND DETAILS

File	Date
2017-0210	2017-08-15
Design	Drawn
IM	LL
Revision	Sheet No.
0	S5.1