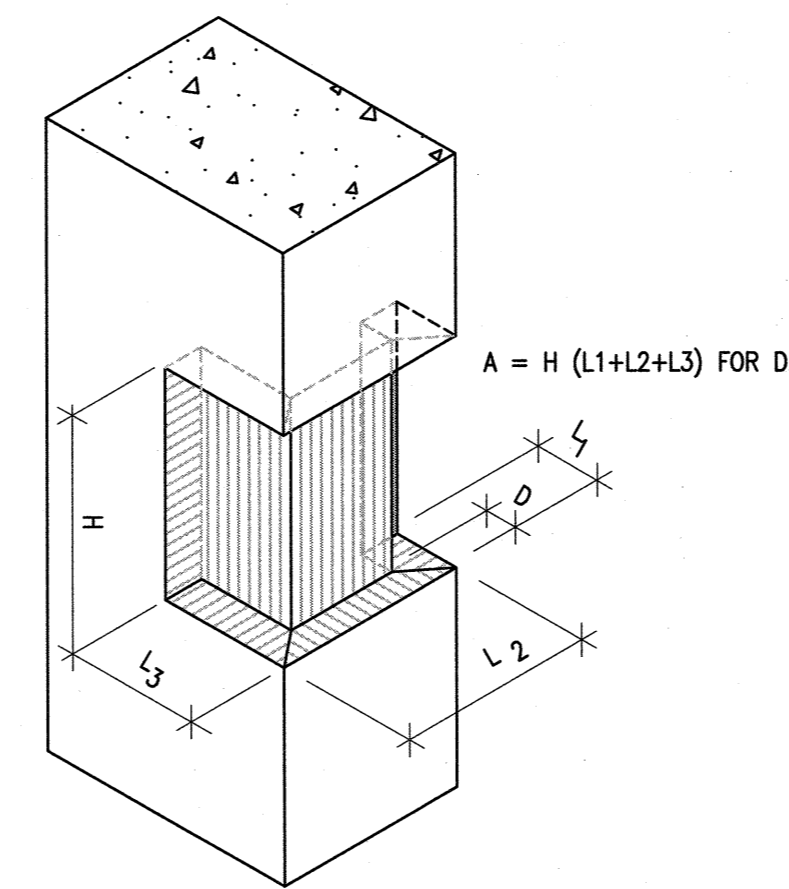
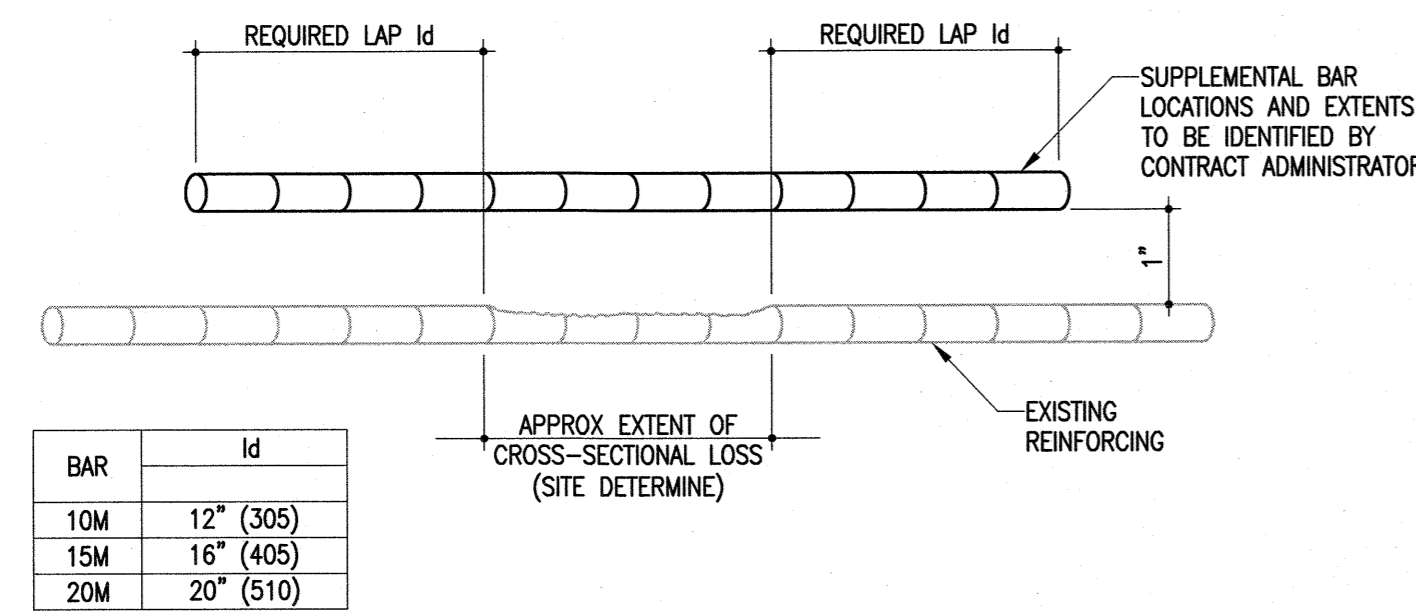


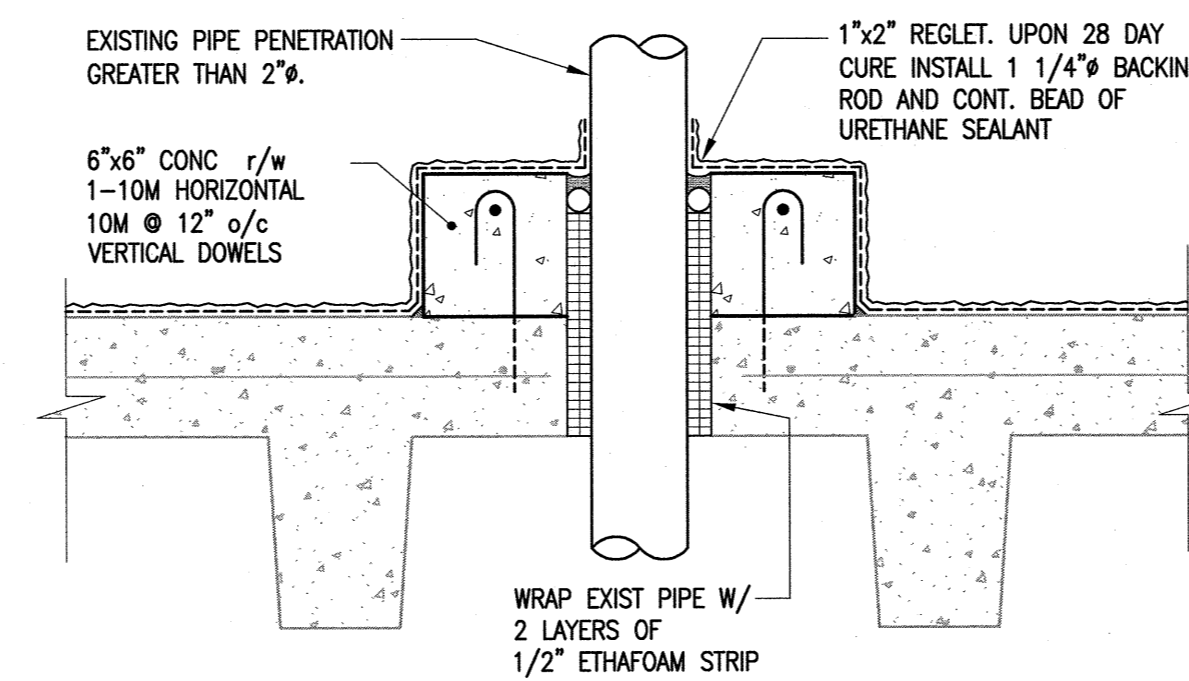
A TYPICAL SURFACE PREPARATION OF DELAMINATED CONCRETE
S5.2 SCALE: NTS



B MEASUREMENT PROCEDURES FOR BEAMS AND COLUMNS
S5.2 SCALE: NTS



C REINFORCING BAR SPLICE DETAIL
S5.2 SCALE: NTS



D TYPICAL PIPE SLEEVE
S5.2 N.T.S.

The General Contractor shall check & verify all dimensions and report any errors or omissions to the designers.

0	2017-08-15	ISSUED FOR CONSTRUCTION	IM
No.	Date	Issue/Revision	By

APEGM
Certificate of Authorization
Crosier Kilgour & Partners Ltd.
No. 235 Date: 2017-08-15

PROVINCE OF MANITOBA
I. MINENKOV
Member
33444
REGISTERED PROFESSIONAL ENGINEER
2017 Aug 15

Consultant

300-275 Carlton Street
Winnipeg, Manitoba R3C 5R6
T 204. 943. 7501
F 204. 943. 7507

Crosier Kilgour & Partners Ltd.
CONSULTING STRUCTURAL ENGINEERS

Project
WINNIPEG TRANSIT
NORTH GARAGE
2017 STRUCTURAL REPAIRS
1520 MAIN STREET
WINNIPEG, MANITOBA

Sheet Title
TYPICAL SECTIONS AND DETAILS

File	2017-0210	Date	2017-08-15
Design	IM	Drawn	LL
Revision	0	Sheet No.	S5.2