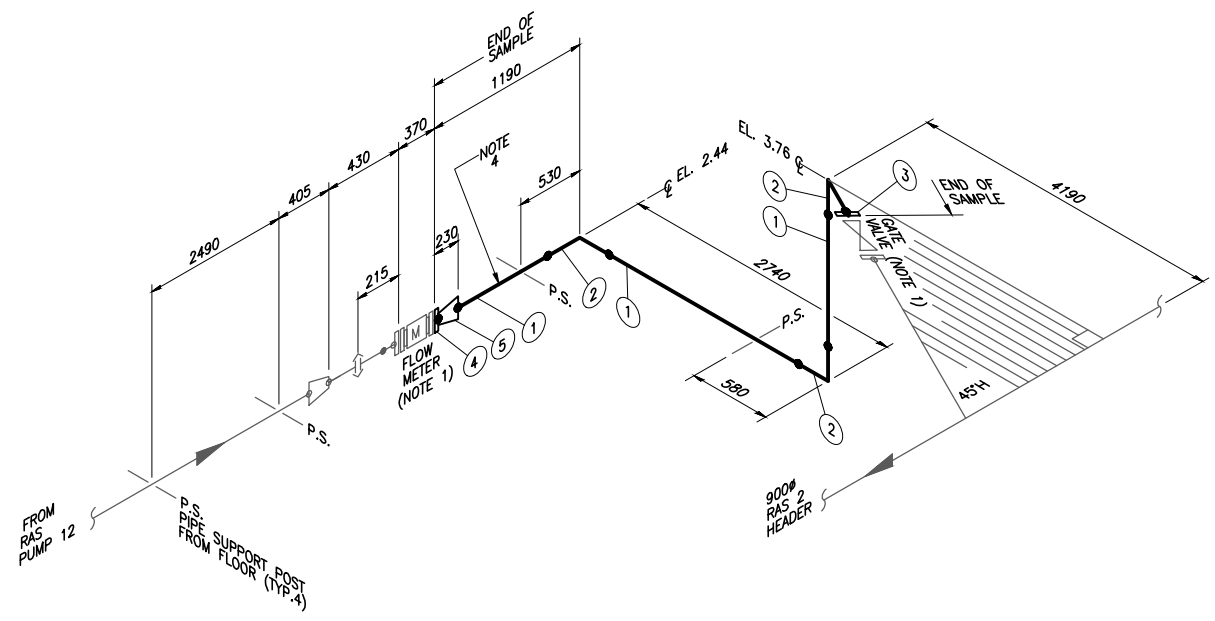
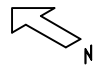


File name: \\k-file-4-p-data\Projects\2016\16-0107-023\Dwg\Mech\16-0107-023_ISO-003 - Tab:ISO-003 Plotted By: rperalta 17/12/07 [Thu 3:12pm] 8.5x11 PLOT SCALE: 1:2

8.5x11




EXISTING SAMPLE COMPONENTS

- ① PIPE, 300#
- ② 90 ELBOW, LR, 300#
- ③ SLIP-ON FLANGE, 150#, 300#
- ④ SLIP-ON FLANGE, 150#, 250#
- ⑤ CONCENTRIC REDUCER, 300x250

NOTES:

1. PROVIDE TEMPORARY SUPPORTS AT POINTS OF SAMPLE DISCONNECTION TO PREVENT STRAIN ON EXISTING PIPING DURING SAMPLE REMOVAL AND REPLACEMENT.
2. DIMENSIONS SHOWN ARE APPROXIMATE. FIELD CONFIRM ALL DIMENSIONS AND EXISTING CONDITIONS.
3. LINEAL DIMENSIONS AND NOMINAL PIPE SIZES SHOWN IN MILLIMETERS, ELEVATIONS SHOWN IN METERS FROM LOCAL FLOOR LEVEL.
4. REPLACEMENT PIPING SHALL INCLUDE 50# LOW POINT DRAIN VALVE AT LOCATION SHOWN.

A	17/11/30	ISSUED FOR INFORMATION	-	-
NO.	YY/MM/DD	DESCRIPTION	DESIGN BY	DESIGN CHECK
REVISIONS / ISSUE				
KGS GROUP CONSULTING ENGINEERS		 THE CITY OF WINNIPEG WATER AND WASTE DEPARTMENT		
NEWPCC RAS PIPE ASSESSMENT PILOT INSPECTION PROGRAM				
SAMPLE 8 - EXISTING PIPING ISOMETRIC				
16-0107-023		ISO-003	REV: A	