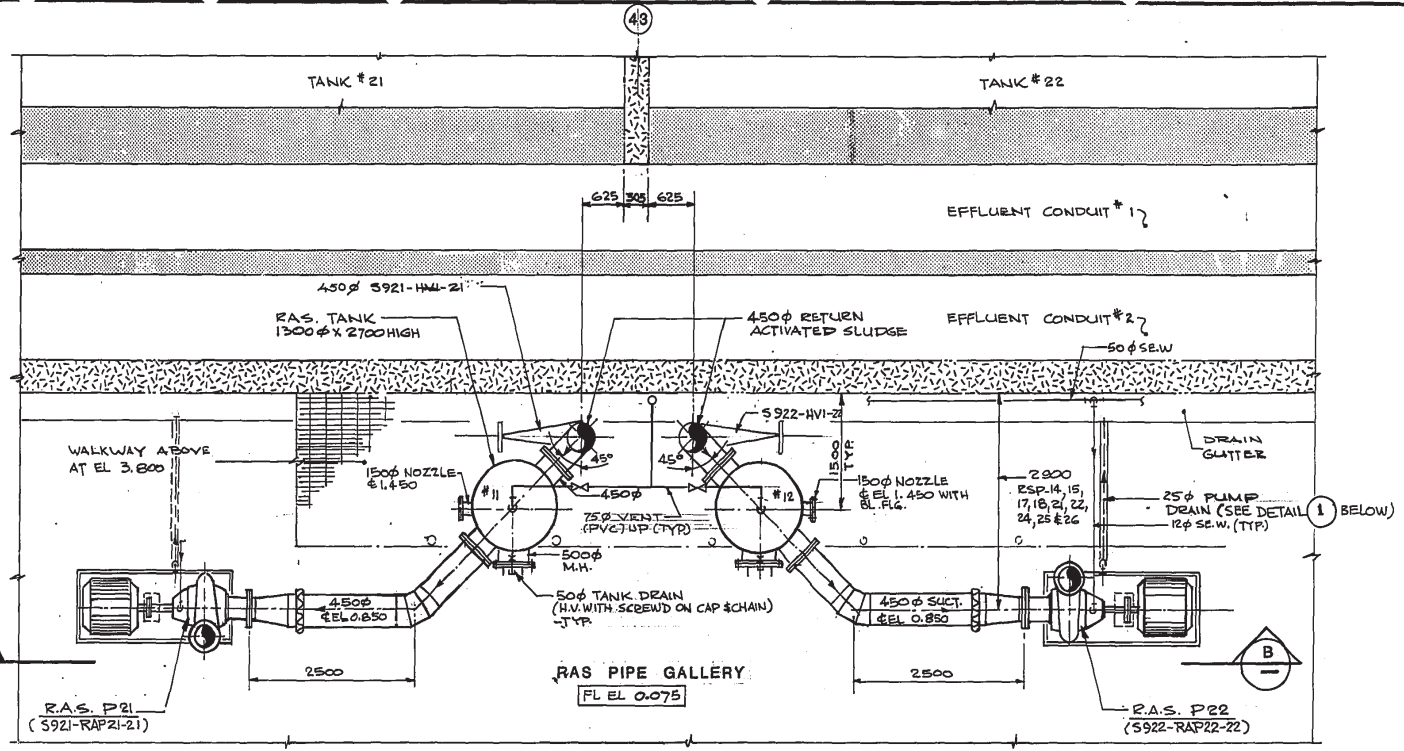
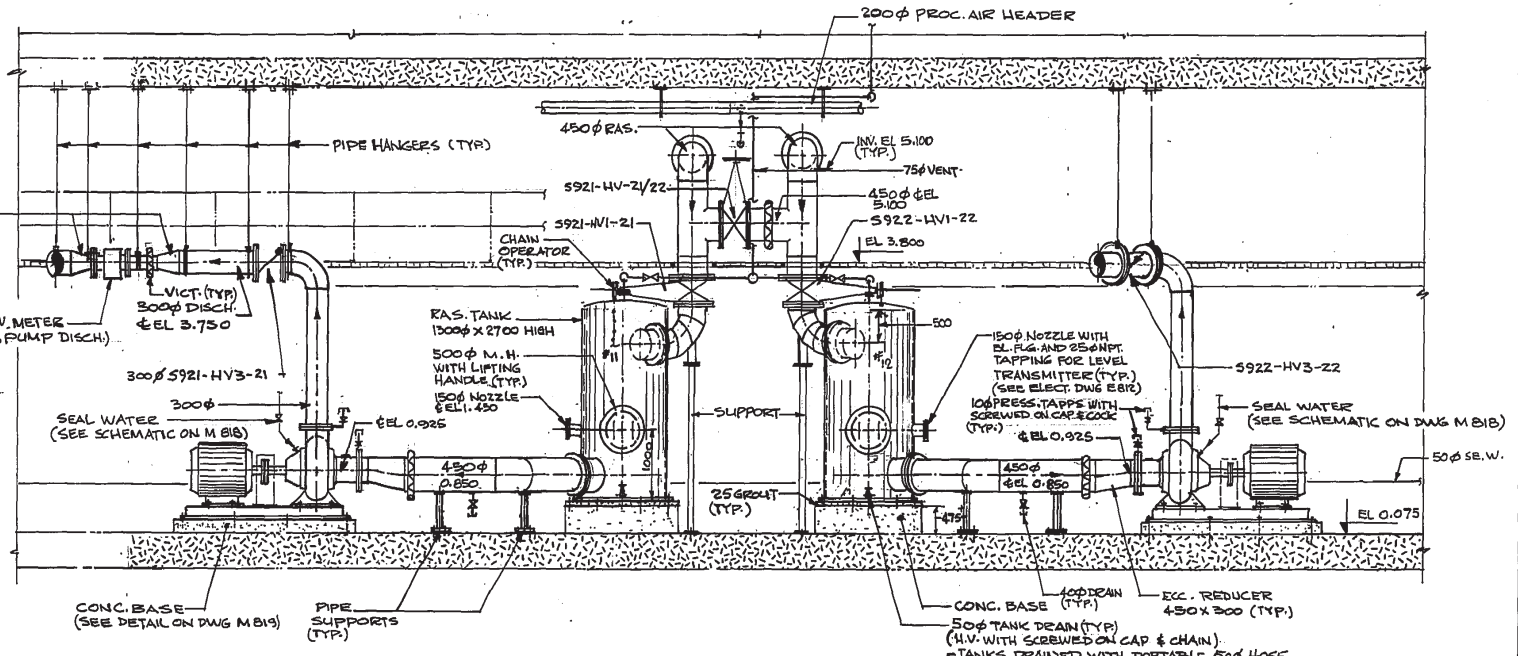
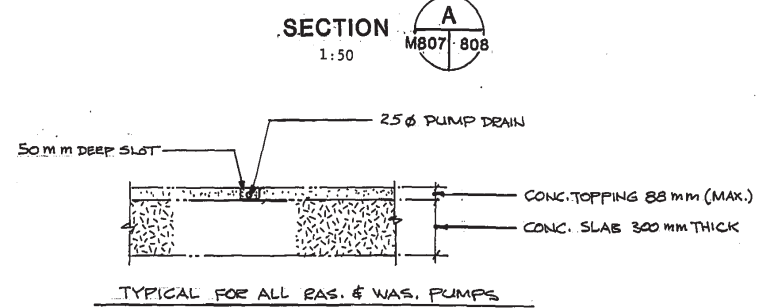
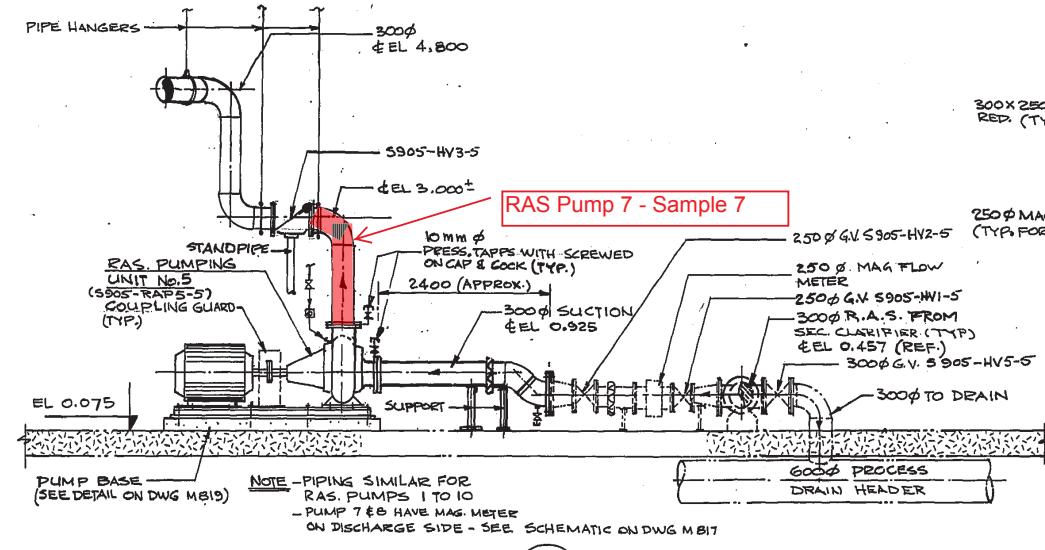


PART PLAN ABOVE EL 0.075
1:100



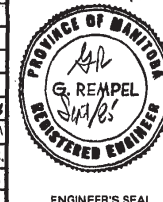
PART PLAN ABOVE EL 0.075
1:50



AS - BUILT

DATE	FB. NO.	PAGE
MAR. 86		

NO.	REVISIONS	DATE	APP.
4	AS CONSTRUCTED	MAR/86	[Signature]
3	ISSUED FOR TENDER	SEPT/85	[Signature]
2		MAR/86	[Signature]
1	FINAL REVIEW	23/1/84	[Signature]

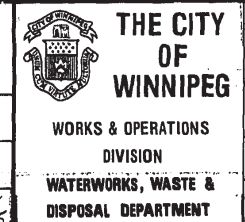


W.L. WARDROP & ASSOCIATES LTD.
MacLAREN ENGINEERS INC.

DESIGNED BY: RDI/V.M.
DRAWN BY: H.S.

CHECKED BY: G.A.
DATE: SEPT/1/85

APPROVED BY: [Signature]
DATE: Sept/85



METRIC
WHOLE NUMBERS INDICATE MILLIMETRES
DECIMALIZED NUMBERS INDICATE METRES

NORTH END WATER POLLUTION CONTROL CENTRE
SECONDARY TREATMENT EXPANSION
SECONDARY CLARIFIERS-MECHANICAL
RAS PIPE GALLERY
PART PIPE GALLERY ABOVE EL. 0.075 & SECTIONS

RELEASED FOR CONSTRUCTION: [Signature] DATE: 10/2/85
1985 0912

SCALE: AS SHOWN
DRAWING NO.: NEP 1414