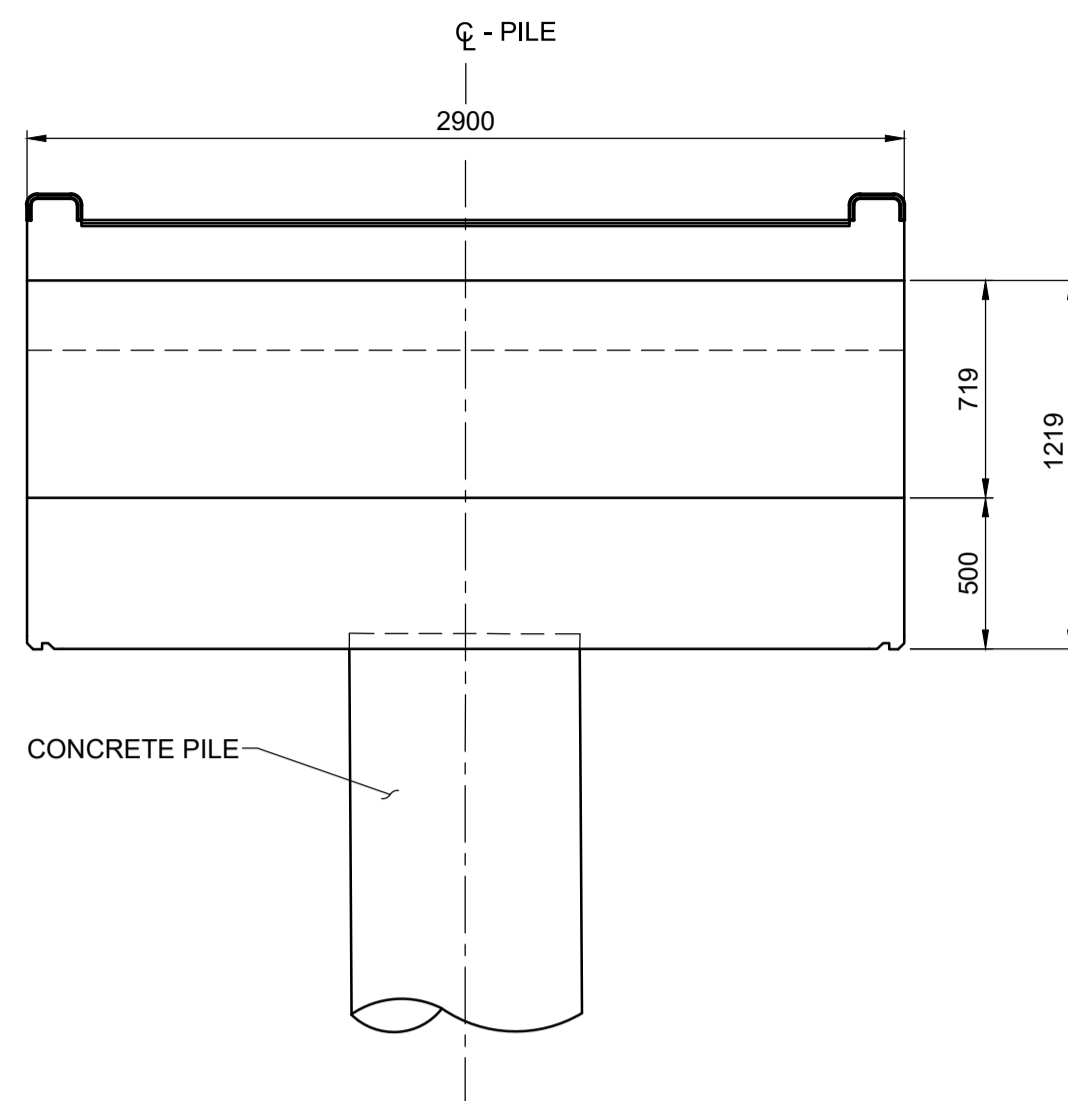
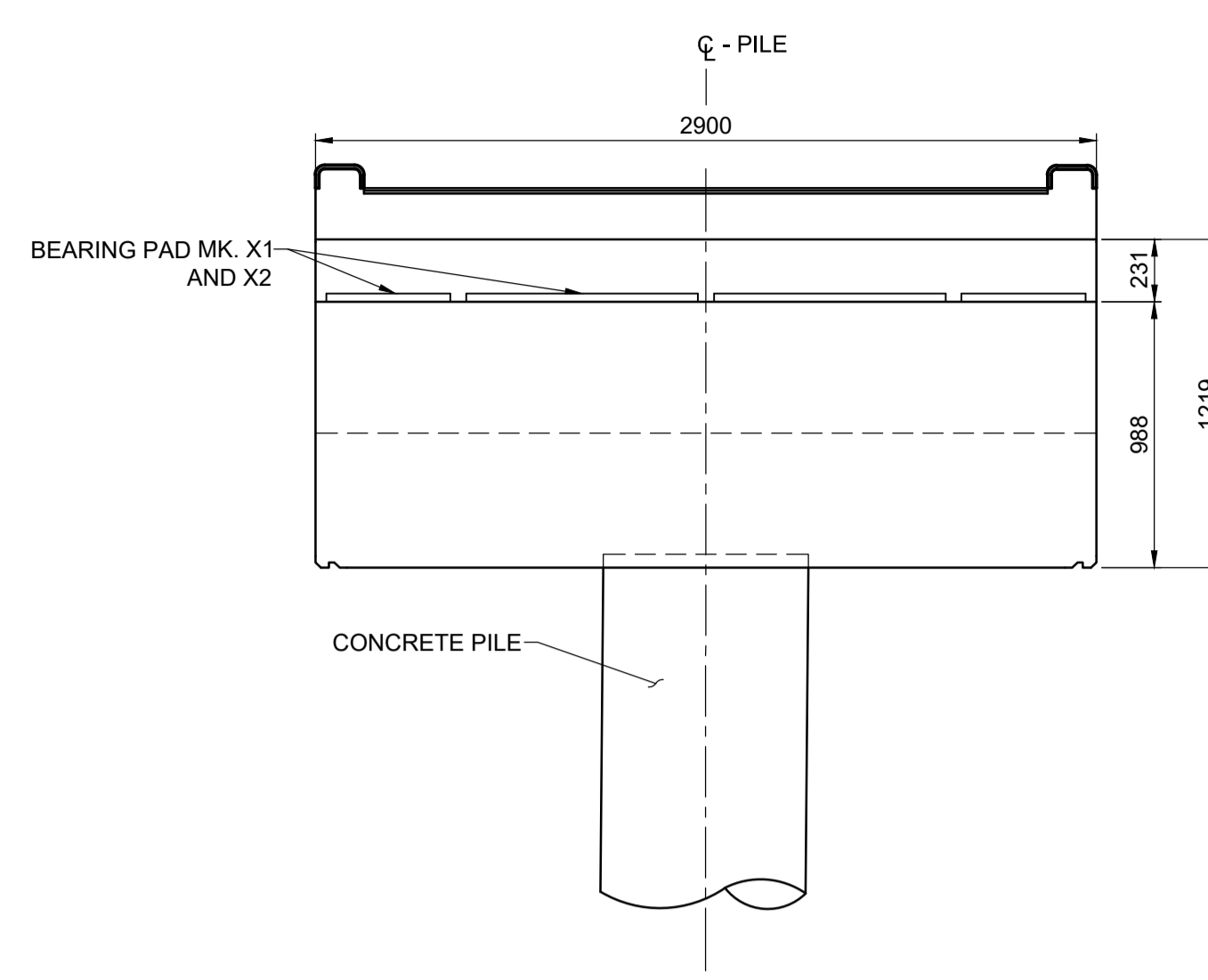


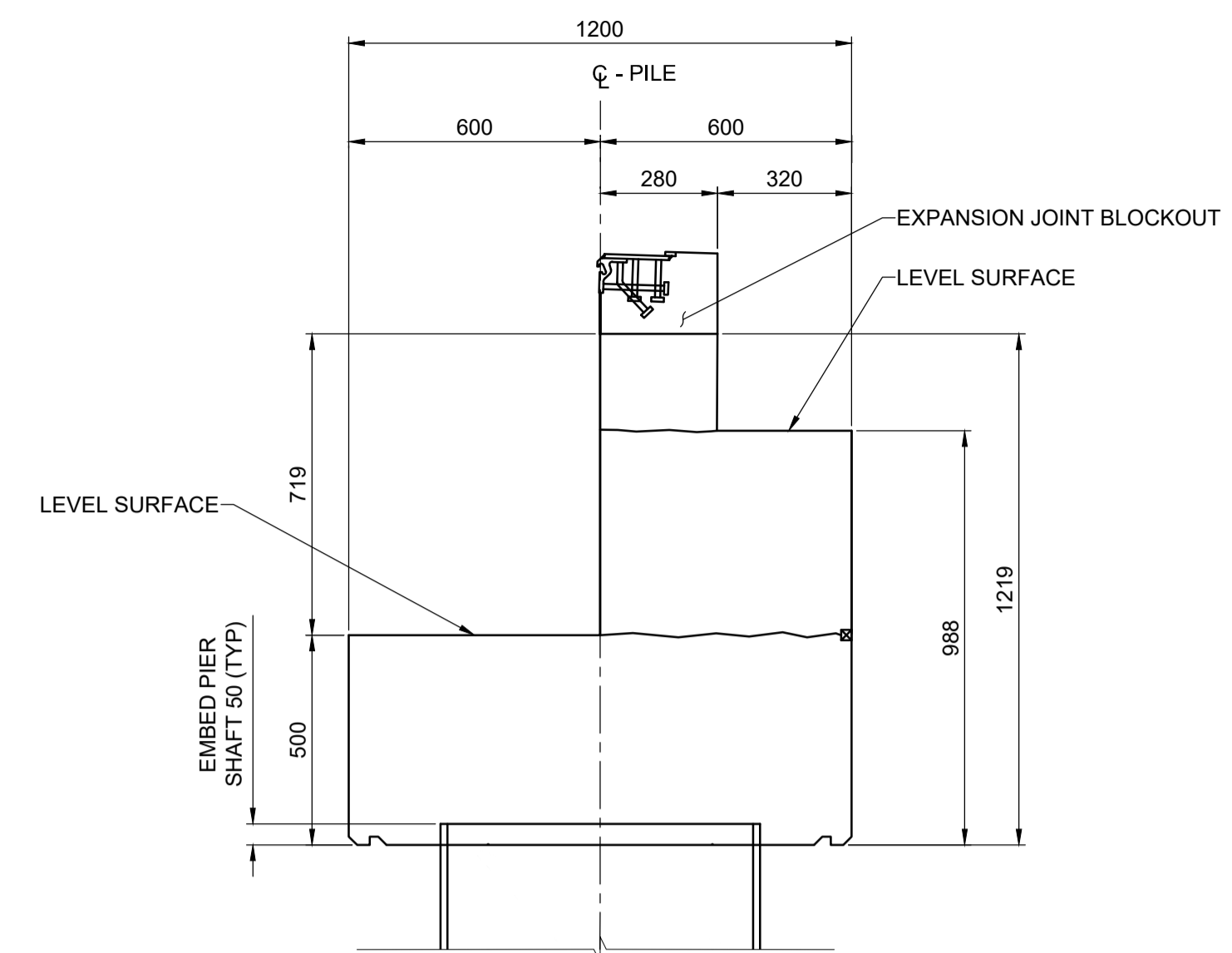
SU2 & SU9 PLAN
SCALE: 1:25



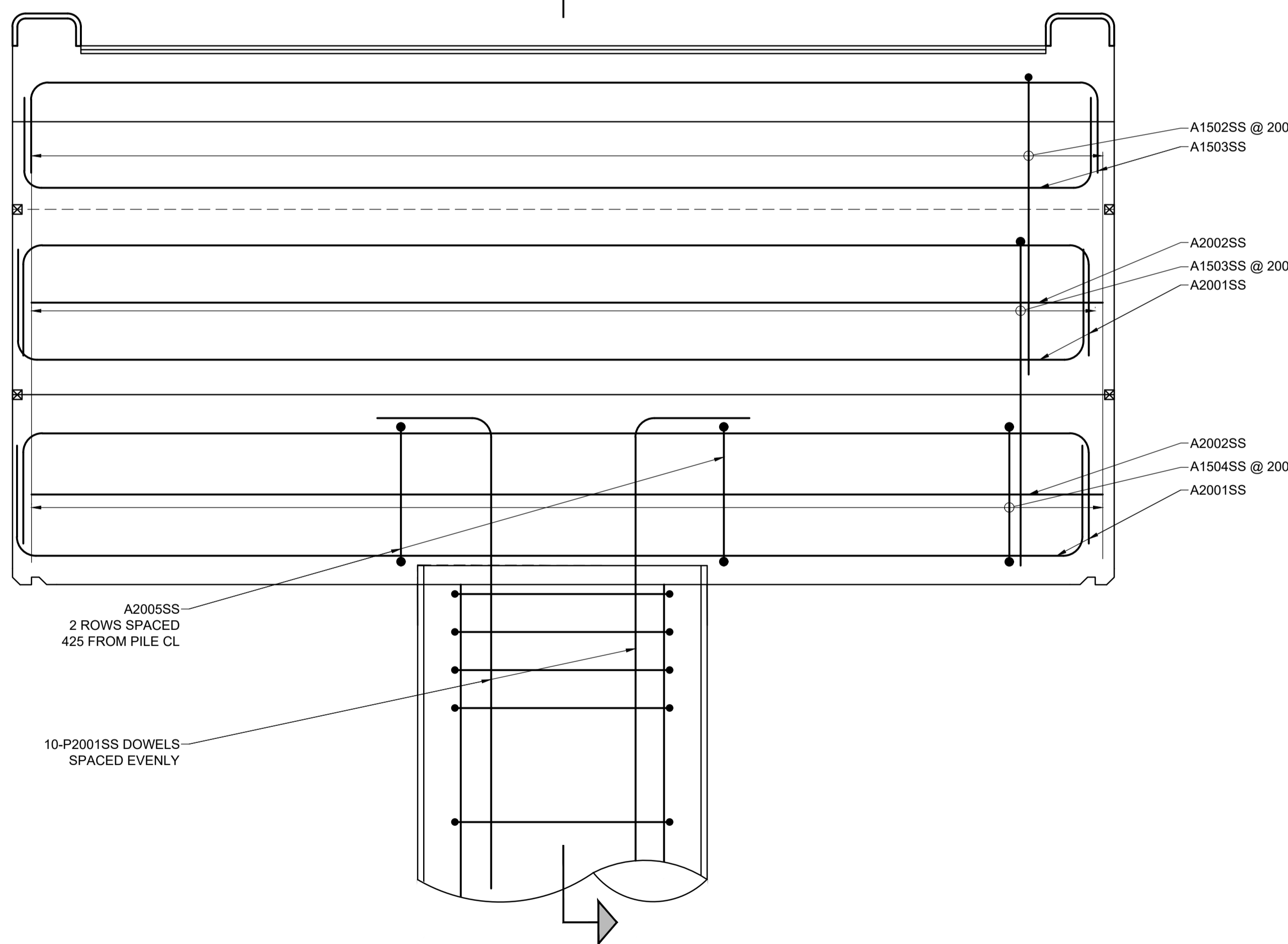
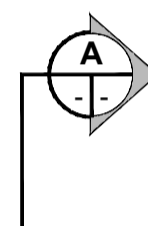
SU2 & SU9 FRONT ELEVATION
SCALE: 1:25



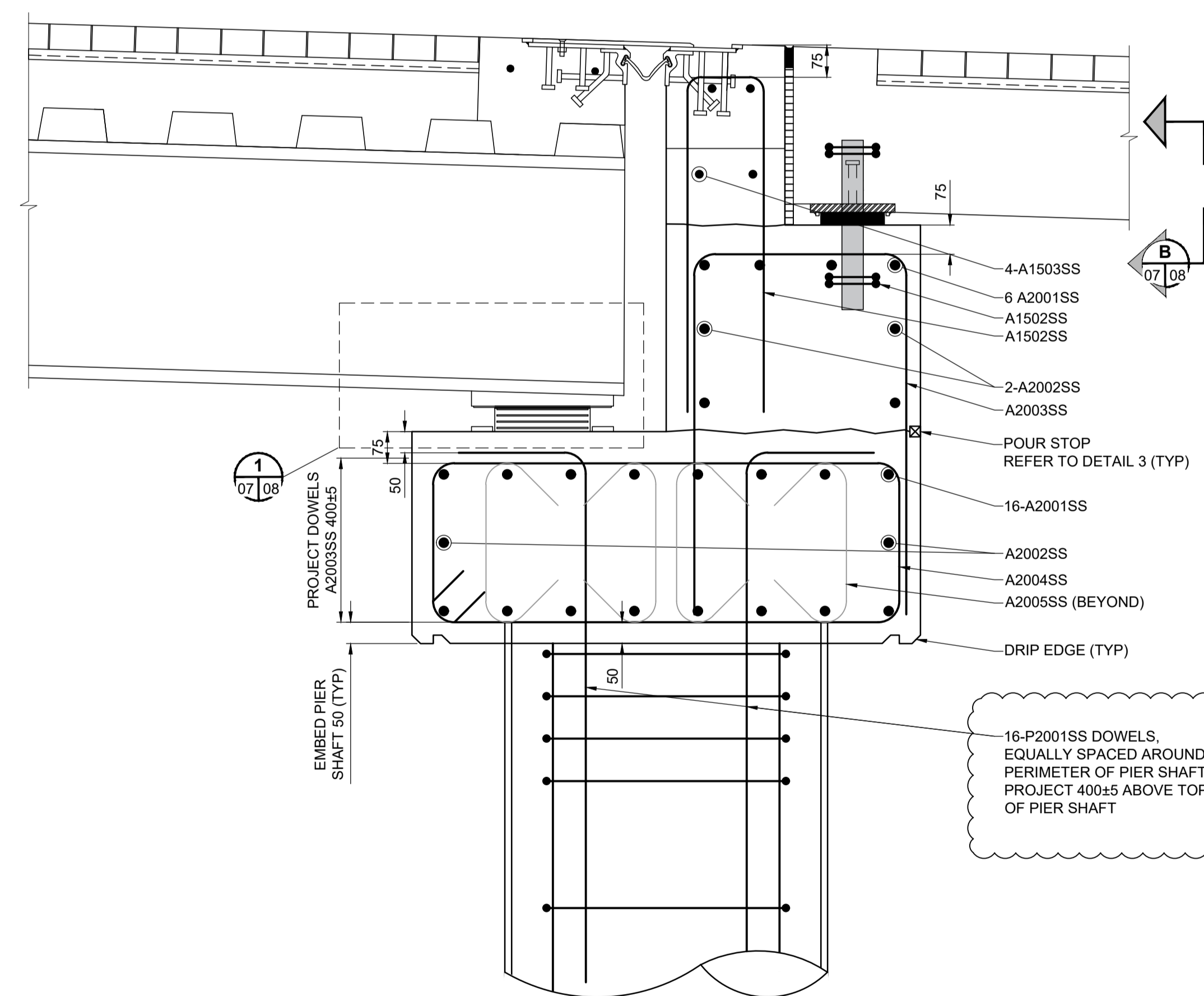
SU2 & SU9 REAR ELEVATION
SCALE: 1:25



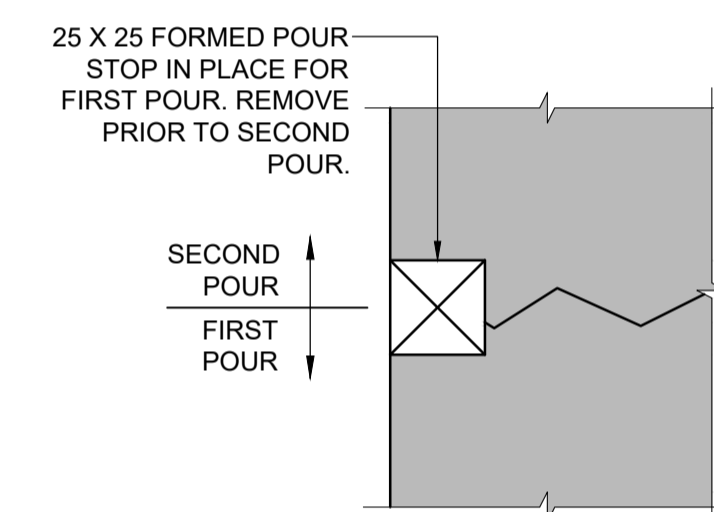
SU2 & SU9 SECTION
SCALE: 1:15



SU2 & SU9 FRONT ELEVATION REINFORCING
SCALE: 1:10



SECTION - SU2 AND SU9
SCALE: 1:10



DETAIL
SCALE: 1:2

DETAIL - DRIP EDGE
SCALE: 1:2



METRIC
WHOLE NUMBERS INDICATE MILLIMETRES
DECIMALIZED NUMBERS INDICATE METRES

LOCATION APPROVED
UNDERGROUND STRUCTURES

SUPR. U/G STRUCTURES COMMITTEE DATE

NOTE:
LOCATION OF UNDERGROUND STRUCTURES AS SHOWN ARE BASED ON THE BEST INFORMATION AVAILABLE BUT NO GUARANTEE IS GIVEN THAT ALL EXISTING UTILITIES ARE SHOWN OR THAT THE GIVEN LOCATIONS ARE EXACT. CONFIRMATION OF EXISTENCE AND EXACT LOCATION OF ALL SERVICES MUST BE OBTAINED FROM THE INDIVIDUAL UTILITIES BEFORE PROCEEDING WITH CONSTRUCTION.

1	ISSUED FOR ADDENDUM	17/10/27	DAN
0	ISSUED FOR TENDER	17/10/13	DAN
No.	REVISIONS	YYMMDD	BY

BM	ELEV

MORRISON HERSHFIELD

DESIGNED BY	TN	CHECKED BY	DAN
DRAWN BY	AH	APPROVED BY	BE
HOR SCALE		AS SHOWN	
VERT SCALE		AS SHOWN	
DATE		17/10/13	

RELEASED FOR CONSTRUCTION

PROFESSIONAL'S SEAL

PROVINCE OF MANITOBA

D.A. NEILSON
Member
37248

REGISTERED PROFESSIONAL ENGINEER

CONSULTANT FILE NAME
5170563 - DD07 - SU2 & SU9.dwg

THE CITY OF WINNIPEG
PUBLIC WORKS DEPARTMENT
ENGINEERING DIVISION

TACHE PROMENADE TREETOP LOOKOUT

SU2 AND SU9
PIER CAPS

CITY DRAWING NUMBER
B250-17-33

SHEET 33 OF 70

DRAWING No. REV
07 1

BID OPPORTUNITY No. 754-2017