

PLAN - BEARING LAYOUT

SCALE: 1:50

NOTE: WHEN BEARINGS REACH THE END OF THEIR SERVICE LIFE AND REPLACEMENT IS REQUIRED, SLAB MAY BE LIFTED BY SUPPORTING JACKS ON TEMPORARY SCAFFOLDING OR TIMBER CRIBBING ERECTED ON THE RIVERBANK BELOW THE JUMP SLABS.

BEARING AND GIRDER ERECTION PROCEDURES:

- ADJUSTMENTS FOR TEMPERATURE SHALL BE IN ACCORDANCE WITH THE BEARING SETTING CHARTS. "X" IS THE OFFSET DISTANCE BETWEEN CENTRE OF BEARING PAD AND CENTRE OF TOP BEARING PLATE.
  - POSITIVE "X" MEANS MOVING SOLE PLATES TOWARDS THE ABUTMENT BACKWALL.
- APPLY GALVALLOY TO ALL FIELD WELDS AND AREAS WHERE GALVANIZING HAS BEEN DAMAGED.

LAMINATED ELASTOMERIC BEARING LOADS AND MOVEMENT TABLE

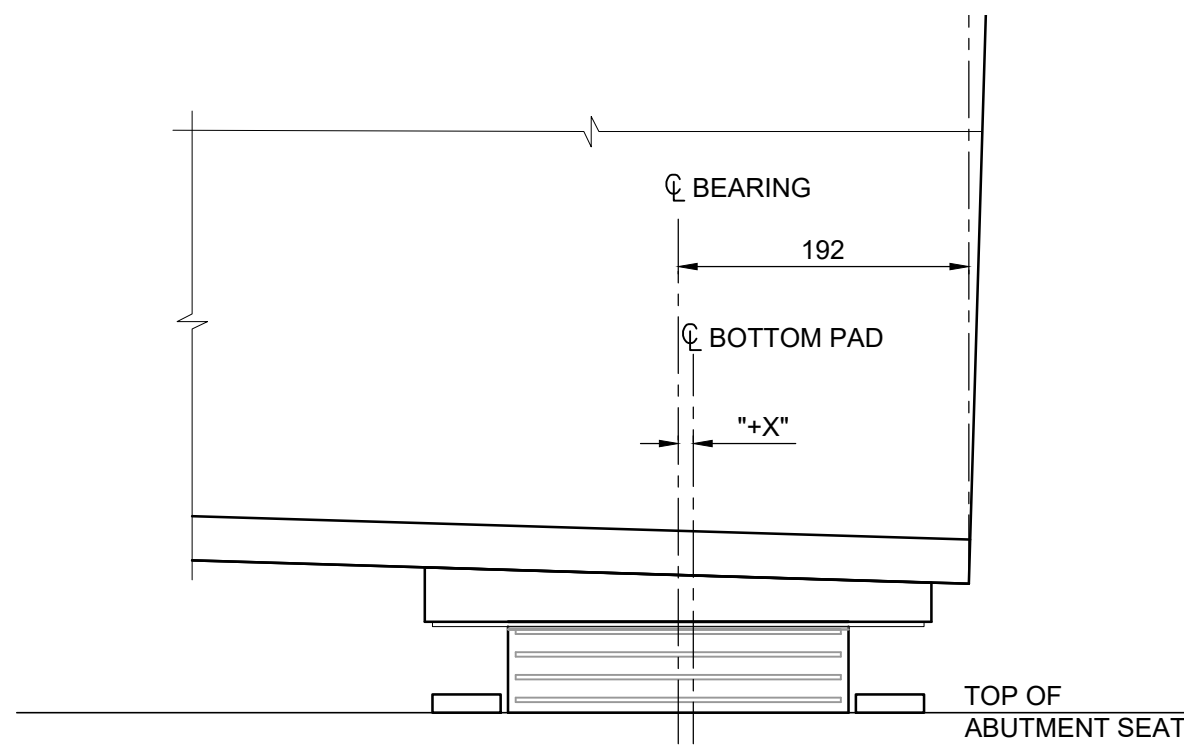
LOCATION	SHEAR BLOCK GAP WIDTH "DIM A" (mm)	LIMIT STATE	VERTICAL DEAD (kN)	VERTICAL LIVE (kN)	HORIZONTAL LONGITUDINAL (kN)	HORIZONTAL TRANSVERSE (kN)	MOVEMENT	
							LONGITUDINAL (MM)	LIVE LOAD ROTATION (RAD)
SU.2 SE (EXP)	40	SLS	61	40	11	6	+42 TO -61	0.0055
		ULS	77	65	14	8.50	+42 TO -61	0.0059
SU.2 SW (EXP)	30	SLS	53	35	12	6	+42 TO -61	0.0054
		ULS	67	56	16	8.50	+42 TO -61	0.0057
SU.9 NE (EXP)	30	SLS	64	41	13	8.50	+27 TO -74	0.0057
		ULS	81	89	16.5	12	+27 TO -74	0.0063
SU.9 NW (EXP)	40	SLS	81	54	16.5	8.50	+27 TO -74	0.006
		ULS	103	89	21.5	12	+27 TO -74	0.0067

BEARING SETTING TABLE

TEMPERATURE (°C)	-35	-25	-15	-5	0	5	15	25	35
'X' DISPLACEMENT SU.2 & SU.9 (mm)	-18	-13	-8	-3	0	3	8	13	18

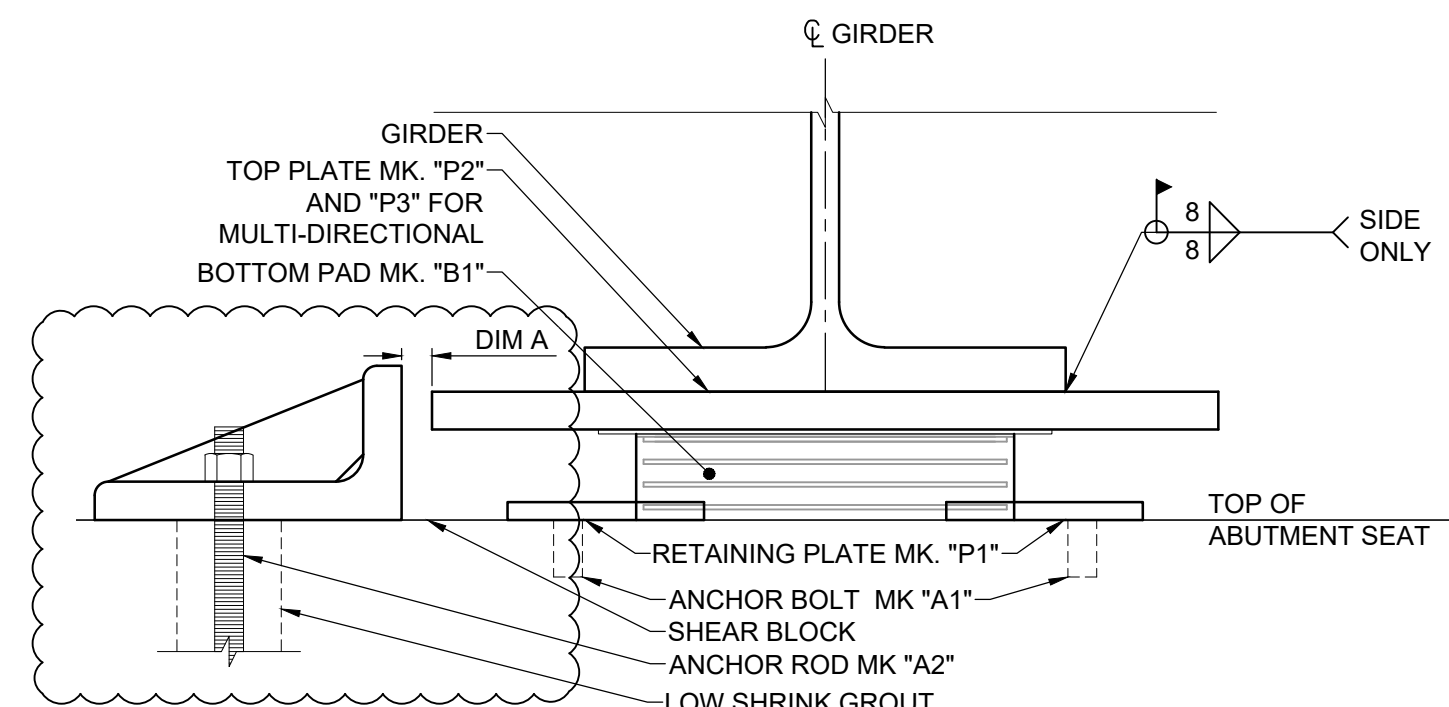
PLAIN ELASTOMERIC STRIP BEARING LOADS AND MOVEMENT TABLE

LOCATION	LIMIT STATE	VERTICAL DEAD (kN/M)	VERTICAL LIVE (kN/M)	HORIZONTAL LONGITUDINAL (kN/M)	MOVEMENT	
					LONGITUDINAL (MM)	LIVE LOAD ROTATION (RAD)
SU.1	SLS	44	40	7	-	0.00492
	ULS	55	68	8.5	-	0.00746
SU.2 (PINNED)	SLS	32	40	5	-	0.00475
	ULS	40.5	68	6	-	0.00725
SU.9 (PINNED)	SLS	30.5	43	4.5	-	0.00432
	ULS	38.5	73	6	-	0.00669
SU.10	SLS	39.5	43	6	-	0.00445
	ULS	50	73	7.5	-	0.00687



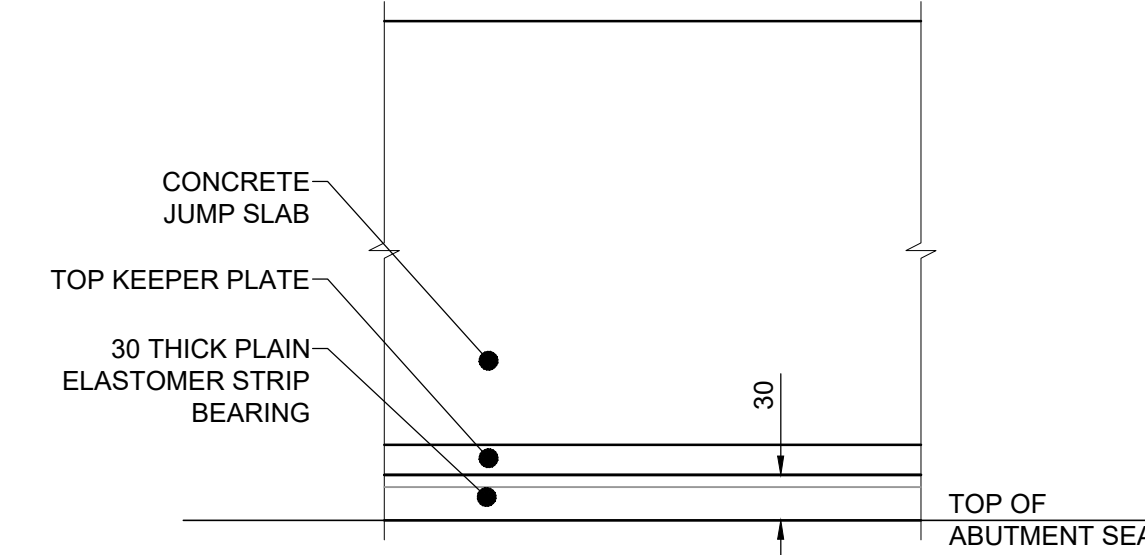
DETAIL - BEARING SET SCHEMATIC

SCALE: 1:5



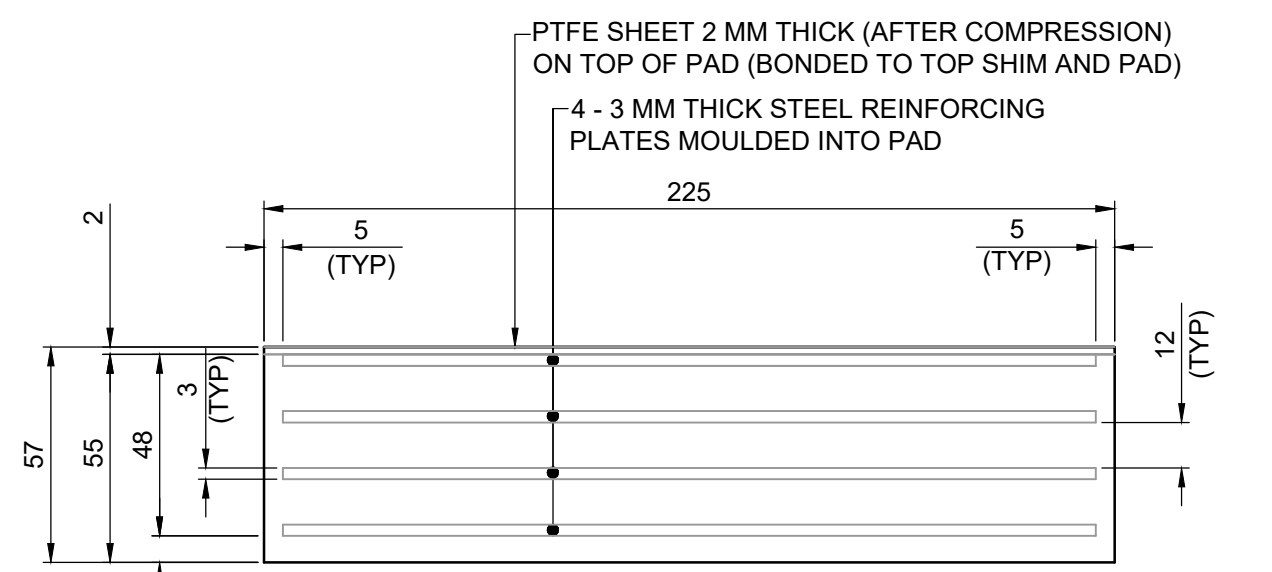
SECTION - EXPANSION BEARING

SCALE: 1:5



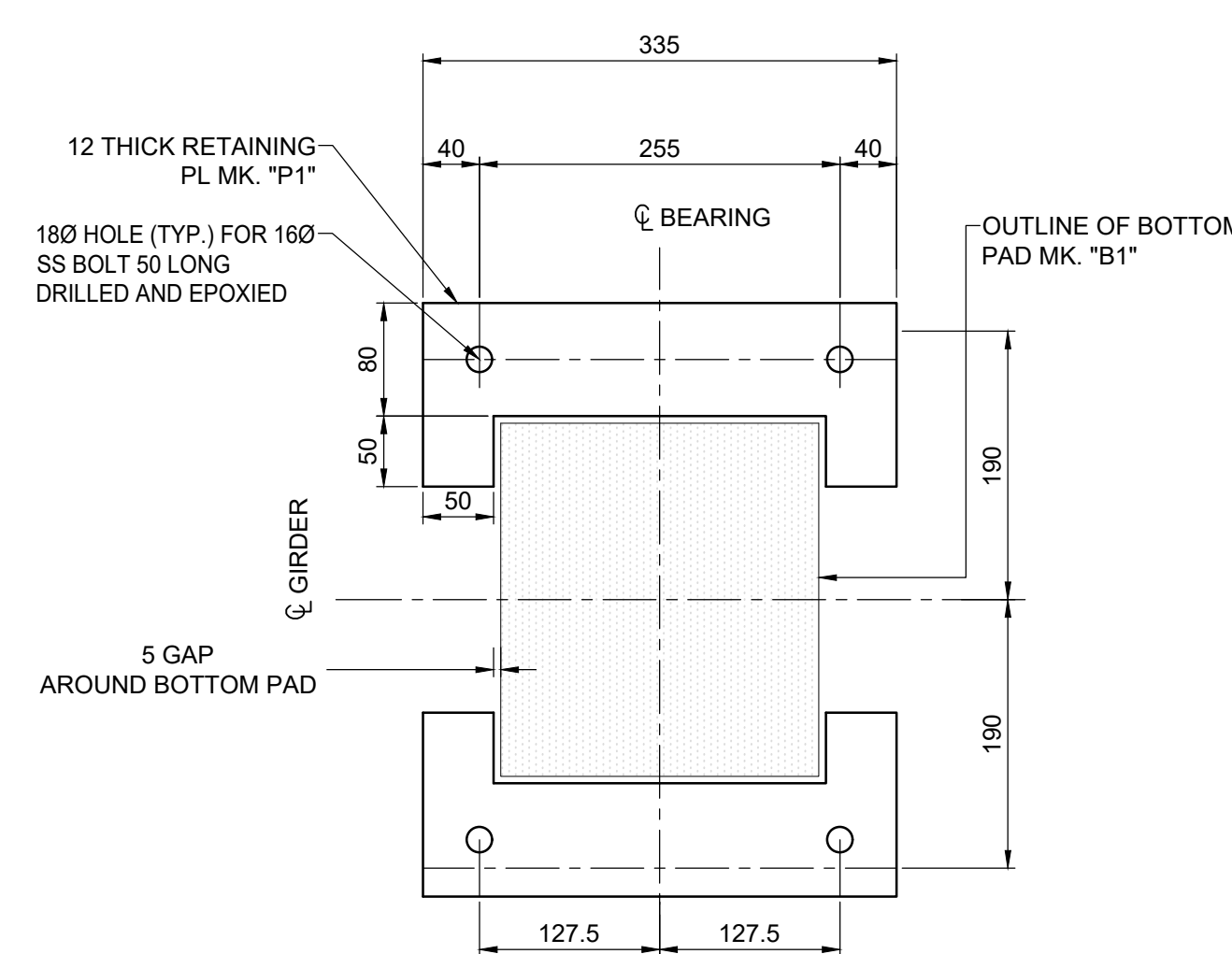
SECTION - PLAIN ELASTOMER STRIP

SCALE: 1:5



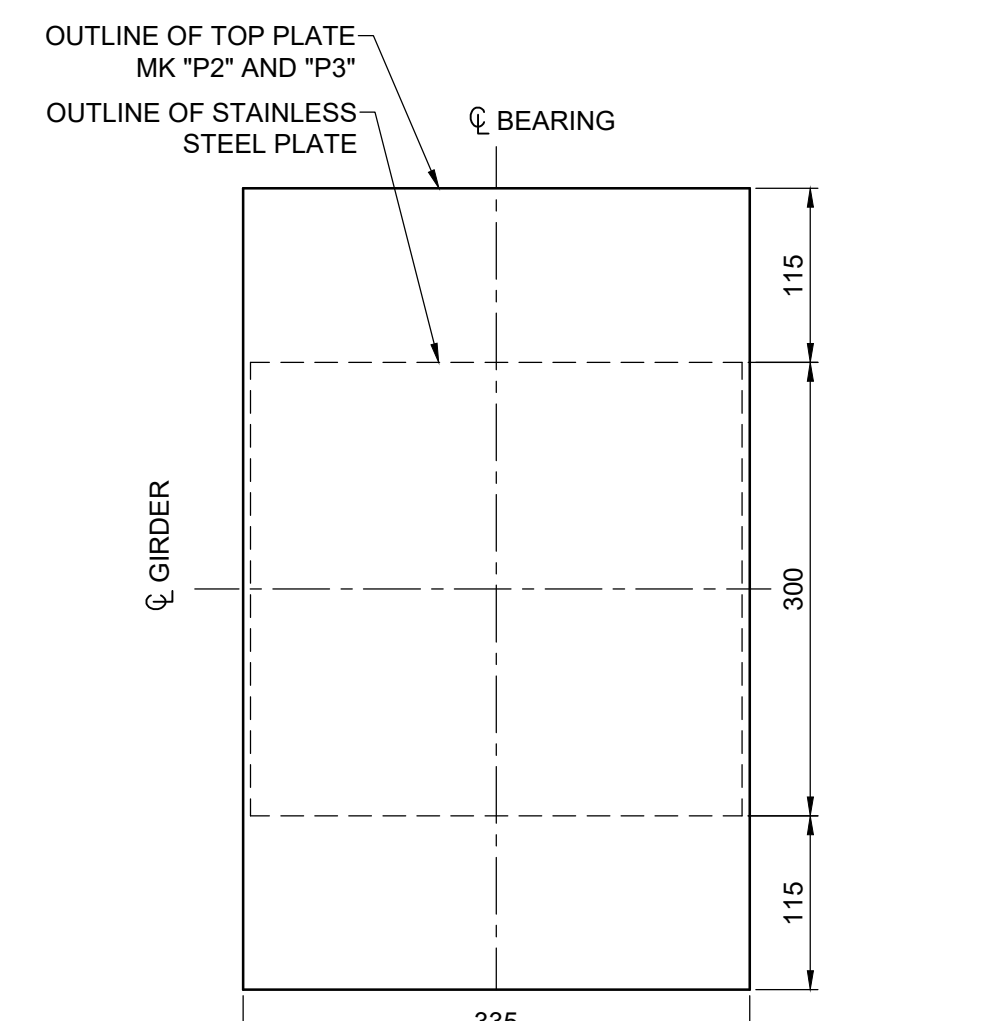
DETAIL - BOTTOM PAD MK "B1" ELEVATION

SCALE: 1:2



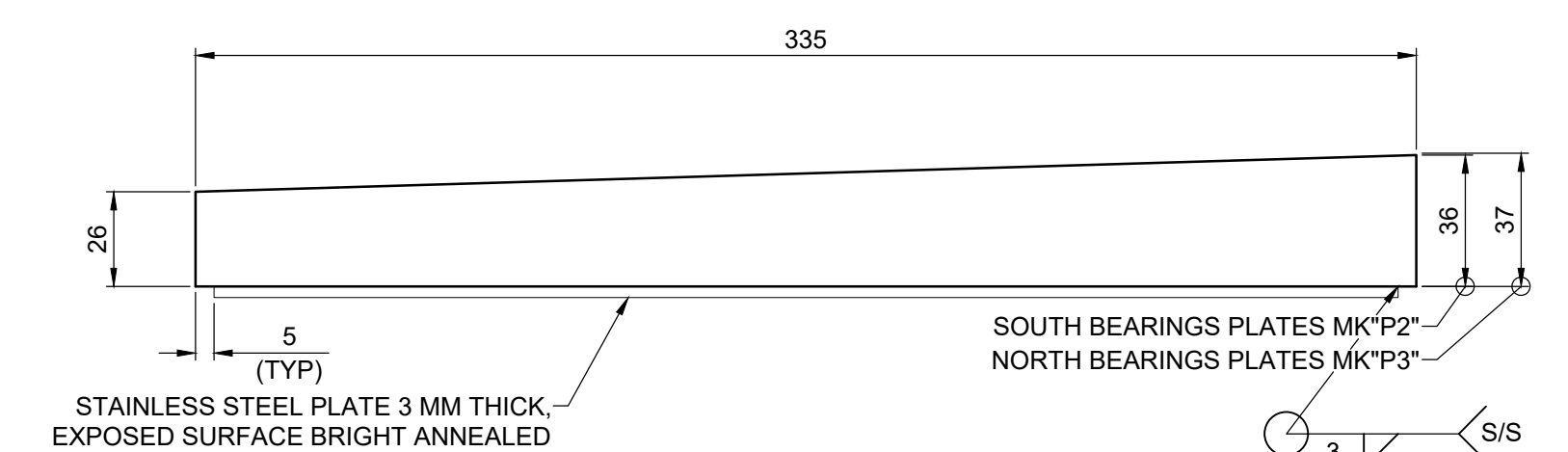
DETAIL - RETAINING PLATE MK "P1"

SCALE: 1:5



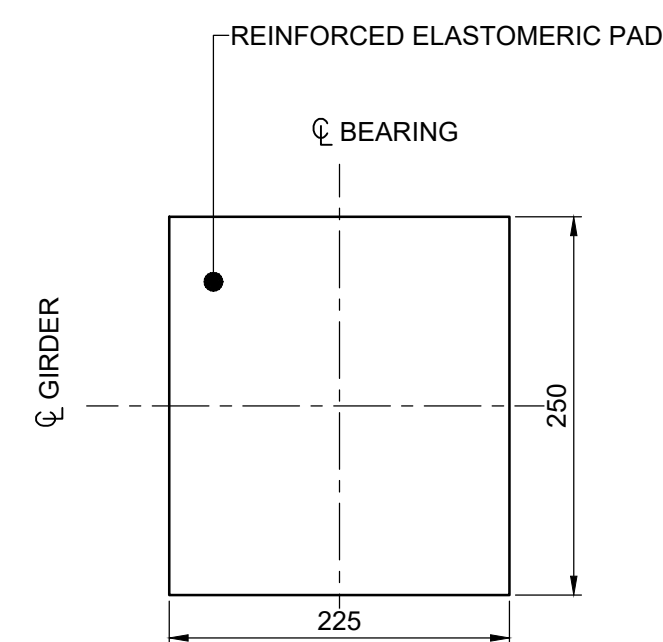
DETAIL - TOP PLATE "P2" AND "P3"

SCALE: 1:2



DETAIL - TOP PLATE "P2" AND "P3"

SCALE: 1:2



DETAIL - BOTTOM PAD MK "B1"

SCALE: 1:2

LOCATION APPROVED UNDERGROUND STRUCTURES

DATE \_\_\_\_\_

NOTE: LOCATION OF UNDERGROUND STRUCTURES AS SHOWN ARE BASED ON THE BEST INFORMATION AVAILABLE BUT NO GUARANTEE IS GIVEN THAT ALL EXISTING UTILITIES ARE SHOWN OR THAT THE GIVEN LOCATIONS ARE EXACT. CONFIRMATION OF EXISTENCE AND EXACT LOCATION OF ALL SERVICES MUST BE OBTAINED FROM THE INDIVIDUAL UTILITIES BEFORE PROCEEDING WITH CONSTRUCTION.



**METRIC**  
WHOLE NUMBERS INDICATE MILLIMETRES  
DECIMALIZED NUMBERS INDICATE METRES

No.	REVISIONS	DATE	BY
1	ISSUED FOR ADDENDUM 1	17/10/27	DAN
0	ISSUED FOR TENDER	17/10/13	DAN
		YY/MM/DD	BY

<b>MORRISON HERSHFIELD</b>	
DESIGNED BY: TN	CHECKED BY: DAN
DRAWN BY: AH	APPROVED BY: BE
RELEASED FOR CONSTRUCTION	
HOR SCALE: AS SHOWN	VERT SCALE: AS SHOWN
DATE: 17/10/13	DATE: _____

PROFESSIONAL'S SEAL
PROVINCE OF MANITOBA
D.A. NEILSON
Member 37248
REGISTERED PROFESSIONAL ENGINEER
CONSULTANT FILE NAME
S170563 - DD08809 - BRG DT 1.dwg

BID OPPORTUNITY No. 754-2017

**THE CITY OF WINNIPEG**  
PUBLIC WORKS DEPARTMENT  
ENGINEERING DIVISION

**TACHE PROMENADE TREETOP LOOKOUT**

CITY DRAWING NUMBER: B250-17-34  
SHEET 34 OF 70  
DRAWING No. 08  
REV 1

BEARING DETAILS - 1